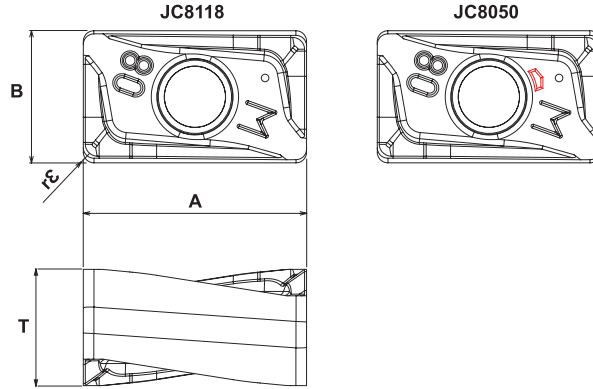


INSERTS

ZNGU type



Specifications - Metric

CATALOG NUMBER	DIMENSIONS					PVD Coated	
	TOLERANCE	A	B	T	rE	JC8050	JC8118
ZNGU170908ZER-PM	G	16.9	10	8.8	0.8	•	•
ZNGU170916ZER-PM	G	16.9	10	8.8	1.6	•	•