

The Zebra GS Series Disk Skimmer automatically separates and removes tramp oils which cause bacterial growth and coolant destruction. Since coolant is expensive to purchase and dispose of, the GS Series reduces your costs associated with spent coolant.

MOTOR SPECIFICATIONS - CONTINUOUS DUTY

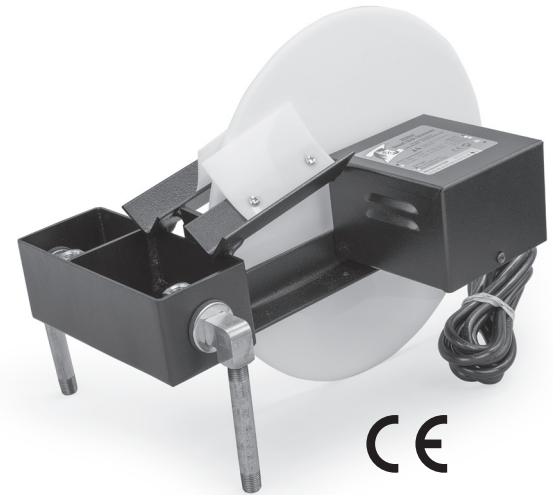
- 110v, 1 phase, 60Hz, .43 amps, rated at 10K hrs. MTBF
- 7 rpm, fan-cooled
- 3-wire ground cord
- Non drip-proof motor
- Under normal conditions, the unit needs to be operated just a few hours per day

WARNINGS

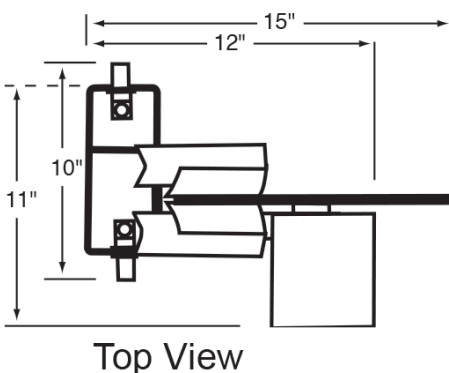
- For lifting oil from machine sumps only
- Excessive oil flow will overflow the reservoir
- Do not immerse motor in any liquid
- Shield motor from spray
- Do not use in explosive atmosphere
- Per NEC regulations, a ground fault interrupt must be installed

WARRANTY

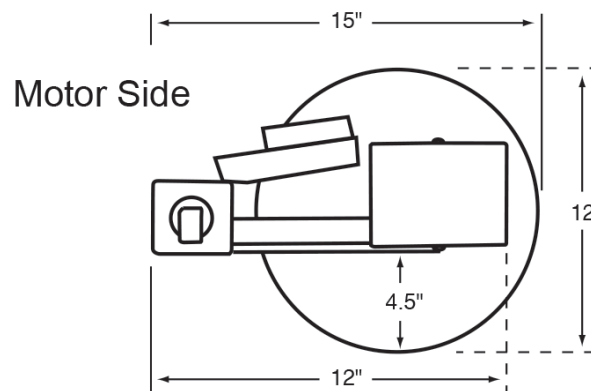
- Wipers and disks are warrantied for life to end users. Must replace wipers or disks once a year for warranty to remain in effect. Contact us for free ones. (Disk and wipers can also be purchased as spares for other units on zebraskimmers.com)
- All other parts are warrantied for a period of 90-days.



For any technical questions or product support, please contact us at 440.528.0699



Top View



Motor Side

Motor: .06 amp, 60Hz 110v 1ph 6 rpm continuous duty.

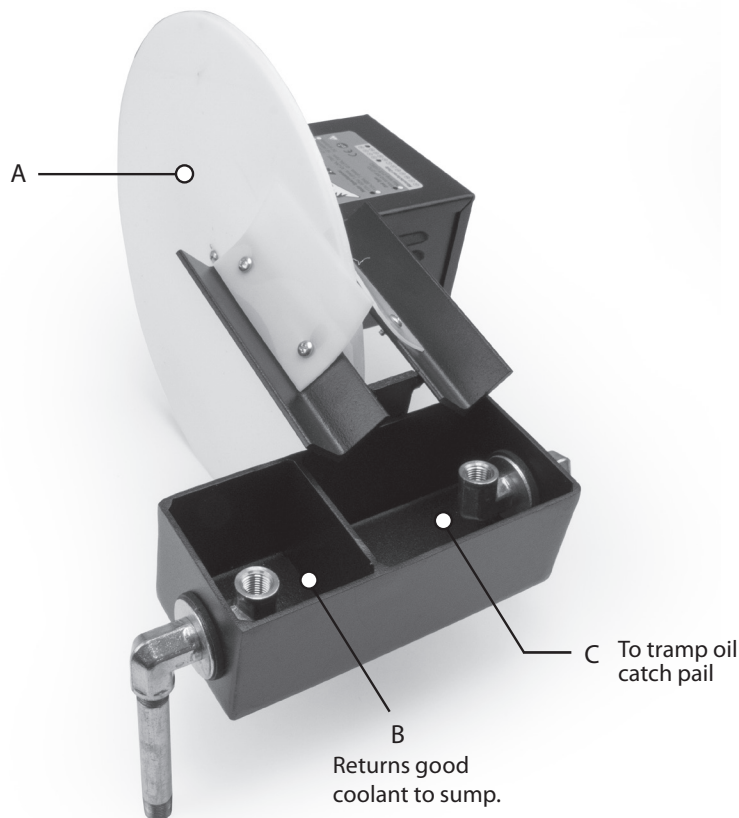


Zebra Skimmers Corporation

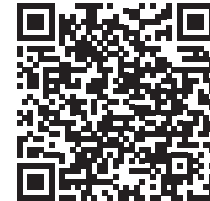
27000 Richmond Road #1 | Solon, OH 44139 | Toll Free: 888.249.4855 | Fax: 440-349-1211
sales@zebraskimmers.com | www.zebraskimmers.com

INSTALLATION INSTRUCTIONS

1. Before Installation, you must attach the motor to the frame. Using the 3/4" 10-32 screws, which are partially attached to the motor so you can see how the motor attaches to the frame, mount the motor to the unit. **DO NOT OVERTIGHTEN.**
2. Place the unit on a table or level surface for working. You may want to clamp it down because the tank will hang over the edge while you are putting the disk on.
3. Remove the (2) #8 screws from the collar on the motor shaft.
4. Slide the disk between the wiper blades and mount the disk to the motor shaft via the center hole. Refer to Figure below (A).
5. Replace and tighten the #8 screws through the disk into the collar.
6. Mount the unit over the coolant tank. To verify the unit is level for proper operation, keep adding coolant until it forms a lip around the coolant elbow rim (smaller of two reservoirs). Refer to Figure below (B). The coolant should be about 1/16" (2mm) beneath the oil rim outlet. Refer to Figure below (C).
8. If the level is wrong, shim the appropriate end of the tank with shims no thicker than 40 mils (1mm) each. If the coolant is too close to the oil outlet, shim the oil side up.
9. Use the 4" nipple pipe fittings to direct the oil side to a discharge container, and the clean coolant back to the sump. NOTE: The brass fittings on the inside of each of the reservoirs need to be kept parallel to the top of the separation tank.
10. Plug the unit into a 110v outlet and let it work! CAUTION: This unit is only designed to handle the small amounts of oil caused under normal conditions - approximately 2 qts. oil output per hour.



For any technical questions or product support, please contact us at 440.528.0699



Scan to order replacement parts.

Part Number	Description
DISK-A300	Acrylic Disk, 12" dia., 3/16" thick
DISK-H300	High-Impact Disk, 12" dia, 1/4" thick
DISK-H460	High-Impact Disk, 18" dia, 1/4" thick
DISK-H610	High-Impact Disk, 24" dia, 1/4" thick
DISK-S300	High-Temp Disk, 12" dia, 14 gage, 304 SS
DISK-W300	High-Temp Disk, 12" dia, 1/2" thick
DISK-W460	High-Temp Disk, 18" dia, 1/2" thick
DISK-W610	High-Temp Disk, 24" dia, 1/2" thick
LXWIP	Wiper Set for disk skimmers, 2 per set
Replacement Motors	
MG02A1	Motor, 115v, 2rpm, Assembly w/fan
MG02A2	Motor, 115v, 2rpm, RAW w/fan
MG06E1	Motor, 220v, 6rpm, Assembly w/fan
MG06E2	Motor, 220v, 6rpm, RAW w/fan
MG07A1	Motor, 115v, 7rpm, Assembly w/fan
MG07A2	Motor, 115v, 7rpm, RAW w/fan



Zebra Skimmers Corporation

27000 Richmond Road #1 | Solon, OH 44139 | Toll Free: 888.249.4855 | Fax: 440-349-1211
 sales@zebraskimmers.com | www.zebraskimmers.com