



SPECIFICATIONS & PARTS

Zebra® Simple Disk Skimmer

L Series - Technical Specifications

Shown: LH300 model w/12" (300mm) disk
 Motor: Refer to charts below
 Mounting Holes: 7/32" (5.5mm), 2.5" (63.5mm) between centers
 Discharge Hose: None needed (discharge trough to discharge container)
 Shipping Weight: 9 lbs. (4 kg)

L Series - Replacement Parts & Accessories

Replacement Disks, Wipers, and Collars

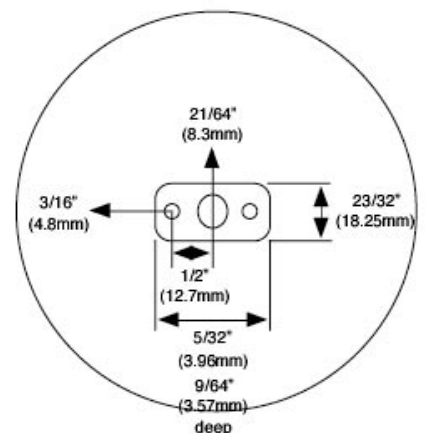
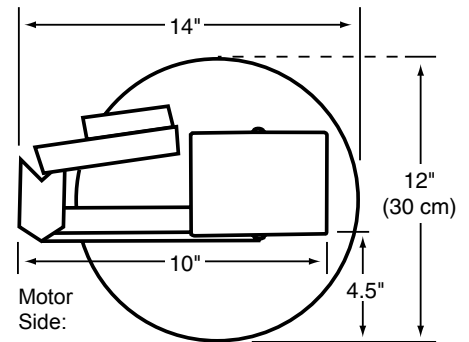
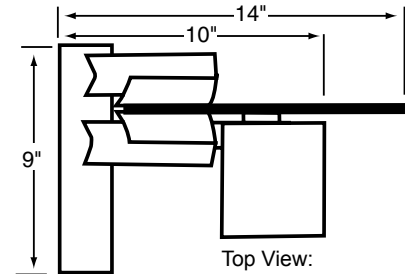
LH Series	DISK-H300	12" (300mm) Disk, 1/4" (6.35mm) thick, temps to 90°F (32°C)
	DISK-H460	18" (460mm) Disk, 1/4" (6.35mm) thick, temps to 90°F (32°C)
	DISK-H610	24" (610mm) Disk, 1/4" (6.35mm) thick, temps to 90°F (32°C)
	LXWIP	Wiper set for all Zebra model disk skimmers
LW Series	LXCOL-A	Aluminum collar for disk skimmers, 5/16" (7.9mm) opening
	DISK-W300	12" (300mm) Disk, 1/2" (12.7mm) thick, temps to 212°F (100°C)
	DISK-W460	18" (460mm) Disk, 1/2" (12.7mm) thick, temps to 212°F (100°C)
	DISK-W610	24" (610mm) Disk, 1/2" (12.7mm) thick, temps to 212°F (100°C)
	LXWIP	Wiper set for all Zebra model disk skimmers
	LXCOL-B	Stainless steel collar for disk skimmers, 5/16" (7.9mm) opening

Replacement Motors: Refer to charts below

XETIMER Electrical Timer, 24 hour, 3-settings per day

Model Number	Motor Number
LH300	MG07A1
LH300E	MG06E1
LH460	MG07A1
LH460E	MG06E1
LH610	MG02A1
LH610E	MG02A1
LW300	MG07A1
LW300E	MG06E1
LW460	MG07A1
LW460E	MG06E1
LW610	MG02A1
LW610E	MG02A1

Motor Number	Volts	Hz	LRA	RPM	Watts	HP	Fan
MG07A1	115	60	0.43	7	49	0.065	Y
MG02A1	115	60	0.43	2	49	0.065	Y
MG06E1	220	50	0.22	6	48	0.064	Y



Zebra Skimmers Corporation
 27000 Richmond Rd, Unit 1
 Solon, OH 44139
www.ZebraSkimmers.com

Toll Free 888-249-4855
 Phone: 440.349.0141
 Fax: 440.349.1211

© Zebra Skimmers Corp. All rights reserved.