



Operating Instructions and Parts Manual

7x10-inch Belt Driven Mitering Band Saw

Model HVBS-710S



JET
427 New Sanford Road
LaVergne, Tennessee 37086
Ph.: 800-274-6848
www.jettools.com

Part No. M-413451
Revision B3 01/2021
Copyright © 2016 JET

1.0 Warranty and Service

JET warrants every product it sells against manufacturers' defects. If one of our tools needs service or repair, please contact Technical Service by calling 1-800-274-6846, 8AM to 5PM CST, Monday through Friday.

Warranty Period

The general warranty lasts for the time period specified in the literature included with your product or on the official JET branded website.

- JET products carry a limited warranty which varies in duration based upon the product. (See chart below)
- Accessories carry a limited warranty of one year from the date of receipt.
- Consumable items are defined as expendable parts or accessories expected to become inoperable within a reasonable amount of use and are covered by a 90 day limited warranty against manufacturer's defects.

Who is Covered

This warranty covers only the initial purchaser of the product from the date of delivery.

What is Covered

This warranty covers any defects in workmanship or materials subject to the limitations stated below. This warranty does not cover failures due directly or indirectly to misuse, abuse, negligence or accidents, normal wear-and-tear, improper repair, alterations or lack of maintenance. JET woodworking machinery is designed to be used with Wood. Use of these machines in the processing of metal, plastics, or other materials outside recommended guidelines may void the warranty. The exceptions are acrylics and other natural items that are made specifically for wood turning.

Warranty Limitations

Woodworking products with a Five Year Warranty that are used for commercial or industrial purposes default to a Two Year Warranty. Please contact Technical Service at 1-800-274-6846 for further clarification.

How to Get Technical Support

Please contact Technical Service by calling 1-800-274-6846. **Please note that you will be asked to provide proof of initial purchase when calling.** If a product requires further inspection, the Technical Service representative will explain and assist with any additional action needed. JET has Authorized Service Centers located throughout the United States. For the name of an Authorized Service Center in your area call 1-800-274-6846 or use the Service Center Locator on the JET website.

More Information

JET is constantly adding new products. For complete, up-to-date product information, check with your local distributor or visit the JET website.

How State Law Applies

This warranty gives you specific legal rights, subject to applicable state law.

Limitations on This Warranty

JET LIMITS ALL IMPLIED WARRANTIES TO THE PERIOD OF THE LIMITED WARRANTY FOR EACH PRODUCT. EXCEPT AS STATED HEREIN, ANY IMPLIED WARRANTIES OF MERCHANTABILITY AND FITNESS FOR A PARTICULAR PURPOSE ARE EXCLUDED. SOME STATES DO NOT ALLOW LIMITATIONS ON HOW LONG AN IMPLIED WARRANTY LASTS, SO THE ABOVE LIMITATION MAY NOT APPLY TO YOU.

JET SHALL IN NO EVENT BE LIABLE FOR DEATH, INJURIES TO PERSONS OR PROPERTY, OR FOR INCIDENTAL, CONTINGENT, SPECIAL, OR CONSEQUENTIAL DAMAGES ARISING FROM THE USE OF OUR PRODUCTS. SOME STATES DO NOT ALLOW THE EXCLUSION OR LIMITATION OF INCIDENTAL OR CONSEQUENTIAL DAMAGES, SO THE ABOVE LIMITATION OR EXCLUSION MAY NOT APPLY TO YOU.

JET sells through distributors only. The specifications listed in JET printed materials and on official JET website are given as general information and are not binding. JET reserves the right to effect at any time, without prior notice, those alterations to parts, fittings, and accessory equipment which they may deem necessary for any reason whatsoever. JET® branded products are not sold in Canada by JPW Industries, Inc.

Product Listing with Warranty Period

90 Days – Parts; Consumable items
1 Year – Motors; Machine Accessories
2 Year – Metalworking Machinery; Electric Hoists, Electric Hoist Accessories; Woodworking Machinery used for industrial or commercial purposes
5 Year – Woodworking Machinery
Limited Lifetime – JET Parallel clamps; VOLT Series Electric Hoists; Manual Hoists; Manual Hoist Accessories; Shop Tools; Warehouse & Dock products; Hand Tools; Air Tools

NOTE: JET is a division of JPW Industries, Inc. References in this document to JET also apply to JPW Industries, Inc., or any of its successors in interest to the JET brand.

2.0 Table of Contents

Section	Page
1.0 Warranty and Service.....	2
2.0 Table of Contents.....	3
3.0 Safety Warnings.....	4
4.0 About this manual.....	5
5.0 Features.....	6
6.0 Specifications.....	6
7.0 Set-Up and Assembly.....	8
7.1 Unpacking and cleanup.....	8
7.2 Shipping contents.....	8
7.3 Assembly.....	9
7.4 Vertical cutting plate.....	10
7.5 Vertical support post.....	10
7.6 Coolant system.....	11
8.0 Electrical connections.....	11
8.1 Grounding instructions.....	11
8.2 Voltage conversion.....	12
8.3 Extension cords.....	12
9.0 Adjustments.....	13
9.1 Squaring blade to table.....	13
9.2 Squaring blade to vise.....	13
9.3 Vise positioning.....	13
9.4 Miter cuts.....	14
9.5 Setting feed rate.....	14
9.6 Counterbalance spring.....	14
9.7 Blade installation/replacement.....	14
9.8 Blade tension.....	15
9.9 Blade tracking.....	15
9.10 Test cutting to verify adjustment.....	16
9.11 Setting blade speed.....	17
9.12 Blade guide adjustment.....	17
9.13 Chip brush.....	18
9.14 Limit switch.....	18
10.0 Operating controls.....	18
11.0 Operation.....	18
11.1 Pre-Operation inspection.....	18
11.2 Blade break-in procedure.....	18
11.3 General operating procedure.....	19
11.4 Evaluating cutting efficiency.....	19
12.0 Maintenance.....	19
12.1 Coolant level.....	20
12.2 Gear box.....	20
13.0 Troubleshooting the HVBS-710S.....	20
14.0 Replacement Parts.....	22
14.1.1 HVBS-710S Table and Stand Assembly – Exploded View.....	23
14.1.2 HVBS-710S Bow Assembly – Exploded View.....	24
14.1.3 HVBS-710S Assembly – Parts List.....	25
15.0 Electrical Connections for HVBS-710S.....	30



3.0 Safety Warnings

1. Read and understand the entire owner's manual before attempting assembly or operation.
2. Read and understand the warnings posted on the machine and in this manual. Failure to comply with all of these warnings may cause serious injury.
3. Replace the warning labels if they become obscured or removed.
4. This band saw is designed and intended for use by properly trained and experienced personnel only. If you are not familiar with the proper and safe operation of a band saw, do not use until proper training and knowledge have been obtained.
5. Do not use this band saw for other than its intended use. If used for other purposes, JET disclaims any real or implied warranty and holds itself harmless from any injury that may result from that use.
6. Always wear ANSI approved safety glasses/face shields while using this band saw. *Everyday eyeglasses only have impact resistant lenses; they are not safety glasses.*
7. Before operating this machine, remove tie, rings, watches and other jewelry, and roll sleeves up past the elbows. Remove all loose clothing and confine long hair. Non-slip footwear or anti-skid floor strips are recommended.
8. Wear ear protectors (plugs or muffs) during extended periods of operation.
9. Do not operate this machine while tired or under the influence of drugs, alcohol or any medication.
10. Make certain the switch is in the **OFF** position before connecting the machine to the power supply.
11. Make certain the machine is properly grounded.
12. Make all machine adjustments or maintenance with the machine unplugged from the power source.
13. Remove adjusting keys and wrenches. Form a habit of checking to see that keys and adjusting wrenches are removed from the machine before turning it on.
14. Keep safety guards in place at all times when the machine is in use. If removed for maintenance purposes, use extreme caution and replace the guards immediately after maintenance is complete.
15. Make sure workpiece is securely clamped in the vise. Never use your hand to hold the workpiece.
16. Check coolant level frequently. Replace dirty or weak coolant.
17. Check damaged parts. Before further use of the machine, a guard or other part that is damaged should be carefully checked to determine that it will operate properly and perform its intended function. Check for alignment of moving parts, binding of moving parts, breakage of parts, mounting and any other conditions that may affect its operation. A guard or other part that is damaged should be properly repaired or replaced.
18. Inspect blade for cracks, wear or missing teeth. Replace blade if these symptoms are found.
19. Provide for adequate space surrounding work area and non-glare, overhead lighting.
20. Keep the floor around the machine clean and free of scrap material, oil and grease.
21. Keep visitors a safe distance from the work area. **Keep children away.**
22. Make your workshop child proof with padlocks, master switches or by removing starter keys.
23. Give your work undivided attention. Looking around, carrying on a conversation and "horse-play" are careless acts that can result in serious injury.
24. Maintain a balanced stance at all times so that you do not fall or lean against the blade or other moving parts. Do not overreach or use excessive force to perform any machine operation.
25. Use the right tool at the correct speed and feed rate. Do not force a tool or attachment to do a job for which it was not designed. The right tool will do the job better and more safely.
26. Use recommended accessories; improper accessories may be hazardous.
27. Maintain tools with care. Keep blades sharp and clean for the best and safest performance. Follow instructions for lubricating and changing accessories.
28. Make sure the workpiece is securely attached or clamped to the table. Never use your hand to hold the work piece.
29. Turn off the machine and disconnect from power before cleaning. Use a brush to remove chips or swarf — do not use your hands.
30. Do not stand on the machine. Serious injury could occur if the machine tips over.

31. Never leave the machine running unattended. Turn the power off and do not leave the machine until it comes to a complete stop.
32. Remove loose items and unnecessary work pieces from the area before starting the machine.

⚠ WARNING: This product can expose you to chemicals including titanium dioxide which is known to the State of California to cause cancer, and lead which is known to the State of California to cause cancer and birth defects or other reproductive harm. For more information go to <http://www.p65warnings.ca.gov>.

⚠ WARNING: Some dust, fumes and gases created by power sanding, sawing, grinding, drilling, welding and other construction activities contain chemicals known to the State of California to cause cancer and birth defects or other reproductive harm. Some examples of these chemicals are:

- lead from lead based paint
- crystalline silica from bricks, cement and other masonry products
- arsenic and chromium from chemically treated lumber

Your risk of exposure varies, depending on how often you do this type of work. To reduce your exposure to these chemicals, work in a well-ventilated area and work with approved safety equipment, such as dust masks that are specifically designed to filter out microscopic particles. For more information go to <http://www.p65warnings.ca.gov/> and <http://www.p65warnings.ca.gov/wood>.

Familiarize yourself with the following safety notices used in this manual.

⚠ CAUTION This means that if precautions are not heeded, it may result in minor injury and/or possible machine damage.

⚠ WARNING This means that if precautions are not heeded, it may result in serious or even fatal injury.

4.0 About this manual

This manual is provided by JET covering the safe operation and maintenance procedures for a JET Model HVBS-710S Band Saw. This manual contains instructions on installation, safety precautions, general operating procedures, maintenance instructions and parts breakdown. Your machine has been designed and constructed to provide consistent, long-term operation if used in accordance with the instructions set forth in this document.

This manual is not intended to be an exhaustive guide to band saw operations, stock selection, etc. Consult a machinery handbook and/or experienced users for additional information. Whatever accepted methods or materials are used, always make personal safety a priority.

If there are questions or comments, please contact your local supplier or JET. JET can also be reached at our web site: www.jettools.com.

Retain this manual for future reference. If the machine transfers ownership, the manual should accompany it.

5.0 Features

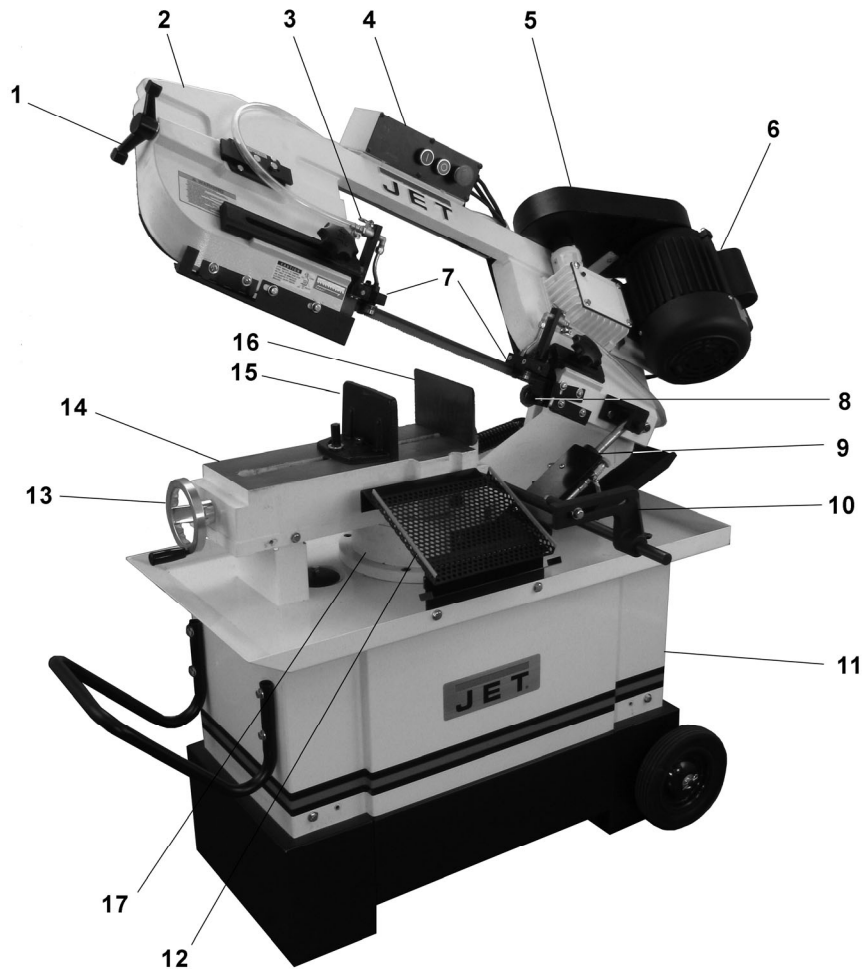


Figure 1

- | | |
|--|---------------------------------------|
| 1. Blade tension handle | 10. Adjustable work stop |
| 2. Cast iron bow | 11. Steel stand with coolant tank |
| 3. Coolant taps | 12. Chip guide plate |
| 4. Centralized control switch | 13. Vise handwheel with quick release |
| 5. 4-step pulley system with v-belt | 14. Cast iron table |
| 6. 3/4 HP motor | 15. Adjustable floating vise |
| 7. Ball bearing blade guides | 16. Fixed vise |
| 8. Chip brush | 17. Rotating disc hub for miter cuts |
| 9. Hydraulic cylinder with valve regulator | |

6.0 Specifications

Model Number.....HVBS-710S
 Stock Number413451

Materials:

Frame cast iron
 Table..... cast iron
 Blade wheels cast iron
 Base steel
 Vertical cutting plate steel
 Blade included bi-metal, variable tooth
 Blade guides..... ball bearing

Capacities:

Miter angle	90 to 45 deg.
Round capacity at 90°	7" (180 mm)
Round capacity at 45°	4" (100 mm)
Round capacity at 30°	6-3/4" (171mm)
Rectangle capacity at 90° (W x H)	7" x 10-13/64" (180 x 260 mm)
Rectangle capacity at 45° (W x H)	3-3/4" x 4" (95x 100 mm)
Rectangle capacity at 30° (W x H)	5-3/4" x 6" (146 x 150 mm)
Coolant tank capacity	9L (2.25 gal)

Motor and Electricals:

Motor type	totally enclosed fan cooled, induction, capacitor start
Horsepower	1 HP (0.75 kW)
Phase	single
Voltage	115/230 V (prewired 115V) ¹
Cycle	60Hz
Listed FLA (full load amps)	14/7 A
Start Capacitor	300 MFD 125 VAC
Run Capacitor	20µf/250VAC
Starting amps	35A
Running amps (no load)	12A
Power transfer	4-step pulley with v-belt
Control switch	push button with emergency stop
Motor speed	1720 rpm
Blade speeds	86, 132, 178, 260 sfpm
Power cord length	6 feet (180 cm)
Power cord type	16AWGx3c
Power plug installed	yes
Recommended circuit size ²	20A for 115V; 15A for 230V
Noise emission:	
without load	70 dB at 60 inches from blade
with load	75 dB at 60 inches from blade

Coolant pump:

Horsepower	1/8 HP
Phase	single
Voltage	115/230 V
Cycle	60Hz
Listed FLA (full load amps)	0.5/0.25 A
Capacitor	3µF 450V

Weights:

Net Weight	396 lb (180 kg)
Shipping Weight	462 lb (210 kg)

Dimensions:

Blade	3/4"W x 0.035"T x 93"L (19 x 0.9 x 2360 mm)
Blade wheel diameter	11-1/2" (292 mm)
Vise jaw height	4" (102 mm)
Vise jaw depth	7" (180 mm)
Table size (LxW)	17" x 7" (432 x 178 mm)
Table height from floor, horizontal	22-7/8" (580 mm)
Vertical cutting plate	9-1/2"L x 10"W (241 x 254 mm)
Cutting plate height from floor	42-29/32" (1090 mm)
Overall assembled, horizontal position	50"L x 31-1/2"W x 48"H (1260 x 800x 1220 mm)
Overall assembled, vertical position	50"L x 31-1/2"W x 72-29/64"H (1260 x 800 x 1840 mm)

Other:

Miter stops	90 and 45 deg.
Blade tension range	22000-25000 lb/in ² (1550-1760 kg/cm ²)

¹ 230V requires purchase and installation of 230V-only magnetic contactor (p/n HVBS710S-250N).

² subject to local and national electrical codes.

The specifications in this manual were current at time of publication, but because of our policy of continuous improvement, JET reserves the right to change specifications at any time and without prior notice, without incurring obligations.

7.0 Set-Up and Assembly

7.1 Unpacking and cleanup

Inspect contents of shipping container for shipping damage. Report any damage to your distributor.

Remove all contents from carton, and compare to the contents list in this manual. Report any part shortages to your distributor. Do not discard carton or packing material until machine is assembled and running satisfactorily.

Exposed metal areas have a rust preventative applied. Remove this with a soft rag and solvent or degreaser. Do not use cellulose-based solvents such as paint thinner or lacquer thinner; these will damage painted and plastic surfaces.

7.2 Shipping contents

If you do not see a part below, check the machine; some parts may have come pre-assembled to the saw.

Refer to Figures 2 and 3.

- 1 Band Saw
- 1 Workstop bar – **A**
- 1 Workstop – **B**
- 1 Workstop rod – **C**
- 1 Filter screen – **D**
- 1 Splash guard – **E**
- 1 Vertical cutting plate – **F**
- 1 Handle – **G**
- 1 Axle – **H**
- 2 Wheels – **I**
- 2 Stand sides – **J**
- 2 Stand ends – **K**
- 1 Support post – **L**
- 1 Instructions and Parts Manual (not shown)
- 1 Warranty Card (not shown)

Hardware Package (p/n *HVBS710S-HP*):

- 4 Hex cap screws 5/16"x3/4" – **HP-1**
- 2 Hex cap screws 1/4"x1/2" – **HP-2**
- 4 Lock washers 1/4" – **HP-3**
- 2 Flat washers 1/4" – **HP-4**
- 4 Hex cap screws 5/16"x1-1/2" – **HP-5**
- 8 Lock washers 5/16" – **HP-6**
- 12 Flat washers 5/16" – **HP-7**
- 4 Hex nuts 5/16" – **HP-8**
- 2 Cotter pins – **HP-9**
- 2 Flat washers 1/2" – **HP-10**
- 2 Hex cap screws 1/4"x5/8" – **HP-11**

Tools required for assembly:

- 12mm wrench
- 3, 4, and 6mm hex keys

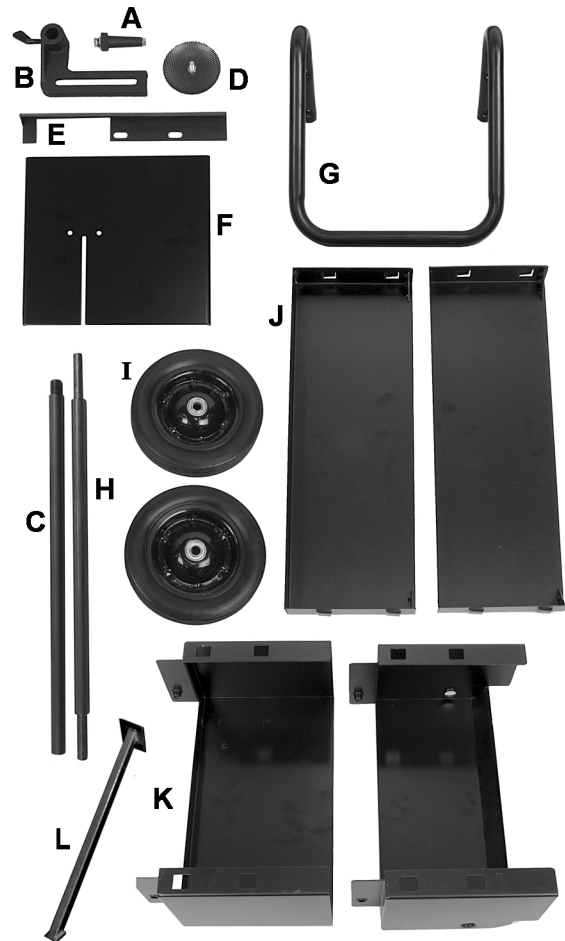


Figure 2

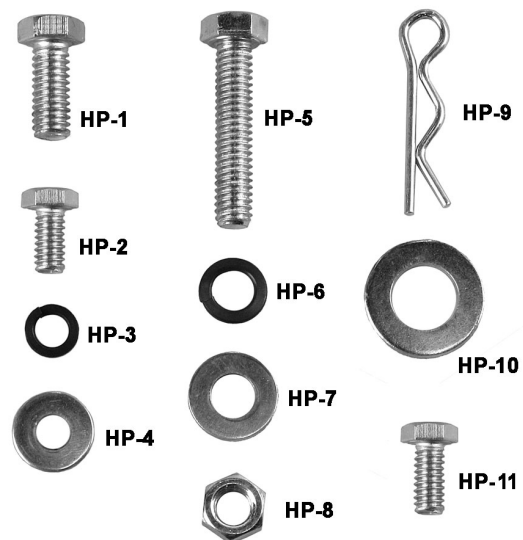


Figure 3

Hardware package *HVBS710S-HP*

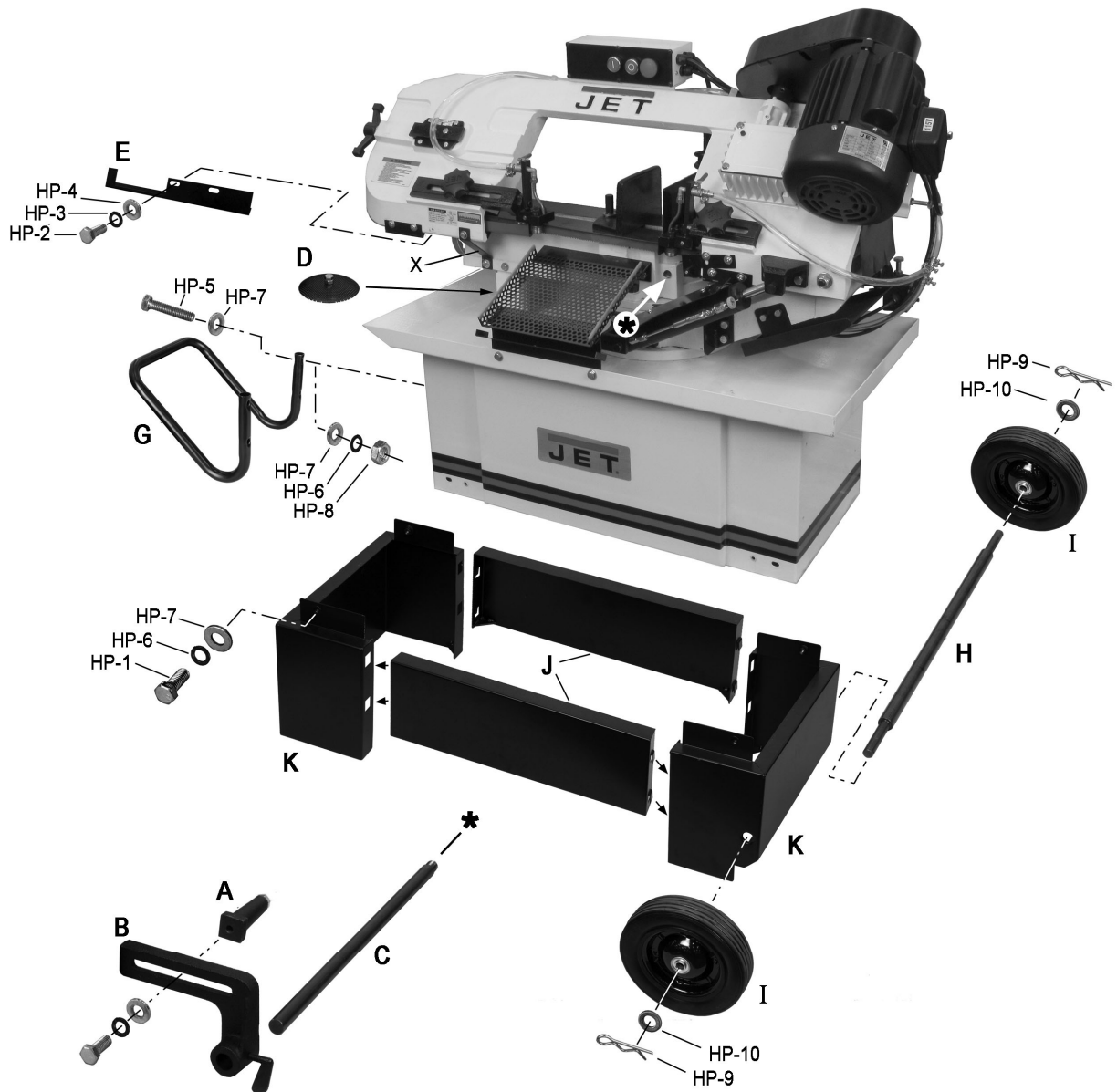


Figure 4

7.3 Assembly

Refer to Figure 4.



Band Saw should be disconnected from electrical power during assembly and setup.

1. Assemble base parts (J,K) according to Figure 4.
2. Install axle and wheels (H,I). Install cotter pin (HP-9) through hole in axle, and bend back legs of cotter pin to secure each wheel.
3. Remove the four brackets holding saw to pallet.
4. Use properly rated lifting equipment (hoist or forklift) with straps placed beneath cast iron portion of saw.
5. Position saw atop base and secure with four screws and washers (HP-1/6/7).
6. Install work stop assembly (A/B/C) into hole on saw base.
7. Install handle (G), and place filter screen (D) over coolant drain hole in pan.
8. Remove shipping bracket (x). Retain this piece in case you must transport the machine in the future.
9. Install guard (E) in place where shipping bracket was removed, with two screws and washers (HP-2/3/4).

7.4 Vertical cutting plate

These steps are only necessary when using band saw in vertical position.

1. Disconnect machine from power source.
2. Open valve on hydraulic cylinder (lever parallel to cylinder) and raise bow to vertical position.
3. Remove two screws and remove seat plate, as shown in Figure 5.

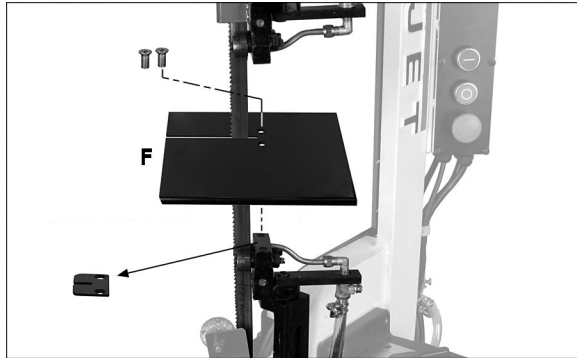


Figure 5

4. Guide blade through slot in vertical cutting plate (F, Figure 5), and tighten with the two screws.
5. Verify that vertical cutting plate is square to blade, using a machinist's square on the plate and against the blade (Figure 6).
6. If adjustment is needed, loosen screws and place shims where required. Tighten screws.

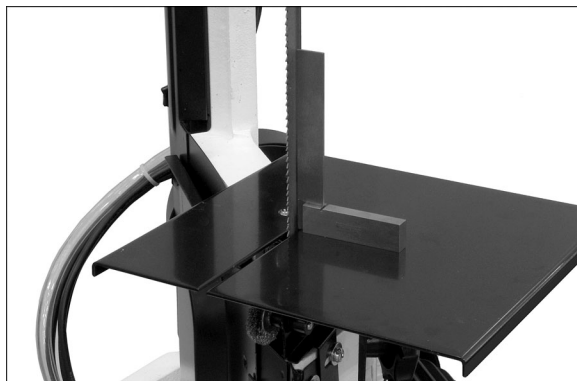


Figure 6

7. Place a level on vertical cutting plate (Figure 7).
8. Loosen hex nut (M, Figure 8) and turn stop screw (N) as needed, until cutting plate is level. Tighten hex nut.
9. Close valve on cylinder (lever perpendicular to cylinder) to secure bow in position.

Reinstall seat plate before using bow in horizontal position.

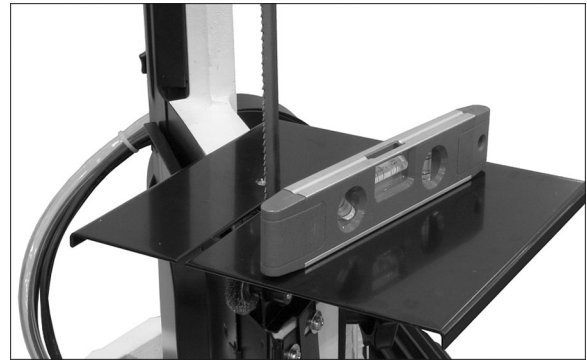


Figure 7

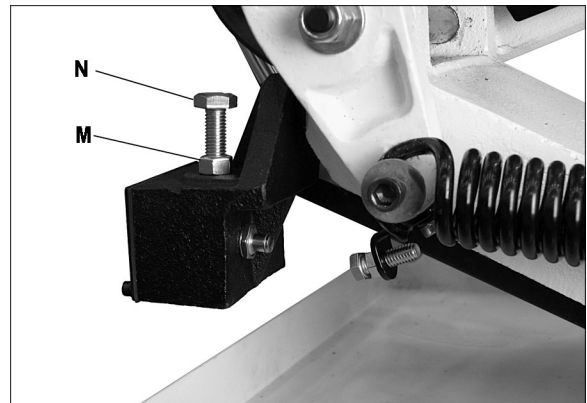


Figure 8

7.5 Vertical support post

This is mounted to rear of band saw to help stabilize saw when bow is in vertical position. It is generally not needed when bow is set for 90° cuts before raising it to vertical. **However, if operator raises bow that was set for mitering, the band saw can tip over.** The support post must be installed to prevent this.

CAUTION To avoid tipping risk, remember to set bow at 90-degree cut angle before raising to vertical position.

Mount post with two screws and washers to rear of saw, as shown (Figure 9).

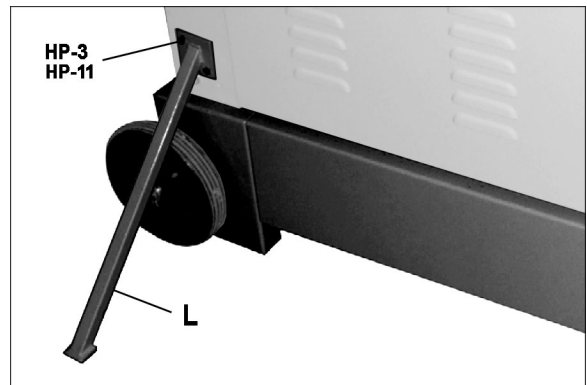


Figure 9

7.6 Coolant system

CAUTION Make sure there is coolant in the tank before operating, to prevent damage to pump.

Use of a water-soluble coolant will increase cutting efficiency and prolong blade life. Do not use black cutting oil as a substitute.

1. Remove coolant return hose (A, Figure 10) from filter cup, and slide tank out of saw base.
2. Fill tank to approximately 80% of capacity. Full capacity is 9 liters (2.25 gal).
3. Place tank into base. Place coolant return hose into the filter cup. Verify that opposite end of coolant return hose is connected to the coolant pan.
4. The coolant supply hose (B, Figure 17) should connect to the two valves on the blade guide assemblies.

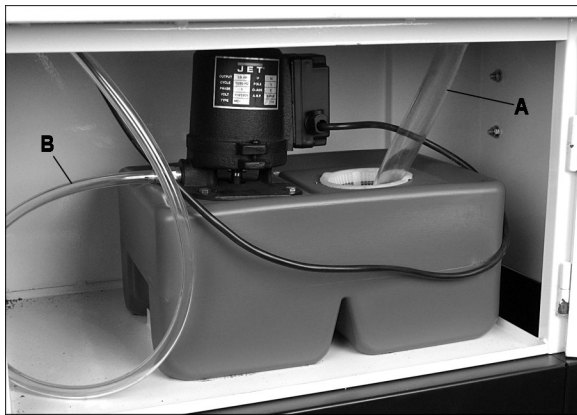


Figure 10

8.0 Electrical connections

WARNING Electrical connections must be made by a qualified electrician in compliance with all relevant codes. This machine must be properly grounded to help prevent electrical shock and possible fatal injury.

The HVBS-710S Band Saw is rated at 115/230V power, and pre-wired for 115 volt. The band saw comes with a plug designed for use on a circuit with a *grounded outlet* that looks like the one pictured in **A**, Figure 11.

Before connecting to power source, be sure switch is in *off* position.

It is recommended that the band saw, when operated at **115 volt**, be connected to a dedicated 20 amp circuit with a 20 amp circuit breaker or time-delay fuse rated "D". It is recommended that the band saw, when operated at **230 volt**, be connected to a dedicated 15 amp circuit with a 15 amp circuit breaker or time-delay fuse rated "D"

Local codes take precedence over recommendations.

8.1 Grounding instructions

1. All Grounded, Cord-connected Tools:

In the event of a malfunction or breakdown, grounding provides a path of least resistance for electric current to reduce the risk of electric shock. This tool is equipped with an electric cord having an equipment-grounding conductor and a grounding plug. The plug must be plugged into a matching outlet that is properly installed and grounded in accordance with all local codes and ordinances.

Do not modify the plug provided - if it will not fit the outlet, have the proper outlet installed by a qualified electrician.

Improper connection of the equipment-grounding conductor can result in a risk of electric shock. The conductor with insulation having an outer surface that is green with or without yellow stripes is the equipment-grounding conductor. If repair or replacement of the electric cord or plug is necessary, do not connect the equipment-grounding conductor to a live terminal.

WARNING Check with a qualified electrician or service personnel if the grounding instructions are not completely understood, or if in doubt as to whether the tool is properly grounded. Failure to comply may cause serious or fatal injury.

Use only 3-wire extension cords that have 3-prong grounding plugs and 3-pole receptacles that accept the tool's plug.

Repair or replace damaged or worn cord immediately.

2. Grounded, cord-connected tools intended for use on a supply circuit having a nominal rating less than 150 volts:

This tool is intended for use on a circuit that has an outlet that looks like the one illustrated in **A**, Figure 11. An adapter, shown in **B** and **C**, may be used to connect this plug to a 2-pole receptacle as shown in **B** if a properly grounded outlet is not available. The temporary adapter should be used only until a properly grounded outlet can be installed by a qualified electrician. *This adapter is not permitted in Canada.*

The green-colored rigid ear, lug, and the like, extending from the adapter must be connected to a permanent ground such as a properly grounded outlet box.

3. Grounded, cord-connected tools intended for use on a supply circuit having a nominal rating between 150 - 250 volts, inclusive:

This tool is intended for use on a circuit that has an outlet that looks like the one illustrated in **D**, Figure 11. The tool has a grounding plug that looks like the plug illustrated in **D**. Make sure the tool is connected to an outlet having the same configuration as the plug. No adapter is available or should be used with this tool. If the tool must be reconnected for use on a different type of electric circuit, the reconnection should be made by qualified service personnel; and after reconnection, the tool should comply with all local codes and ordinances.

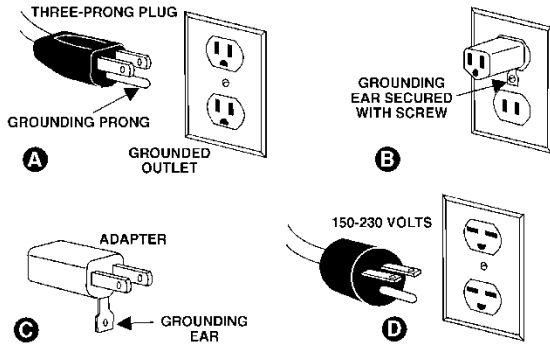


Figure 11

8.2 Voltage conversion

1. To switch the incoming power leads for 230 volt operation, follow the wiring diagram on the inside cover of motor junction box. Similar diagrams are shown in Figures 12/13.
2. Replace the magnetic contactor inside the control box (#201 in parts list) with the 230V contactor (separate purchase; p/n HVBS710S-250N. See your dealer or call JET to order.)
3. The plug on the end of the motor cord must be replaced with a UL/CSA listed plug rated for 240V.
4. Change the wiring inside the junction box of the coolant pump, according to the diagram found there.

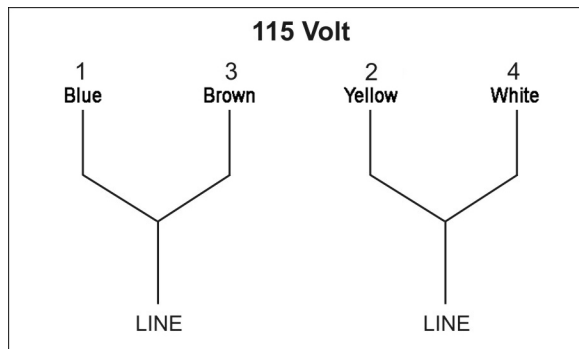


Figure 12

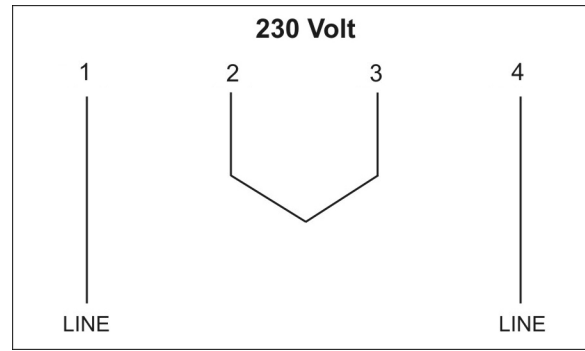


Figure 13

8.3 Extension cords

The use of extension cords is discouraged; try to position equipment near the power source. If an extension cord becomes necessary, make sure the cord rating is suitable for the amperage listed on the machine's motor plate. An undersized cord will cause a drop in line voltage resulting in loss of power and overheating.

Use Table 1 as a general guide in choosing the correct size cord. If in doubt, use the next heavier gauge. The smaller the gauge number, the heavier the cord.

Ampere Rating		Volts	Total length of cord in feet			
More Than	Not More Than		25	50	100	150
0	6	120	25	50	100	150
		240	50	100	200	300
			AWG			
0	6		18	16	16	14
6	10		18	16	14	12
10	12		16	16	14	12
12	16		14	12	Not Recommended	

Extension Cord Recommendations

Table 1

9.0 Adjustments

The settings on your band saw, such as blade squareness and tracking, were carefully performed by the manufacturer. You should, however, verify these before operating, in case misalignment has occurred during shipping.

9.1 Squaring blade to table

1. Disconnect machine from power source.
2. Place machinist's square (A, Figure 14) on table and against blade.
3. Check to see that blade contacts the square along entire width of blade.
4. If adjustment is needed, loosen screws (B, Figure 14) and rotate blade guide assemblies until blade makes contact with square along its entire width.
5. Tighten screws (B).

NOTE: If adjustment of squaring blade to table was necessary, re-verify all other blade adjustments.

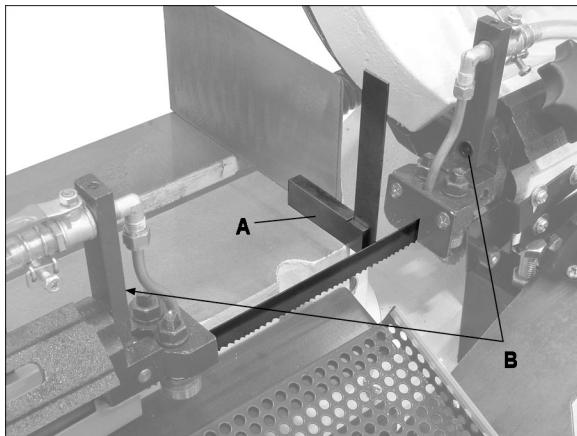


Figure 14

9.2 Squaring blade to vise

1. Disconnect machine from power source.
2. Place a machinist's square (A, Figure 15) on the bed against the blade and the fixed vise jaw. The square should lie along entire length of jaw and blade without a gap.
3. If adjustment is necessary, loosen screws holding vise (C, Figure 15) and shift vise until it aligns with square.
4. Retighten screws.

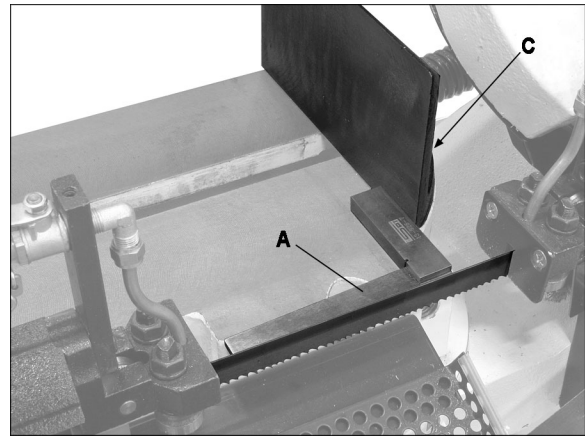


Figure 15

9.3 Vise positioning

WARNING Keep hands away from blade while adjusting vise. Do not make any adjustments to vise while the machine is running.

The vise has a quick-release feature which allows fast positioning of the floating jaw against the workpiece, and then a final tightening with the handwheel.

1. Make sure fixed jaw (D, Figure 16) has been squared (section 9.2, Squaring blade to vise).
2. Position workpiece against fixed jaw.
3. Loosen hexagonal stud (E) on floating jaw.
4. Rotate handwheel (F) slightly counter-clockwise, then push floating jaw by hand until it contacts workpiece and adjusts to its shape.
5. Tighten stud (E).
6. Use handwheel to tighten the clamping pressure.

The quick release function can also be used to quickly disengage floating jaw when the cut is finished.

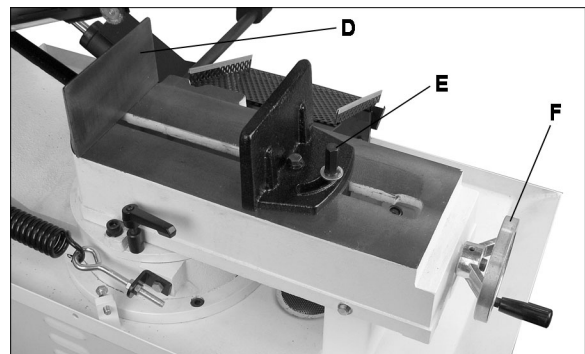


Figure 16

9.4 Miter cuts

1. Loosen handle (G, Figure 17).
2. Rotate bow to desired angle up to 45-degrees, using scale indicator on front of base.
3. Tighten handle.

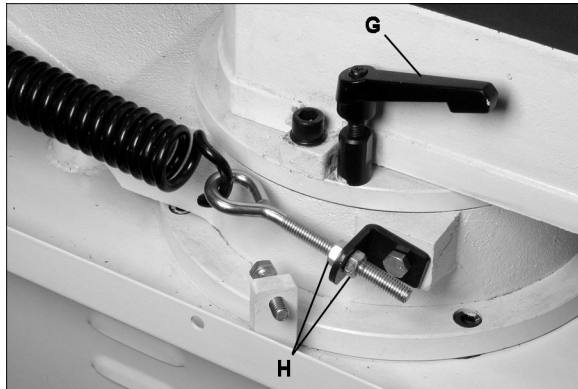


Figure 17

The angle scale is sufficient for most mitering operations. If greater precision is needed, verify setting with a protractor.

If handle (G) movement is obstructed, lift up on handle and rotate it on the pin. Release handle, making sure it seats itself properly on pin.

CAUTION Bow should be returned to 90-degree cut angle before lifting into vertical position. See section 7.5.

9.5 Setting feed rate

The feed rate of the blade into the workpiece is important to band saw performance. Excessive pressure of blade against the workpiece may break the blade or stall the saw. In contrast, insufficient pressure rapidly dulls the blade.

The hydraulic cylinder resists movement of the bow in the downward direction. It offers no resistance when the bow is raised upward.

To increase feed rate, turn dial (A, Figure 18) counterclockwise. To decrease, turn clockwise.

To close hydraulic flow, turn lever (B) down, perpendicular to cylinder, as shown in Figure 18. To open hydraulic flow, raise lever (B) parallel to cylinder.

Feed rate is adjusted by the operator until the saw is operating efficiently; usually determined by observing chip formation. See section 11.4, *Evaluating cutting efficiency*.

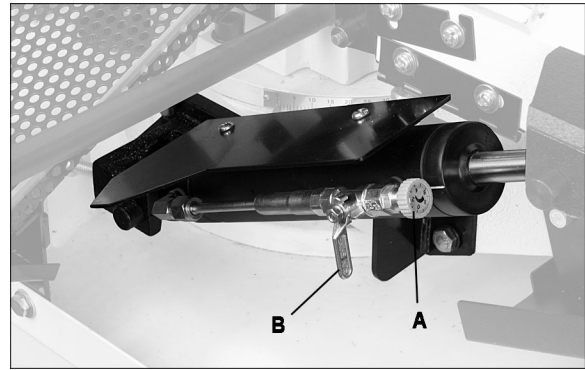


Figure 18

9.6 Counterbalance spring

The counterbalance spring helps control the amount of weight the saw bow puts on the workpiece when the hydraulic control valve is fully open. The hydraulic cylinder will not compensate for improper counterbalance.

If the spring is not set properly, one can expect poor performance, crooked cuts, tooth stripping, stalling, and/or the blade running off the wheels.

Spring tension has been set by the manufacturer, and should not require adjustment. If future problems arise, indicating improper counterbalance, adjust spring as follows:

1. Disconnect machine from power source.
2. Turn ON hydraulic cylinder valve and place saw bow in horizontal position.
3. Turn feed rate valve on hydraulic cylinder counterclockwise until it stops.
4. Place a weigh scale (such as a spring or hanging scale) beneath blade tension handle, and lift saw bow. Scale should indicate approximately 5 to 6 kg (11-13 lb).
5. If adjustment is needed, loosen one nut and tighten the other (H, Figure 17) on the eye bolt, until scale indicates 5 to 6 kg.

9.7 Blade installation/replacement

CAUTION This band saw is designed for use with blades that are 3/4" wide by 0.032" thick x 93" long. Use of blades with different specification may cause inferior performance.

A general-use variable-tooth blade is provided with this band saw.

The choice of blade pitch is governed by the thickness of the work to be cut: the thinner the workpiece, the more teeth advised. A minimum of three teeth should engage the workpiece at all times. If the teeth of the blade are so far apart that they straddle the work, severe damage to the workpiece and to the blade can result.

1. Disconnect machine from power source.

2. Raise bow to vertical position, and secure in place by turning off hydraulic cylinder.
3. Remove red blade guard (A, Figure 19) by removing two screws.

⚠WARNING Red blade guard must be reinstalled after new blade is fitted.

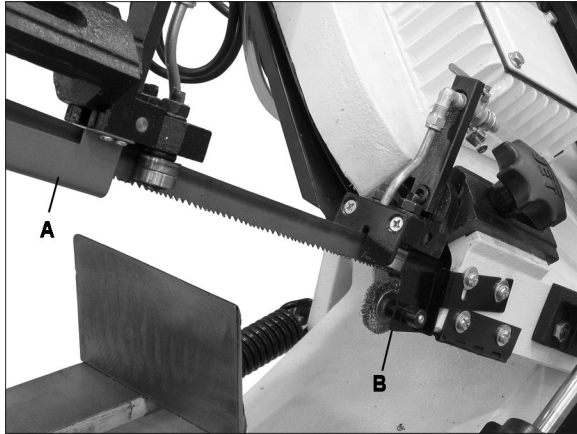


Figure 19

4. Remove brush assembly (B, Figure 19) by removing two screws.
5. Loosen blade tension by turning handle (C, Figure 20) counterclockwise.



Figure 20

6. Open back cover by loosening two lock knobs (D, Figure 20).
7. Carefully remove old blade. *NOTE: Leather gloves are recommended when handling saw blades.*
8. Install new blade first between bearing guides. Make sure blade teeth face same direction as shown on the blade direction label on saw. (If teeth still point in wrong direction despite mounting blade properly, the blade has been turned inside-out. Twist blade right side-out and reinstall.)
9. Position blade around wheels, making sure it rests near the flange on both wheels.
10. Tension blade using handle. Do not over-tension. See section 9.8, *Blade tension*.

11. Close back cover and secure with knobs.
12. Install red blade guard, and brush assembly.
13. Connect machine to power source.
14. Run machine to verify that blade is tracking properly. See section 9.9, *Blade tracking*.

9.8 Blade tension

⚠WARNING Disconnect machine from power source, and use caution when working with sharp blade.

Blade tension is vital to achieving proper results from the band saw. For shipping purposes, the blade may not be at full tension – verify tension before operating.

Proper blade tension is 1550 to 1760 kg/cm² (22000-25000 lb/in²) as measured on a blade tension gauge (not provided).

To set tension without the use of a tension gauge:

1. Disconnect machine from power source.
2. Install blade between wheels and between bearings on blade guides.
3. Lightly tension blade to remove any sag by turning handle (C, Figure 20) slightly clockwise.
4. Turn tension handle (C, Figure 20) 1-3/4 to two revolutions clockwise.
5. Close covers, connect to power source, and run saw for 2 to 3 minutes to allow blade to seat properly.
6. Disconnect machine from power source. Open cover and loosen blade until it just begins to sag.
7. Tighten blade until it straightens between blade wheels and all sag is eliminated.
8. Tighten blade by turning handle (C, Figure 20) two full revolutions.

⚠CAUTION Do not overtighten blade; this may cause it to stretch or warp.

TIP: Slacken blade tension when finished with operations, to prolong blade life. Make note of indicator position on tension label (E, Figure 20) for quickly returning tension to its previous setting.

9.9 Blade tracking

⚠WARNING Tracking the blade requires that the band saw be operating while the back cover is removed. This adjustment should be performed by qualified persons only.

Blade tracking has been tested at the factory. Adjustment is rarely required when the blade is used properly and if the blade is correctly welded. If a tracking problem occurs, first inspect blade condition, then adjust tracking as follows:

1. Raise bow to vertical position and secure by turning off hydraulic cylinder valve.
2. The blade should be properly tensioned. Refer to *section 9.8 Blade tension*.
3. Open back cover.

CAUTION While performing the following steps, keep the blade from rubbing excessively on wheel flange. Excess rubbing will damage wheel and/or blade.

4. Start saw and observe blade movement. Blade should run next to, but not tightly against, wheel flange.
5. If blade will not track in position, loosen screws (F, Figure 21), but do not remove.

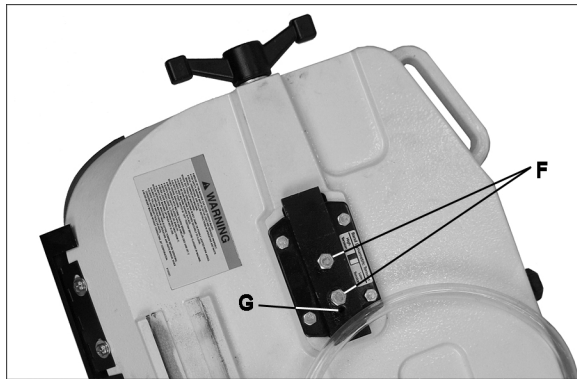


Figure 21

6. Turn set screw (G, Figure 21) counter-clockwise so that blade starts to move away from the flange; then immediately turn set screw in the other direction so that blade stops, then moves slowly back toward flange. NOTE: This adjustment is sensitive; do it gradually and in small increments allowing the wheel to respond to changes.

WARNING Keep fingers clear of blade and wheel to avoid injury.

7. Turn set screw to stop shifting of blade on the wheel as it gets closer to wheel flange. Put a six-inch length of paper between blade and wheel. The paper should not be cut as it passes between wheel flange and blade.
8. Turn set screw a small amount. Repeat the insertion of paper between wheel flange and blade until paper is cut into two pieces.

NOTE: You may have to repeat the check with the paper several times before the blade and the flange cut the paper into two pieces. Do not hurry the adjustment. Patience and accuracy here will pay off with better, more

accurate, quieter cutting and longer machine and blade life.

9. When the paper is cut, back off the set screw slightly. This assures that the blade is not touching the flange of the wheel.
10. Tighten two screws (F, Figure 21).

9.10 Test cutting to verify adjustment

Test cuts can be used to determine whether or not you have adjusted the blade accurately. Use 2-inch round bar stock to perform these test cuts, as follows:

1. With bar stock securely clamped in the vise, make a cut through the bar stock. (See Figure 22.)
2. Mark the top of the bar stock.
3. Move the bar stock about 1/4-inch past the blade so that you can begin a second cut.
4. Rotate the bar stock 180 degrees so the mark you made is now at the bottom of the cut.
5. Make a cut through the bar stock.
6. Use a micrometer to measure the thickness variation of the disk you have cut from the bar stock. Measure at top and bottom of disk.

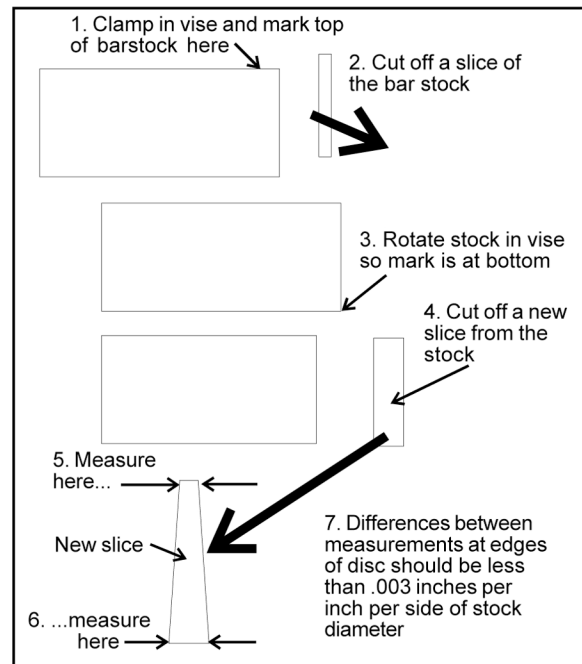


Figure 22

The saw blade can be considered correctly adjusted when the variation measure is no more than 0.012 inch across the face of the disk.

If you do not have a piece of 2-inch bar stock available for a test cut, use a larger diameter test piece rather than a smaller one. The maximum thickness variation on any test piece should be no more than 0.003 inch, per side, per inch of stock diameter.

9.11 Setting blade speed

1. Turn machine OFF.
2. Loosen knob (A, Figure 23) and open pulley cover.
3. Reduce belt tension by turning the two screws (B, Figure 23) counterclockwise.
4. Slip belt over pulleys for desired speed, according to chart inside pulley cover (also shown in Figure 24).
5. Tighten screws to tension belt. Proper tension is when center of belt can be pushed with a finger approximately 1/2-inch.

Material chips or shavings are the best indicator of proper blade speed and downfeed rate. See *section 11.4, Evaluating cutting efficiency*.

The belt should be parallel from motor pulley to worm pulley. If adjustment is needed, loosen the nuts holding the motor to the plate, and adjust motor until belt is parallel. Retighten nuts.

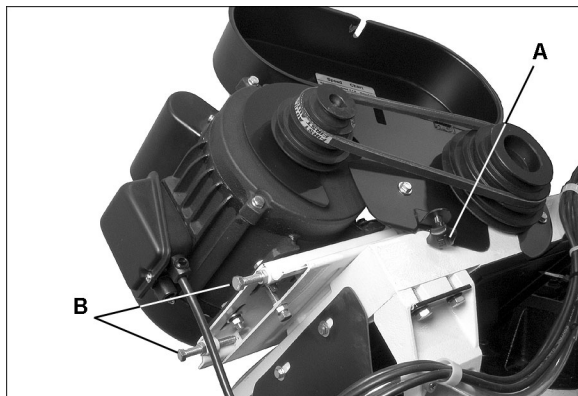


Figure 23

Worm Pulley	Speed (fpm)	Motor Pulley
	260	
	178	
	132	
	86	

Figure 24

9.12 Blade guide adjustment

1. Loosen knobs (A, Figure 25).
2. Slide guide assemblies as close to workpiece as possible, without interfering with the cut. This will prevent excessive blade exposure, and deflection of blade during cutting.
3. Retighten knobs.



Figure 25

The guide bearings come pre-adjusted from the factory, but should be inspected frequently and adjustments made as needed.

For most efficient operation and maximum accuracy, provide 0.001" clearance between the blade and the guide bearings. The bearings will still turn freely with this clearance. If the clearance is incorrect, the blade may track off the drive wheel.

1. Disconnect machine from power source.
2. Raise bow to vertical and secure in place by turning off hydraulic cylinder.
3. Loosen socket head cap screw (B, Figure 26) and adjust guide assembly until back roller bearing (C) is slightly contacting back edge of blade.
4. Loosen nut (D) and rotate eccentric shaft (E) to adjust side bearing until bearing just touches side of blade. Do not pinch the blade.
5. Blade should still move up and down freely when grasped as in Figure 27. Make sure blade teeth do not interfere with guide bearings.

WARNING Make sure power is disconnected and hands are protected before handling blade.

6. Tighten nut (C).
7. Repeat for other blade guide assembly.

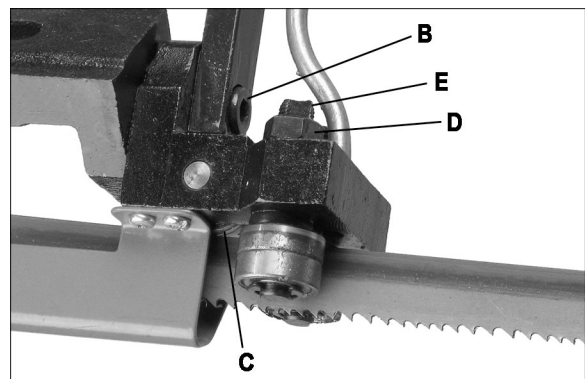


Figure 26

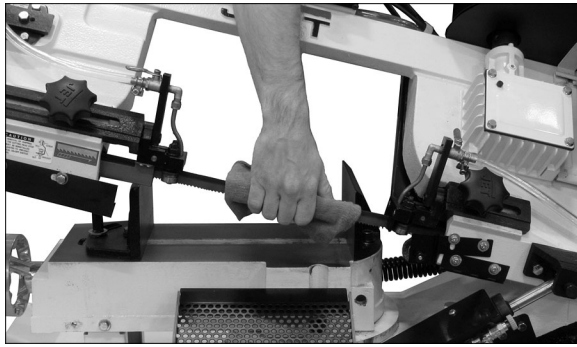


Figure 27

9.13 Chip brush

The chip brush (B, Figure 19) must be properly adjusted and maintained in working condition; otherwise damage to blade can occur. Adjust the brush so that its bristles overlap the blade.

Replace brush if it becomes worn or damaged.

9.14 Limit switch

The stop screw (F, Figure 28) activates a limit switch to shut off the saw when it reaches down position.

The stop screw has been set at the factory. If future adjustment is needed, loosen the hex nut and rotate the screw, then retighten the hex nut.

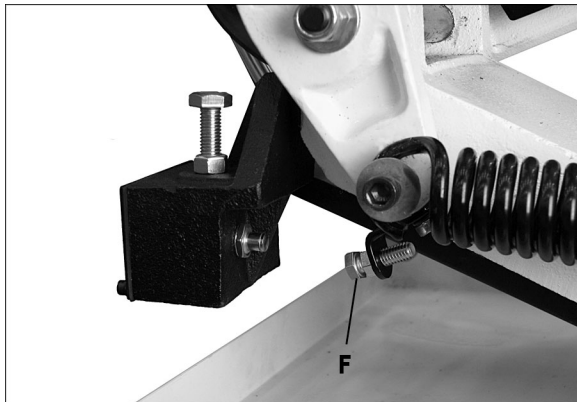


Figure 28

10.0 Operating controls

To start saw, push On button (A, Figure 29).

To stop saw before it reaches the end of cut, push Off button (B). The saw will automatically stop at the end of a cut.

The Emergency Stop (C) shuts down all functions on the band saw. The machine will not start if the emergency stop is still engaged. To start the machine, turn the emergency stop button until it disengages.

The flow of coolant to the blade area is controlled by the valves (D).

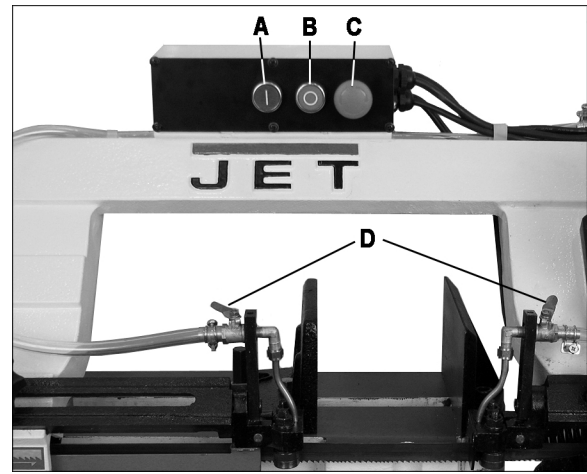


Figure 29

IMPORTANT: When cutting magnesium, never use soluble oils or emulsions (oil-water mix) as water will greatly intensify any accidental magnesium chip fire. See your industrial coolant supplier for specific coolant recommendations when cutting magnesium.

11.0 Operation

11.1 Pre-Operation inspection

Give machine an overall inspection and verify the following:

1. Guards and covers are in place and in working order.
2. Blade tooth direction matches diagram on bow.
3. Blade is properly tensioned, and tracking correctly on wheels.
4. Side and rear blade guide bearings are properly adjusted.
5. Coolant level is sufficient.
6. Saw is properly lubricated.
7. Do not begin cut on a sharp edge; file edge first.

11.2 Blade break-in procedure

New blades are very sharp and, therefore, have a tooth geometry which is easily damaged if a careful break-in procedure is not followed. Consult the blade manufacturer's literature for break-in of specific blades on specific materials. However, the following procedure will be adequate for break-in of JET-supplied blades on lower alloy ferrous materials.

1. Clamp a round section workpiece in the vise. The workpiece should be 2 inches or larger in diameter.
2. Set the saw on low speed. Start the cut with a very light feed rate.

- When the saw has completed 1/3 of the cut, increase the feed rate slightly and allow the saw to complete the cut.
- Keep the same hydraulic cylinder setting and begin a second cut on the same or similar workpiece.
- When the blade has completed about 1/3 of the cut, increase feed rate. Watch the chip formation until cutting is at its most efficient rate and allow the saw to complete the cut (see section 11.4, *Evaluating cutting efficiency*).
- The blade is now ready for regular service.

- Push start button to begin blade rotation. Allow blade to reach full speed before beginning cut.
- Turn on coolant flow. Adjust flow valves as needed.
- Open valve on hydraulic cylinder to allow bow to descend in a gradual and controlled manner.
- The machine will shut off at the completion of the cut. Turn off coolant flow and remove workpiece.
- Return bow to raised position for next cut.

11.3 General operating procedure

- Raise bow until it will clear workpiece by a few inches, and close hydraulic cylinder valve to secure it in place.

NOTE: Never start a cut with blade contacting workpiece.

- Place workpiece in vise and tighten vise. The workpiece should be fitted directly between the jaws without adding other objects.

When workpiece to be cut is a profiled section, flat piece or special shape, refer to examples in Figure 30 for proper clamping positions. The top row shows acceptable clamping positions; the bottom row shows *un*acceptable positions.

If thickness of profiled section is very thin, a piece which duplicates the profile should be fitted inside the workpiece itself, to prevent workpiece being crushed between the jaws.

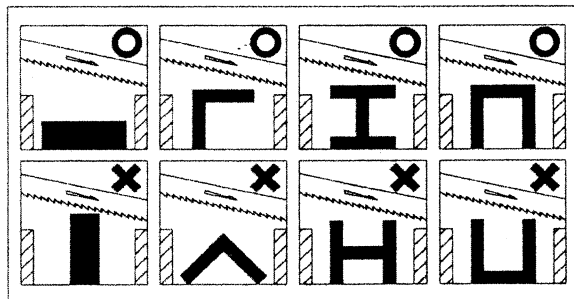


Figure 30

⚠ WARNING Never hold a workpiece by hand when cutting it – the workpiece should be firmly secured in the vise. Do not reach into the cutting area during cutting operations.

- Position work stop if needed.
- Position blade guides as close to workpiece as possible.
- Move speed setting handle to desired position. **Do not move speed setting handle during a cutting operation.**
- Set a suitable downfeed rate for that operation on the hydraulic cylinder dial.

11.4 Evaluating cutting efficiency

Is the blade cutting efficiently? The best way to determine this is to observe the chips formed by the cutting blade.

If chip formation is powdery, then the feed rate is much too light, or the blade is dull.

If chips formed are curled, but colored — that is, either blue or straw-colored from heat generated during the cut — then the feed rate is too high.

If chips are slightly curled and are not colored by heat – the blade is sufficiently sharp and is cutting at its most efficient rate.

12.0 Maintenance

⚠ WARNING Before doing maintenance on the machine, disconnect it from the electrical supply by pulling out the plug or switching off the main switch! Failure to comply may cause serious injury.

Keep all surfaces clean and free of rust, slag, chips, and coolant build-up.

Clear metal particles with a small paint brush or parts cleaning brush.

Clean filter screen.

Do not use compressed air, as it may force chips into the guide bearings and other critical areas of the saw.

Wipe saw down with a clean, dry cloth, and oil all unpainted surfaces with light machine oil.

Keep blade guides clean and free of metal particles.

Check guide bearings frequently to make sure that they are properly adjusted and turning freely.

If the power cord is worn, cut, or damaged in any way, have it replaced immediately.

Ball bearings on blade guide assemblies and blade wheels are permanently lubricated and sealed. They require no further lubrication.

Grease the vise lead screw (Figure 31) as needed, with a general purpose grease.

Place a thin coat of oil on the table surface on which the vise jaw slides.

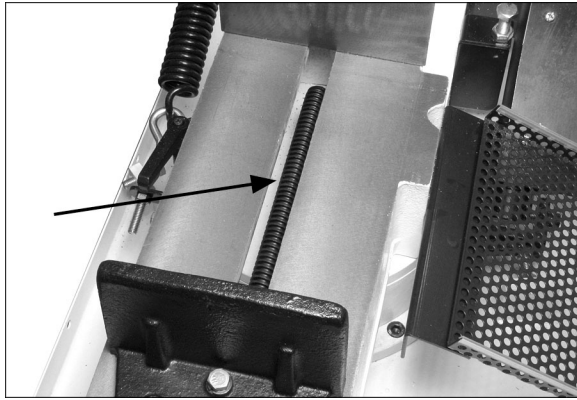


Figure 31

12.1 Coolant level

Maintain coolant level. Low coolant level can cause foaming and high blade temperatures. Replace dirty coolant; dirty or weak coolant can clog the pump, cause crooked cuts, a low cutting rate and/or permanent blade damage. To fill the tank, remove the filter cup and pour coolant into the hole to about 80% of full capacity. Full capacity is 9 liters (2.25 gal). Follow coolant manufacturer's instructions for proper use and disposal.

12.2 Gear box

To change gear box oil:

1. Disconnect machine from power source.
2. Place bow in horizontal position.
3. Remove screws (A, Figure 32) from gear box and remove cover plate and gasket.

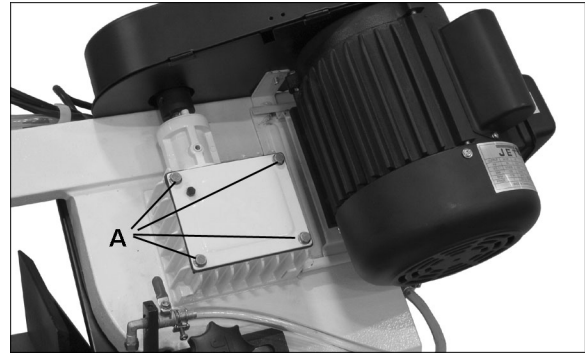


Figure 32

4. Hold a container beneath lower right corner of gear box with one hand, while slowly raising the bow with the other. Drain completely.
5. Place bow in horizontal position. Wipe out remaining oil with a rag.
6. Fill gear box with approximately 1/2 pint of gear oil.
7. Reinstall gasket and cover. Fasten cover with screws.

Completely drain and refill gear box oil after the first 90 days of operation. Thereafter, change every six months.

13.0 Troubleshooting the HVBS-710S

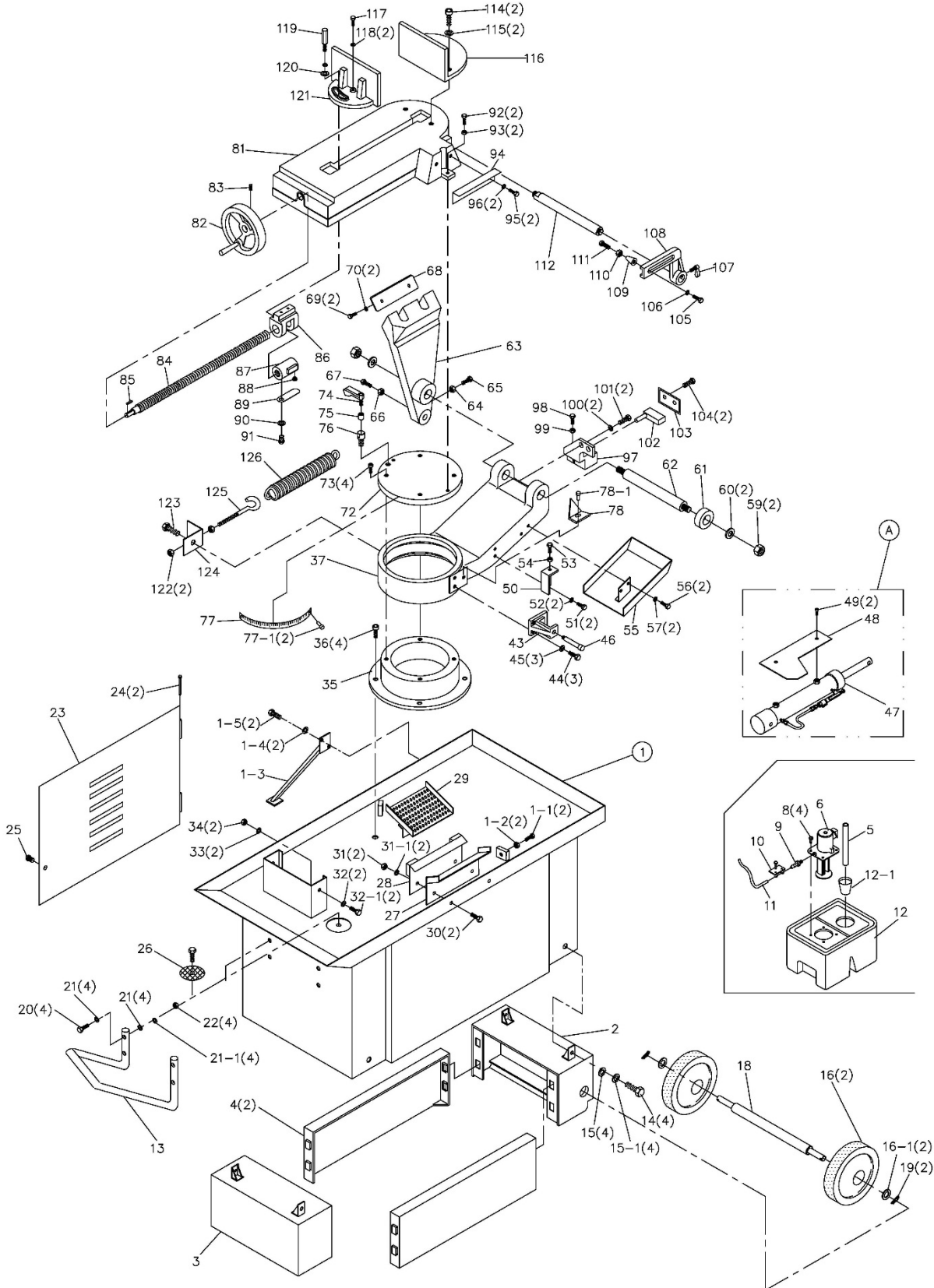
Trouble	Probable Cause	Remedy
Motor will not start.	No incoming power.	Check plug connection.
	Blown electrical panel fuses.	Replace fuses.
	Defective motor, switch, power cable, or plug.	Qualified electrician/service personnel should inspect these items.
Band Saw vibrates excessively.	Base on uneven surface.	Adjust base for even support.
	Saw blade has cracks.	Replace blade immediately.
	Too heavy a cut.	Reduce downfeed rate and blade speed.
Miter cuts not accurate.	Setting of the miter stops is not correct.	Loosen the screws and adjust the stops to correct positions. Use adjustable square or protractor to check angle settings.
	Blade is worn, cutting crooked.	Replace blade.

Trouble	Probable Cause	Remedy
Cuts not square.	Feed pressure too great.	Decrease feed pressure.
	90° angle stop is not set correctly.	Adjust stop until blade is square with vise.
	Incorrect blade tothing in relation to workpiece.	Check <i>Machinery's Handbook</i> for recommended blade type.
	Blade is worn, cutting crooked.	Replace blade.
	Incorrect adjustment of bearing guides and guide assembly.	Re-adjust guide assemblies.
	Workpiece incorrectly positioned in vise.	Check positioning and clamping in vise.
	Poor blade tension.	Check and correct if needed.
Finished surface of workpiece is rough, unsatisfactory.	Blade is dull.	Replace blade.
	Improper blade for cutting operation.	Check <i>Machinery's Handbook</i> for blade recommendations.
	Downfeed rate too fast.	Reduce downfeed rate.
	Blade tension too low.	Increase blade tension.
Excessive blade breakage.	Incorrect blade tension.	Adjust blade tension.
	Incorrect blade speed or downfeed rate.	Adjust accordingly.
	Workpiece loose in vise.	Clamp workpiece securely.
	Blade rubs on wheel flange.	Adjust blade tracking.
	Teeth too coarse for material.	Use appropriate blade for material being cut.
	Teeth in contact with workpiece before saw is started.	Start motor before blade contacts workpiece.
	Blade guides are misaligned.	Adjust blade guides as needed.
	Blade too thick for wheel diameter.	Use thinner blade.
	Cracking at weld; poor annealing of blade.	Replace blade.
Premature blade dulling.	Teeth too coarse.	Use finer tooth blade.
	Blade speed too fast.	Reduce speed.
	Inadequate downfeed rate.	Adjust cylinder dial setting as needed.
	Hard spots or scale on material.	Scale: Reduce speed and increase downfeed rate. Hard Spots: Increase downfeed rate.
	Work hardening of material (especially stainless steel)	Increase downfeed rate.
	Blade installed backwards.	Remove blade, twist inside-out and re-install.
	Insufficient blade tension.	Adjust as needed.
Unusual wear on side/back of blade,	Blade guides worn.	Replace guides.
	Blade guide bearings not adjusted.	Adjust blade guide bearings.
	Blade guide bearing bracket is loose.	Tighten blade guide bearing bracket.
No coolant flow.	Pump motor burned out.	Replace pump.
	Filter screen clogged.	Clean filter screen.
	Coolant level low.	Add coolant to tank.

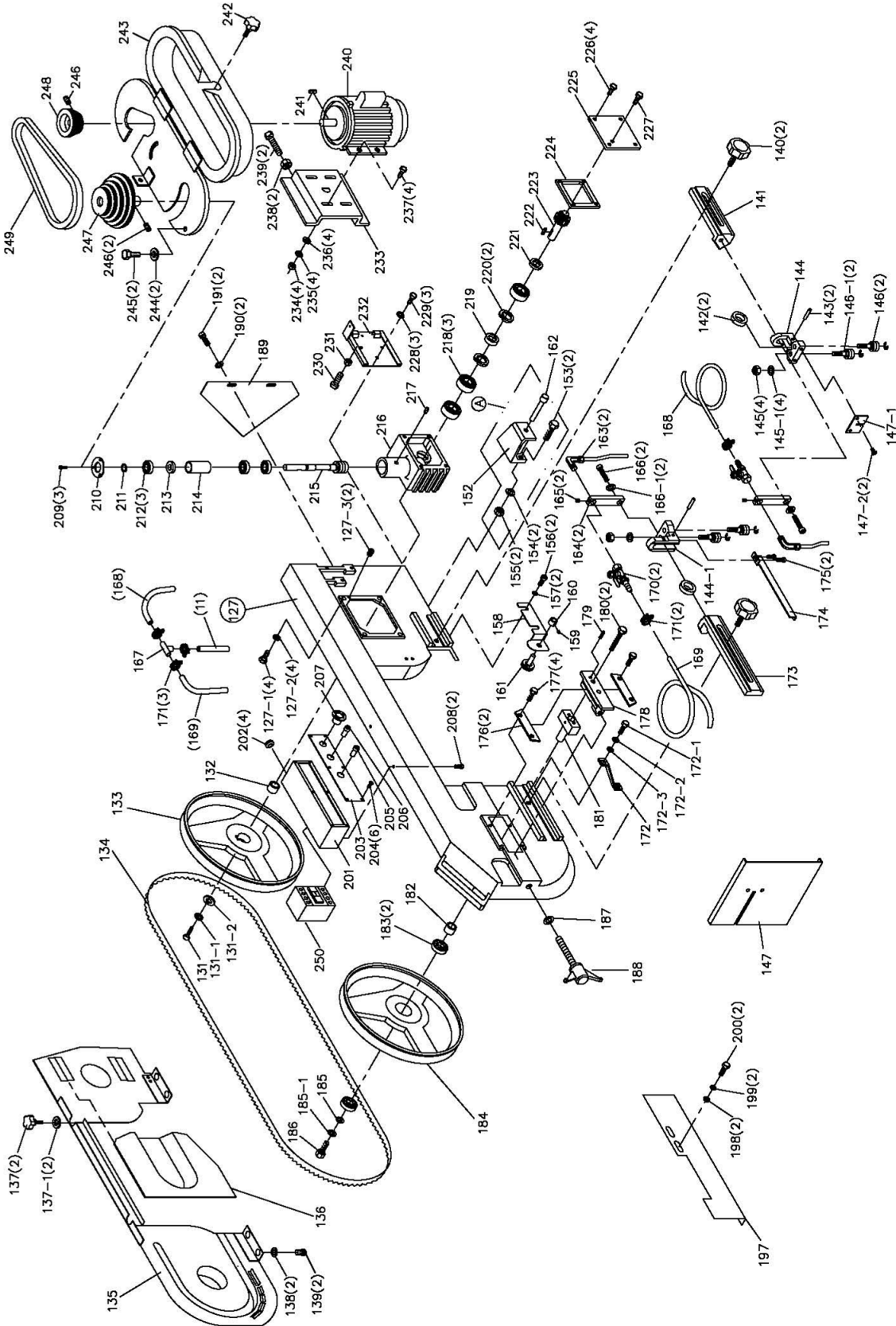
14.0 Replacement Parts

Replacement parts are listed on the following pages. To order parts or reach our service department, call 1-800-274-6848, Monday through Friday (see our website for business hours, www.jettools.com). Having the Model Number and Serial Number of your machine available when you call will allow us to serve you quickly and accurately.

14.1.1 HVBS-710S Table and Stand Assembly – Exploded View



14.1.2 HVBS-710S Bow Assembly – Exploded View



14.1.3 HVBS-710S Assembly – Parts List

Index No.	Part No.	Description	Size	Qty
1	HVBS710S-1G	Bottom Pan		1
1-1	TS-0060071	Hex Cap Screw	3/8" x 1-1/2"	2
1-2	TS-0570031	Hex Nut	3/8"	2
1-3	HVBS710S-1-3	Support Post		1
1-4	TS-0720071	Spring Washer	1/4"	2
1-5	TS-0050021	Hex Cap Screw	1/4" x 5/8"	2
2	HVBS710S-2	Feet-Stand (Right)		1
3	HVBS710S-3	Feet-Stand (Left)		1
4	HVBS710S-4	Panel		2
5	HVBS710S-5	Clear Hose	1"	1
6	HVBS710S-6	Pump	1/8HP 1PH	1
8	TS-0050011	Hex Cap Screw	1/4" x 1/2"	4
9	HVBS710S-9	Hose Fitting		1
10	HVBS710S-10	Hose Clamp		1
11	HVBS710S-11	Hose	5/16"	1
12	HVBS710S-12	Coolant Tank	9L	1
12-1	HVBS7MW-66-1N	Plastic Funnel		1
13	HVBS710S-13	Handle		1
14	TS-0081031	Hex Cap Screw	5/16" x 3/4"	4
15	TS-0680031	Flat Washer	5/16"	4
15-1	TS-0720081	Spring Washer	5/16"	4
16	HVBS710S-16	Wheel	8"	2
16-1	TS-0680061	Flat Washer	1/2"	2
18	HVBS710S-18	Axle		1
19	HVBS710S-19	Cotter Pin		2
20	TS-0051071	Hex Cap Screw	5/16" x 1-1/2"	4
21	TS-0680031	Flat Washer	5/16"	8
21-1	TS-0720081	Spring Washer	5/16"	4
22	TS-0561021	Hex Nut	5/16"	4
23	HVBS710S-23G	Door		1
24	HVBS710S-24	Pin		2
25	HVBS710S-25	Lock Knob	1/4" x 3/4"	1
26	HVBS710S-26	Filter		1
27	HVBS710S-27	Bracket		1
28	HVBS710S-28	Bracket		1
29	HVBS710S-29G	Chip Guide Plate		1
30	TS-0081031	Hex Cap Screw	5/16" x 3/4"	2
31	TS-0561021	Hex Nut	5/16"	2
31-1	TS-0720081	Spring Washer	5/16"	2
32	TS-0680031	Flat Washer	5/16"	2
32-1	TS-0081051	Hex Cap Screw	5/16" x 1"	2
33	TS-0720081	Spring Washer	5/16"	2
34	TS-0561021	Hex Nut	5/16"	2
35	HVBS710S-35G	Lower Disc		1
36	TS-1505021	Socket Head Cap Screw	M10 x 20	4
37	HVBS710S-37G	Swivel Base		1
43	HVBS710S-43	Bottom Support		1
44	TS-0081051	Hex Cap Screw	5/16" x 1"	3
45	TS-0720081	Spring Washer	5/16"	3
46	HVBS710S-46	Support Rod		1
47	HVBS710S-47	Hydraulic Cylinder		1
48	HVBS710S-48	Cylinder Cover		1
49	HVBS710S-49	Round Head Screw	1/4" x 1/2"	2
50	HVBS710S-50	Support Plate		1
51	TS-0060051	Hex Cap Screw	3/8" x 1"	2
52	TS-0720091	Spring Washer	3/8"	2
53	TS-1492041	Hex Cap Screw	M12 x 40	1
54	TS-1540081	Hex Nut	M12	1
55	HVBS710S-55	Splash Guard		1
56	TS-0081031	Hex Cap Screw	5/16" x 3/4"	2

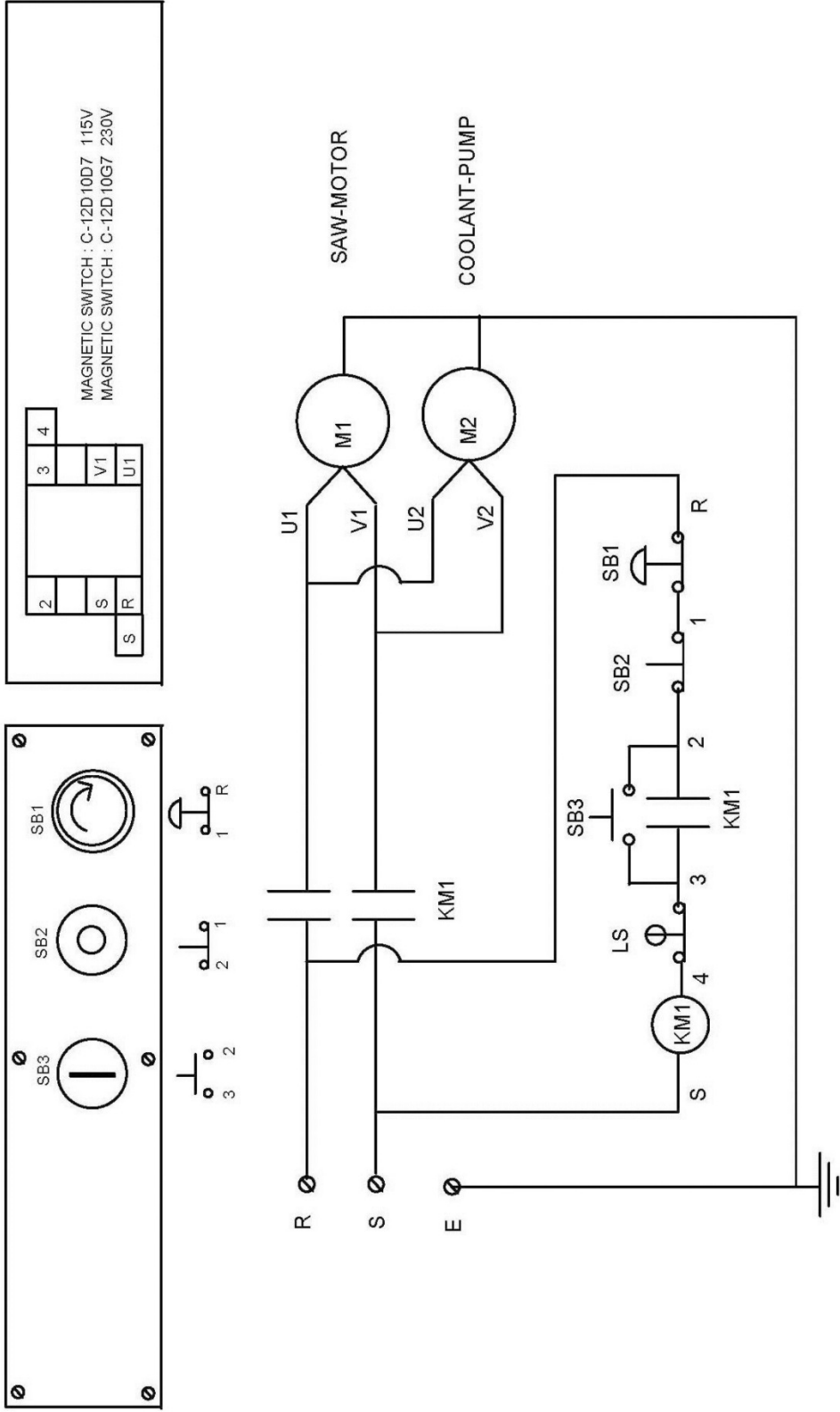
Index No.	Part No.	Description	Size	Qty
57	TS-0720081	Spring Washer	5/16"	2
59	TS-2311181	Hex Nut	M18 x 2.5	2
60	HVBS710S-60	Washer		2
61	HVBS710S-61	Bushing	Ø25 x 34 x 10mm	1
	HVBS710S-61N	Bushing (s/n 1310xxxx and higher)	Ø22 x 28 x 11mm	1
62	HVBS710S-62	Support Shaft		1
63	HVBS710S-63G	Pivot Arm		1
64	TS-0561021	Hex Nut	5/16"	1
65	TS-0051071	Hex Cap Screw	5/16" x 1-1/2"	1
66	TS-0570031	Hex Nut	3/8"	1
67	TS-0060081	Hex Cap Screw	3/8" x 1-3/4"	1
68	HVBS710S-68	Plate		1
69	TS-0060071	Hex Cap Screw	3/8" x 1-1/2"	2
70	TS-0720091	Spring Washer	3/8"	2
72	HVBS710S-72G	Upper Disc		1
73	TS-1505021	Socket Head Cap Screw	M10 x 20	4
74	HVBS710S-74	Lock Handle	3/8" x 50mm	1
75	HVBS710S-75	Bronze Bushing		1
76	HVBS710S-76	Thrust Shaft		1
77	HVBS710S-77	Scale		1
77-1	HVBS710S-77-1	Rivet	2.3 x 4 mm	2
78	HVBS710S-78	Angle Indicator		1
78-1	HVBS710S-77-1	Rivet	2.3 x 4 mm	1
81	HVBS710S-81G	Table		1
82	HVBS710S-82	Handwheel Assembly		1
83	TS-0270031	Set Screw	5/16" x 3/8"	1
84	HVBS710S-84	Lead Screw		1
85	HVBS710S-85	Key	5x5x20 mm	1
86	HVBS710S-86	Lead Screw Bracket		1
87	HVBS710S-87	Acme Nut		1
88	HVBS710S-88	Button		1
89	HVBS710S-89	Retainer		1
90	TS-2361051	Spring Washer	M5	1
91	HVBS710S-91	Round Head Screw	M5 x 8	1
92	TS-1506031	Socket Head Cap Screw	M12 x 30	2
93	TS-0720111	Spring Washer	1/2"	2
94	HVBS710S-94	Top Support		1
95	TS-0081031	Hex Cap Screw	5/16" x 3/4"	2
96	TS-0720081	Spring Washer	5/16"	2
97	HVBS710S-97	90° Support		1
98	TS-1491061	Hex Cap Screw	M10 x 40	1
99	TS-1540071	Hex Nut	M10	1
100	TS-0720091	Spring Washer	3/8"	2
101	TS-0060061	Hex Cap Screw	3/8" x 1-1/4"	2
102	HVBS710S-102	Limit Switch		1
103	HVBS710S-103	Limit Switch Cover		1
104	HVBS710S-104	Hex Cap Screw	3/16" x 3/8"	2
105	TS-0081051	Hex Cap Screw	5/16" x 1"	1
106	TS-0680031	Flat Washer	5/16"	1
107	HVBS710S-107	Thumb Screw		1
108	HVBS710S-108	Stop Bracket		1
109	HVBS710S-109	Work Stop		1
110	TS-0561021	Hex Nut	5/16"	1
111	TS-0081051	Hex Cap Screw	5/16" x 1"	1
112	HVBS710S-112	Stop Rod		1
114	TS-1492031	Hex Cap Screw	M12 x 35	2
115	TS-0720111	Spring Washer	1/2"	2
116	HVBS710S-116	Fixed Vise		1
117	TS-0060061	Hex Cap Screw	3/8" x 1-1/4"	1
118	TS-0720091	Spring Washer	3/8"	2
119	HVBS710S-119	Hexagonal Stud		1
120	TS-0680041	Flat Washer	3/8"	1

Index No.	Part No.	Description	Size	Qty
121	HVBS710S-121	Floating Vise		1
122	TS-0570031	Hex Nut	3/8"	2
123	TS-0060031	Hex Cap Screw	3/8" x 3/4"	1
124	HVBS710S-124	Spring Bracket		1
125	HVBS710S-125	Spring Adjusting Rod	3/8"	1
126	HVBS710S-126	Spring		1
127	HVBS710S-127G	Bow		1
127-1	TS-0051061	Hex Cap Screw	5/16" x 1-1/4"	4
127-2	TS-0720081	Spring Washer	5/16"	4
127-3	TS-0267042	Socket Set Screw	1/4" x 3/8"	2
131	F006229	Hex Cap Screw	3/8"-16 x 7/8"	1
131-1	TS-0720091	Spring Washer	3/8"	1
131-2	TS-0680041	Flat Washer	3/8"	1
132	HVBS710S-132	Bearing Bushing (Rear)		1
133	HVBS710S-133	Drive Wheel		1
134		Blade (local purchase)	3/4" x 0.035" x 93"	1
135	HVBS710S-135	Blade Back Cover		1
136	HVBS710S-136	Wheel Cover		1
137	HVBS710S-137	Knob		2
137-1	TS-0680021	Flat Washer	1/4"	2
138	TS-0680021	Flat Washer	1/4"	2
139	HVBS710S-49	Round Head Screw	1/4" x 1/2"	2
140	HVBS710S-140	Adjustable Guide Knob	3/8" x 1-1/4"	2
141	HVBS710S-141	Adjustable Bracket (Rear)		1
142	BB-608ZZ	Ball Bearing	608ZZ	2
143	HVBS710S-143	Bearing Pin	8 mm	2
144	HVBS710S-144	Adjustable Blade Seat (Rear)		1
144-1	HVBS710S-144-1	Adjustable Blade Seat (Front)		1
145	TS-0561032	Hex Nut	3/8"-24UNF	4
145-1	TS-0720091	Spring Washer	3/8"	4
146	HVBS710S-146	Eccentric Shaft Assembly		2
146-1	HVBS710S-146-1	Center Shaft Assembly		2
147	HVBS710S-147	Vertical Cutting Plate		1
147-1	HVBS710S-147-1	Seat Plate		1
147-2	TS-081F031	Flat Head Screw	1/4" x 1/2"	2
152	HVBS710S-152	Top Support		1
153	HVBS710S-153	Hex Cap Screw	3/8" x 1-1/4"	2
154	TS-0720091	Spring Washer	3/8"	2
155	TS-0570031	Hex Nut	3/8"	2
156	HVBS710S-49	Round Head Screw	1/4" x 1/2"	2
157	TS-0680021	Flat Washer	1/4"	2
158	HVBS710S-158	Brush Holder		1
159	TS-0267021	Socket Set Screw	1/4" x 1/4"	1
160	HVBS710S-160	Fixed Bushing		1
161	HVBS710S-161	Brush	1-1/2" x 6 mm	1
162	HVBS710S-162	Support Rod		1
163	HVBS710S-163	Nozzle Cock		2
164	HVBS710S-164	Nozzle Cock Support		2
165	TS-0267051	Socket Set Screw	1/4" x 1/2"	2
166	HVBS710S-166	Socket Head Cap Screw	5/16" x 1-1/8"	2
166-1	TS-0720081	Spring Washer	5/16"	2
167	HVBS710S-167	Connection Tube		1
168	HVBS710S-168	Hose		1
169	HVBS710S-169	Hose		1
170	HVBS710S-170	Valve		2
171	HVBS710S-171	Hose Clamp		5
172	HVBS710S-172	Shipping Bracket		1
172-1	TS-0050011	Hex Cap Screw	1/4" x 1/2"	1
172-2	TS-0720071	Spring Washer	1/4"	1
172-3	TS-0680021	Flat Washer	1/4"	1
173	HVBS710S-173	Adjustable Bracket (Front)		1
174	HVBS710S-174	Blade Guard		1

Index No.	Part No.	Description	Size	Qty
175	HVBS710S-175	Round Head Screw	3/16" x 1/4"	2
176	HVBS710S-176	Sliding Guide Plate		2
177	TS-0050011	Hex Cap Screw	1/4" x 1/2"	4
178	HVBS710S-178	Blade Tension Sliding Block		1
179	TS-0270071	Socket Set Screw	5/16" x 3/4"	1
180	TS-0051071	Hex Cap Screw	5/16" x 1-1/2"	2
181	HVBS710S-181	Sliding Draw Block		1
182	HVBS710S-182	Bearing Bushing		1
183	BB-6203ZZ	Ball Bearing	6203ZZ	2
184	HVBS710S-184	Idler Wheel		1
185	TS-0680031	Flat Washer	5/16"	1
185-1	TS-0720081	Spring Washer	5/16"	1
186	TS-0081031	Hex Cap Screw	5/16" x 3/4"	1
187	TS-0680041	Flat Washer	3/8"	1
188	HVBS710S-188	Blade Tension Handle		1
189	HVBS710S-189	Support Plate		1
190	TS-0680021	Flat Washer	1/4"	2
191	TS-0050011	Hex Cap Screw	1/4" x 1/2"	2
197	HVBS710S-197	Splash Guard (Front)		1
198	TS-0680021	Flat Washer	1/4"	2
199	TS-0720071	Spring Washer	1/4"	2
200	TS-0050011	Hex Cap Screw	1/4" x 1/2"	2
201	HVBS710S-201G	Control Box		1
202	HVBS710S-202	Strain Relief Fitting		4
203	HVBS710S-203	Control Panel		1
204	HVBS710S-204	Round Head Screw	3/16" x 3/8"	6
205	HVBS710S-205	Start Switch		1
206	HVBS710S-206	Stop Switch		1
207	HVBS710S-207	Emergency Stop Switch		1
208	TS-0050031	Hex Cap Screw	1/4" x 3/4"	2
209	HVBS710S-209	Soc Head Cap Screw	3/16" x 1/2"	3
210	HVBS710S-210	Block Plate		1
211	HVBS710S-211	C-Ring	S-17	1
212	BB-6003	Ball Bearing	6003	3
213	HVBS710S-213	Oil Seal		1
214	HVBS710S-214	Bearing Bushing		1
215	HVBS710S-215	Worm Shaft		1
216	HVBS710S-216G	Gear Box		1
217	TS-0271031	Socket Set Screw	3/8" x 3/8"	1
218	BB-6005	Ball Bearing	6005	3
219	HVBS710S-219	Oil Seal		1
220	HVBS710S-220	C-Ring	R-47	2
221	HVBS710S-221	Worm Bushing		1
222	HVBS710S-222	Key	6 x 20 mm	1
223	HVBS710S-223	Worm Gear		1
224	HVBS710S-224	Gear Box Gasket		1
225	HVBS710S-225G	Gear Box Cover		1
226	TS-0050021	Hex Cap Screw	1/4" x 5/8"	4
227	HVBS710S-227	Vent Plug		1
228	TS-0720081	Spring Washer	5/16"	3
229	TS-0051021	Hex Cap Screw	5/16" x 5/8"	3
230	TS-0051061	Hex Cap Screw	5/16" x 1-1/4"	1
231	TS-0561021	Hex Nut	5/16"	1
232	HVBS710S-232G	Motor Support Plate		1
233	HVBS710S-233G	Motor Mount Plate		1
234	TS-0561021	Hex Nut	5/16"	4
235	TS-0720081	Spring Washer	5/16"	4
236	TS-0680031	Flat Washer	5/16"	4
237	TS-0051051	Hex Cap Screw	5/16" x 1"	4
238	TS-0561021	Hex Nut	5/16"	2
239	TS-0051111	Hex Cap Screw	5/16x2-1/2	2

Index No.	Part No.	Description	Size	Qty
240	HVBS710S-240	Motor	3/4HP 1PH	1
	HVBS710S-SC	Start Capacitor	300MFD 125VAC	1
	HVBS710S-RC	Run Capacitor	20 μ F 250VAC	1
	HVBS710S-192-MF	Motor Fan (not shown)		1
	HVBS710S-192-MFC	Motor Fan Cover (not shown)		1
	HVBS710S-192-JB	Junction Box		1
	HVBS710S-192-JBC	Junction Box Cover		1
241	HVBS710S-241	Key	5mm	1
242	HVBS710S-242	Knob		1
243	HVBS710S-243	Pulley Cover		1
244	TS-0680021	Flat Washer	1/4"	2
245	TS-0050011	Hex Cap Screw	1/4" x 1/2"	2
246	TS-0270031	Socket Set Screw	5/16" x 3/8"	3
247	HVBS710S-247	Worm Pulley		1
248	HVBS710S-248	Motor Pulley		1
249	HVBS710S-249	Belt	3V270	1
250	HVBS710S-250	Magnetic Contactor (for 115V only)		1
	HVBS710S-250N	Magnetic Contactor (for 230V only)		1
	HVBS710S-251	Main power cord w/plug (not shown) (for 115V only)		1
	HVBS710S-251A	Main power cord w/plug (not shown) (for 230V only)		1
	HVBS710S-252	Motor wire (not shown)		1
	HVBS710S-253	Pump wire (not shown)		1
	HVBS710S-254	Limit Switch wire (not shown)		1
	HVBS710S-WL	Warning Label (not shown)		1
	HVBS710S-LBDA	Label – Blade Direction Arrow (not shown)		1
	HVBS710S-ID	I.D. Label (not shown)		1
	HVBS710S-HP	Hardware Package (<i>see contents page 8</i>)		1
	JET-92	JET Logo	92 x 38mm	1

15.0 Electrical Connections for HVBS-710S





427 New Sanford Road
LaVergne, Tennessee 37086
Phone: 800-274-6848
www.jettools.com