



User Instruction Manual

Wood Frame Structure Anchors

This manual is intended to meet the Manufacturer's Instructions as required by ANSI Z359 and should be used as part of an employee training program as required by OSHA. This manual assumes the user has been trained in the use of this equipment.

WARNING

This product is part of a personal fall arrest, restraint, work positioning, suspension, or rescue system. A Personal Fall Arrest System (PFAS) is typically composed of an anchorage and a Full Body Harness (FBH), with a connecting device, i.e., a Shock Absorbing Lanyard (SAL), or a Self-Retracting Device (SRD), attached to the dorsal D-ring of the FBH. These instructions must be provided to the user of this equipment. The user must read and understand the manufacturer's instructions for each component or part of the complete system. Manufacturer's instructions must be followed for proper use, care, and maintenance of this product. These instructions must be retained and be kept available for the user's reference at all times. Alterations or misuse of this product, or failure to follow instructions, may result in serious injury or death.

A Fall Protection Plan must be on file and available for review by all users. It is the responsibility of the user and the purchaser of this equipment to assure that users of this equipment are properly trained in its use, maintenance, and storage.

Training must be repeated at regular intervals. Training must not subject the trainee to fall hazards.

When this equipment is in use the employer must have a rescue plan and the means at hand to implement it and communicate that plan to users, authorized persons, and rescuers.

Consult a doctor if there is reason to doubt your fitness to safely absorb the shock of a fall event. Age and fitness seriously affect a worker's ability to withstand falls. Pregnant women or minors must not use this equipment.

NOTE: For more information on American National Standards Institute see ANSI Z359

FallTech
1306 South Alameda Street
Compton, CA 90221, USA
1-800-719-4619
1-323-752-0066
www.falltech.com
©2013

TABLE OF CONTENTS

1. DESCRIPTION

2. APPLICATION

2.1 Purpose

2.1.1 Fall Arrest Application

2.1.2 Restraint Application

2.1.3 Application Limits

3. SYSTEM REQUIREMENTS

3.1 Capacity

3.2 Compatibility of Connectors

3.3 Compatibility of Components

3.4 Making Connections

3.5 Personal Fall Arrest System

3.5.1 PFAS Anchorage Strength

3.6 Restraint System

3.6.1 Restraint Anchorage Strength

3.7 Definitions

4. INSTALLATION AND OPERATION

4.1 Anchorage Location

4.2 Fall Clearance Distance

4.3 Swing Fall

4.4 General Installation Requirements

4.4.1 Install the Type A Temporary Reusable Anchor For Fall Protection and Restraint

4.5 Install Type B Dual-Ring and Single-Ring Roof Anchor

4.5.1 Install the Type B Dual D-Ring Roof Anchor

4.5.2 Install the Type B Single D-Ring Roof Anchor

4.6 Install the Type C Single-Use Roof Anchor

4.7 Connect To the Roof Anchor

4.8 After a Fall

4.9 At Job Completion

5. SPECIFICATIONS

6. MAINTENANCE AND STORAGE

6.1 Storage

6.2 Remove from Service

7. INSPECTION

8. LABELS

APPENDIX A

Table 1, Acronyms for Fall Protection and Fall Arrest Figures 1 – 9, Inspection Record

1. DESCRIPTION

The FallTech® roof anchors covered in this manual are designed to provide an easily mounted anchorage for persons working at height on wood structures and subject to fall hazards.

For purposes of this manual, the anchors are designated as Type A, B, and C, and may be referred to as the anchor, the equipment, or the unit. See Table 1 and Figure 1-A, 1-B, and 1-C in Appendix A (henceforth, all table and figure references are to Appendix A). A list of acronyms for Fall Protection and Fall Arrest is provided in Appendix A.

Type A consists of a heavy-duty plated, forged alloy steel D-ring, mounted to plated steel base plates with pre-drilled holes. The outer rows are for nails and the countersunk center holes are for wood screws.

Type B is available in two configurations, double D-ring and single D-ring. The rings are mounted to a stainless steel base plate, with predrilled holes to accommodate stainless steel nails.

Type C consists of a pre-bent alloy steel base with pre-punched nail holes. The user bends the anchor at creased points, two large holes line up to form the attachment ring.

Type A and B anchors are ANSI Z359.1-2007 compliant and meet all applicable OSHA regulations. The Type C meets all applicable OSHA regulations.

2. APPLICATION

2.1 Purpose: Anchor Types A, B, and C are designed for use as an anchorage for a Personal Fall Arrest System (PFAS). Anchor Type A may also be utilized in restraint systems.

The Type A anchorage is for use as a temporary, reusable anchorage on the ridge or the field of wood frame roof structures.

The Type B, double and single D-ring anchor is designed to be used as a permanent anchorage connector on the roof ridge or the roof field of wood framed structures.

The Type C bent roof anchor is designed for use as a temporary single-use anchorage connector on the ridge of wood frame roof structures.

A minimum thickness of 7/16" is required for sheathing material.

2.1.1 Personal Fall Arrest System Application: Fall Arrest systems typically include a Full Body Harness (FBH) and a deceleration device such as a Shock Absorbing Lanyard (SAL), a Self-Retracting Device (SRD), or a Fall Arrestor Connector Subsystem (FACSS) when used with a rope grab/SAL. Maximum permissible free fall is six feet. See Figure 2.

2.1.2 Restraint Application: In this application, all anchors may be used as part of a complete restraint system. Such systems typically include an FBH and a lanyard in conjunction with a VLL, or restraint line used to restrain or tether the user from reaching a fall hazard (i.e. leading edge roof work). Restraints are of two types; a restraint lanyard on a manual rope grab or one equipped with a parking feature, or a short tether attached to the anchorage. No vertical free fall is permitted. See Figure 3.

2.1.3 Application Limits: Take action to avoid sharp edges, abrasive surfaces, and thermal, electrical and chemical hazards.

3. SYSTEM REQUIREMENTS

3.1 Capacity: The capacity of the anchors in Specifications is listed as 425 lbs. (193 kg). To maintain ANSI Z359 compliance, limit total user weight to no more than 310 lbs. (140.6 kg).

NOTE: Any use by any worker exceeding a total user weight of 310 lbs. (including tools and equipment) must utilize a PFAS designed for such weight. No more than one PFAS may be connected to one anchorage at one time.

3.2 Compatibility of Connectors: Connectors are considered to be compatible with connecting elements when they have been designed to work together in such a way that their sizes and shapes do not cause their gate mechanisms to inadvertently open regardless of how they become oriented. Contact FallTech if you have any questions about compatibility. Connectors must be compatible with the anchorage or other system components. Do not use equipment that is not compatible. Non-compatible connectors may unintentionally disengage. Connectors must be compatible in size, shape, and strength. Self-closing, self-locking snap hooks and carabiners are required by ANSI and OSHA.

3.3 Compatibility of Components: Equipment is designed for use with approved components and subsystems only. Substitutions or replacements made with non-approved components or subsystems may jeopardize compatibility of equipment and may affect the safety and reliability of the complete system.

3.4 Making Connections: Only use self-locking snap hooks and carabiners with this equipment. Only use connectors that are suitable to each application. Ensure all connections are compatible in size, shape and strength. Do not use equipment that is not compatible. Visually ensure all connectors are fully closed and locked. Connectors (snap hooks and carabiners) are designed to be used only as specified in each product's user's instructions. See Figure 4.

3.5 Personal Fall Arrest System: PFAS components used with this equipment must meet ANSI Z359 requirements and applicable OSHA requirements. A FBH must be worn when this equipment is used as a component of a PFAS. As required by OSHA, the personal fall arrest system must be able to arrest the user's fall with a maximum arresting force of 1,800 lbs., and limit the free fall to 6 feet or less. If the maximum free fall distance must be exceeded, the employer must document, based on test data, that the maximum arresting force will not be exceeded, and the personal fall arrest system will function properly.

When a free fall greater than 6 feet is possible, to a maximum of 12 feet, ANSI requires using a PFAS designed for a greater free fall.

3.5.1 PFAS Anchorage Strength: An anchorage selected for PFAS must have a strength able to sustain a static load applied in the direction permitted by the PFAS of at least:

- a) Two times the maximum arrest force permitted when certification exists, or
- b) 5,000 lbs. (22.2 kN) in the absence of certification.

3.6 Restraint System: Restraint systems are typically utilized to prevent the user from reaching a fall hazard area, and must meet OSHA regulations and ANSI standards.

3.6.1 Restraint Anchorage Strength: Anchorages selected for restraint, and travel restraint systems, shall have a strength able to sustain static loads applied in the directions permitted by the system of at least:

- a) 3,000 lbs. (13.3 kN) for non-certified anchorages, or
- b) two times the foreseeable force for certified anchorages.

3.7 Definitions: The following are definitions of terms as defined in ANSI Z359.0-2007.

Authorized Person: A person assigned by the employer to perform duties at a location where the person will be exposed to a fall hazard (otherwise referred to as "user" for the purpose of these instructions).

Certified Anchorage: An anchorage for fall arrest, positioning, restraint, or rescue systems that a qualified person certifies to be capable of supporting the potential fall forces that could be encountered during a fall or that meet the criteria for a certified anchorage prescribed in the standard.

Competent Person: One who is capable of identifying existing and predictable hazards in the surroundings or working conditions which are unsanitary, hazardous, or dangerous to employees, and who has authorization to take prompt corrective measures to eliminate them.

Qualified Person: A person with a recognized degree or professional certificate and with extensive knowledge, training, and experience in the fall protection and rescue field who is capable of designing, analyzing, evaluating and specifying fall protection and rescue systems to the extent required by the standard.

Rescuer: Person or persons other than the rescue subject acting to perform an assisted rescue by operation of a rescue system.

4. INSTALLATION AND OPERATION

Installation of anchorages must be under the supervision of a Competent Person trained in their design and use.

NOTE: Approved fall protection may be required during installation of all Anchorage units discussed in this manual.

DO NOT use any anchorage discussed in this manual until the system has been completely installed, inspected, and approved for use by a Competent Person.

4.1 Anchorage Location: Select a suitable anchorage point that will support the strength requirement and minimize free fall and swing hazards. See Section 3 of this manual for anchorage strength requirements. See paragraph 4.4 for additional anchorage location information.

DO NOT work above the anchorage point.

4.2 Fall Clearance Distance: Take action to reduce the danger of falls. Ensure sufficient clearance in the fall area to arrest the fall before striking the ground or other objects. The actual clearance required is dependent upon the type of connecting subsystem used (energy absorbing lanyard, self-retracting device, etc.). Refer to connecting subsystem manufacturer's instructions for fall clearance information.

4.3 Swing Fall: Swing falls occur when the anchorage point is not directly above the point where a fall occurs. The total fall distance may be greatly increased during a swing fall. The force of striking an object in a swing fall may cause serious injury. Minimize swing falls by installing anchors at least six feet from exposed roof edges and by working as directly below the anchorage point as possible. The user must be positioned within 30 degrees of the roof anchor. Move the anchor as required or install additional anchors no more than 8 feet apart. See Figure 5 and Figure 6.

4.4 General Installation Requirements: The Type A, B, and C Anchors are designed for roof installation on wood frame structures, on top of the sheathing. Install the anchors at least six feet from any exposed roof edge. If necessary, install additional anchors, a maximum of eight feet apart. On very small roof areas, locate the roof anchor as far from the roof edge as possible. Place at least one anchor per hip roof.

See paragraph 3.5.1. See Figures 7 and 8.

DO NOT

- mount an anchor directly onto a truss with no sheathing substrate.
- mount the anchor on unsupported roof areas such as eaves, gables and overhangs.
- use an anchor mounted downslope on the opposite side of the ridge. Install a separate anchor.
- use the anchorage until the system has been completely installed, inspected, and approved for use by a Competent Person.

NOTE: The requirement for approved fall protection during installation of this anchor applies to all anchor models covered in this manual.

4.4.1 Install the Type A Temporary Reusable Anchor for Fall Protection and Restraint: This anchor is designed as a temporary anchor, for multiple installation arrangements. The Type A may be installed, utilized then removed and reinstalled and reused at another location, on the ridge or the field, through the sheathing into a truss, or through the sheathing only. See Figure 8.

Location is determined by fastener type, nails or screws.

If the fastener choice is nails, place the anchor on the sheathing with one outside row of holes centered on the truss. Drive in five #16d x 3.5" nails on each plate, through the sheathing, into the truss. Drive in five more on the other outer row of each plate. This row will not engage the truss.

DO NOT install the Type A anchor onto the ridge or field into sheathing only with nails. All installations with nails must engage a truss.

If the choice is wood screws, place the anchor on top of the sheathing at the chosen location. Drive in six #14 flat head wood screws in each leg. Each screw must penetrate the truss a minimum of 1-1/2"

The Type A anchor may be installed with screws onto the field or ridge through the sheathing and into the truss if the sheathing is a minimum 3/4" CDX plywood.

DO NOT install the Type A anchor into sheathing only on any other substrate or onto any CDX of less than 1-1/2".

WARNING

Do not re-use fasteners. If the anchor is removed and reinstalled provide new fasteners at each installation.

4.5 Install Type B Dual-Ring and Single-Ring Roof Anchor: Type B anchors are designed to be permanently installed and used as a fall protection anchorage on a wood frame structure. The mounting plate is shingled over and left in place, leaving the rings exposed for attachment of a PFAS. Type B anchors are not designed to be removed, reinstalled and reused.

4.5.1 Install The Type B Dual D-Ring Roof Anchor: The Dual-Ring Type B is designed for permanent installation on the roof ridge, on top of the sheathing, over a truss. Drive in ten 16d x 3.5" stainless steel nails. See Figure 8.

4.5.2 Install The Type B Single D-Ring Roof Anchor: The Type B Single-D Ring Roof Anchor is designed for permanent installation on a wood frame structure, just below the ridge, under the ridge cap, or on the roof field. Drive in fourteen #16d x 3.5" stainless steel nails. Use all holes. The base plate is capped and/or shingled over, leaving the D-ring exposed for attachment of a PFAS. The Type B Single D-Ring Roof Anchor is not designed to be removed, reinstalled and reused. See Figure 8.

4.6 Install the Type C Single-Use Roof Anchor: The Type C Single-Use Roof Anchor is designed for a single use. The Type C anchor is shipped as a pre-shaped unit. Grasp the base plates firmly and bend at the crease to bring the D-ring faces into alignment. See Figure 9. Position the base plates onto the sheathing, over the ridge, directly over a rafter or truss. Drive in eight #16d x 3.5" vinyl coated nails.

4.7 Connect To The Roof Anchor: Connect to the roof anchor using an approved PFAS or restraint system.

WARNING

Read and follow the manufacturer's instructions for the fall protection equipment of choice.

4.8 After a Fall: Any equipment subjected to fall arrest forces or exhibiting damage consistent with the effect of a fall event must be removed from service immediately.

4.9 At Job Completion: Anchor Type A is designed as a temporary reusable anchor, to be removed and reinstalled. If nailed, pry loose the anchor. Exercise caution, do not bend or deform the base plate. Do not pull on the D-ring to detach the anchor. If attached with screws, remove the screws. The user must make any necessary roof or structural repairs that result from installation, use and de-installing the anchor.

Anchor Type B Dual and Single D-ring are designed as a permanently installed anchor, left in place, with the base plate shingled over leaving the D-ring(s) exposed for attachment of a PFAS or restraint system.

Anchor Type C is designed as a single-use anchor. At job completion, hammer the upright ring faces flat to one side and shingle over it, or remove it. The user must make any necessary roof or structural repairs that result from installation, use and de-installing the anchor.

5. SPECIFICATIONS

For Anchor Type Designation & Model Number, Dimensions, Description & Material, Capacity & Rated Strength, and an Anchorage Image, see Table 1 in Appendix A.

6. MAINTENANCE AND STORAGE

There is no regular maintenance required for this equipment.

6.1 Storage: When not installed, store in a clean, dry area. Avoid direct sunlight and exposure to environmental elements. Do not place other equipment or objects on top of the anchors. Do not store in a manner that would allow other equipment to bend, crack, contaminate or otherwise damage the unit.

6.2 Remove From Service: Remove the anchor from service if it has been subjected to fall arrest forces or fails inspection.

7. INSPECTION OF WOOD FRAME STRUCTURE ANCHORS

Prior to each use, the user must inspect the anchor for any physical damage, wear, corrosion or missing parts. If the anchorage has been subjected to fall arrest forces it must be removed from service.

Inspect for:

1. cracks or fractures
2. broken welds or rings
3. corrosion
4. bent plates or rings
5. a build-up of contaminants

If routine inspection reveals damage to the anchor, discontinue use and remove it from service.

To inspect permanent anchors, inspect visible portions of the installation. If exposed portions of anchors show corrosion or damage, remove it.

Record inspection results on the Inspection Record found in Appendix A.

8. LABELS

Product labels must be present and legible.

FallTech #7431 Permanent Roof Anchor

- 1.5mm Stainless Steel Construction
- Min Break Strength = 5000lbs
- Min Capacity = 310lbs (one person = clothing, tools, etc)
- Fully Complies with all OSHA, 1926 & ANSI Z359 Regulations

WARNING

-Instructions are printed on anchor label
-Read, understand and follow all manufacturer's instructions prior to use. Failure to do so may result in serious injury or death.
-Immediately remove from service and destroy if damaged or subjected to fall arrest forces.

Additional Warnings

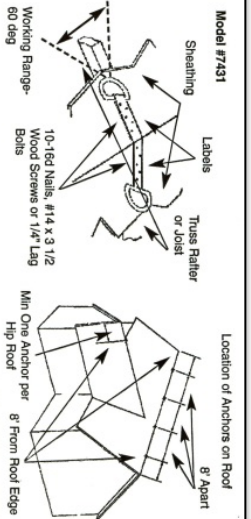
-Use only compatible connectors, gate opening must be 7/8" or less.
-Use only as part of a design-compatible Personal Fall Arrest System. Do not use this anchor as a part of a design-compatible Personal Fall Arrest System. Do not use this anchor in conjunction with incompatible components. Avoid contact with heavy machinery, electrical hazards, sharp edges. Contact manufacturer if in doubt about any component.
-Do not attempt to repair. If damaged, immediately remove from service.

Inspect Before Use

-Always inspect before each use. Do not use if anchor shows cracks, rust, dents, deformities or bending. Must be inspected by a competent person every 6 months. Store in a clean, dry location. If this anchor does not pass inspection, remove from service.
-Additional information, questions or replacement instructions, contact FallTech 800-719-4619, www.falltech.com
Fall Tech Production, Precision Engineering

Instructions

- Read all warnings, instructions and inspect all equipment before use.
- Attach to roof peak with (10) 16d nails, #14 x 3 1/2" wood screws or 1 1/4" lag bolts driven through sheathing and into structural member capable of supporting 5000 lbs.
- Attach labeling to anchor and ensure that snaphook is secure and the gate is locked. The off immediately. Make sure where is counter-weighted.
- Ensure that no debris or material interferes with the operation of the anchor and that it is not in contact with any sharp edges.
- Ensure the rope grab travels, locks and is attached in the correct position.
- #7431 Permanent Roof Anchor is designed to be installed beneath ridge cap with D-rings exposed



Read, understand and follow all instructions prior to using this product. Make sure Roof Anchor is in serviceable condition. Immediately remove from service if damaged or subjected to fall arrest forces. Make only compatible connections. Do not alter, misuse or combine with incompatible components. Avoid contact with machinery, electrical hazards or sharp edges. Do not attempt to repair. If inspection reveals Roof Anchor to be damaged or if Roof Anchor has been subjected to fall arrest forces (or equivalent), immediately remove from service.

This anchorage connector is intended to be installed on a wood framed structure capable of supporting 5000lbs. Only one personal protective system may be installed per anchor. Free fall must not exceed 6 feet. Make certain adequate clear fall distance exists between working surface and next lower level. When installing, be aware of swing fall hazards. Be aware of corrosive and chemical hazards and their effects. Product not designed for permanent installation. Refer to instruction manual for proper method of connecting to this anchor, and connector compatibility. Refer to instruction manual for inspection requirements.

FallTech #7410 RE-USABLE ROOF ANCHOR

- Part # 7410 Reusable Roof Anchor
- Alloy steel construction
- Min break strength: 5000lbs
- Max capacity: 310lbs (one person + clothing, tools, etc.)
- Always follow instructions included with roof anchor at time of shipment.

- Meets OSHA 1926.502 ANSI Z359.1-2007
- Use only as part of a design compatible Personal Fall Arrest System (PFAS).
- Do not use for other purposes.
- For temporary use only.

- INSTALLATION:**
- 16d nails (for 20 side holes): Minimum of 10 nails driven into sheathing and truss and minimum of 10 nails driven into sheathing.
 - #14 x 3.5" wood screws (for 12 center holes): Screw into sheathing or into sheathing and truss.
 - Read instruction manual included with anchor for additional information on correct installation practices and anchor limitations.



- FallTech #7434 Permanent Roof Anchor**
- 1.5mm Stainless Steel Construction
 - Max Capacity = 5000lbs
 - Min Break Strength = 310lbs (one person = clothing, tools, etc)
 - Fully Complies with OSHA 1926 and ANSI Z359 Regulations

WARNING

-Instructions are printed on anchor label
-Read, understand and follow all manufacturer's instructions prior to use. Failure to do so may result in serious injury or death.
-Immediately remove from service and destroy if damaged or subjected to fall arrest forces

Additional Warnings

-Use only compatible connectors, gate opening must be 1" or less.
-Use only as part of a design-compatible Personal Fall Arrest or Restraint System. Do not use this anchor as a part of a design-compatible Personal Fall Arrest System. Do not use this anchor in conjunction with incompatible components. Avoid contact with heavy machinery, electrical hazards, sharp edges. Contact manufacturer if in doubt about any component.
-Do not attempt to repair. If damaged, immediately remove from service.
-DO NOT REMOVE LABEL

Purpose:

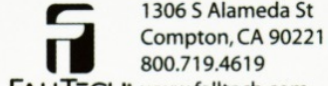
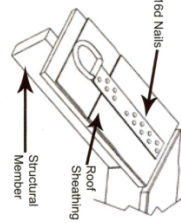
-This anchor is designed to be used as an anchorage connector to a wood structure. This anchorage connector may be used for personal arrest or support equipment or tools from the edge of a roof. Max fall distance is 6 feet. Do not use for permanent fall arrest system with an ANSI Z359.1 compliant Personal Fall Arrest System

Limitations:

-This anchorage connector is intended to be installed on a wood framed structure capable of supporting 5000lbs.
-The anchorage connector may be installed per roof anchor.
-Free fall must be limited to a maximum distance of 6 feet.
-Make certain adequate clearance exists between working surface and next lower level.
-Be aware of corrosive and chemical hazards and their effects.
-Do not install anchor near electrical hazards.
-Only use anchor after being properly trained

Instructions

- Read all warnings, instructions and inspect all equipment before use. Make sure roof anchor is in serviceable condition.
- Position roof anchor such that all 14 nail holes are positioned over a framing member. FallTech recommends pre-drilling into framing member to anchor and ensure snaphook is secure and gate is locked. The off immediately. Make sure lifeline is counterweighted. When installing, be aware of swing fall hazards.
- Make sure that no debris or material interferes with the action of the lifeline and that it is not in contact with any sharp edges.
- Ensure the rope grab travels, locks and is attached in the correct position.
- Read instruction manual for proper method of connecting to this anchor, and connector compatibility.
- Roof anchor should be installed at a minimum of two pieces of ridge cap.
- Roof anchor should be installed at the roof peak, and at least 6 feet from any roof edge. If more than one anchor is needed, install at 8 foot intervals.
- ONLY work on the side of the roof that anchor is installed. DO NOT work on opposite side without installing additional anchor(s).
- Do not install roof anchor on eaves, gable overhangs or fascia board



- #7444 Single Use Roof Anchor**
- Carbon steel construction
 - Min break strength = 3600lbs
 - Max capacity = 310lbs (one person + clothing, tools, etc)
 - Do not alter, misuse, modify or combine with incompatible components. Avoid contact with heavy machinery, electrical hazards, sharp edges. Contact manufacturer if in doubt about any component.
 - Do not attempt to repair. If damaged, immediately remove from service and destroy if damaged or subjected to fall arrest forces.

WARNING

-Instructions are printed on anchor label
-Read, understand and follow all instructions prior to use.
-Immediately remove from service and destroy if damaged or subject to fall arrest forces.
-Make only compatible connections
-Do not alter, misuse or combine with incompatible components. Avoid contact with machinery, electrical hazards or sharp edges.
-Do not attempt to repair. If damaged, remove from service.

LIMITATIONS

-This anchorage connector is intended to be installed on a wood framed structure capable of supporting 5000lbs.
-Only one personal protective system may be installed per anchor.
-Free fall must not exceed 6 feet.
-Make certain adequate clearance exists between working surface and next lower level.
-Be aware of corrosive and chemical hazards and their effects.
-Product not designed for permanent or reusable use
-Only use anchor after being properly trained.

Anclajes para estructuras con marco de madera

Este manual está destinado a cumplir con las instrucciones del fabricante, según lo requerido por ANSI Z359 y debe utilizarse como parte de un programa de capacitación para empleados según se requiere por la OSHA. Este manual asume que el usuario ha sido capacitado en el uso de este equipo.

ADVERTENCIA

Este producto es parte de un sistema personal de detención de caídas, de restricción, posicionamiento del trabajo, suspensión o de rescate. Un Sistema personal de detención de caídas (PFAS, por sus siglas en inglés) por lo general está compuesto de un anclaje y un Arnés de cuerpo completo (FBH, por sus siglas en inglés), con un dispositivo de conexión, es decir, una Cuerda de salvamento con amortiguación (SAL, por sus siglas en inglés), o un Dispositivo autorretráctil (SRD, por sus siglas en inglés), conectado al anillo en "D" dorsal del FBH. Estas instrucciones se deben proporcionar al usuario de este equipo. El usuario debe leer y comprender las instrucciones del fabricante para cada componente o parte del sistema completo. Las instrucciones del fabricante deben seguirse para el uso, cuidado y mantenimiento correctos de este producto. Estas instrucciones deben conservarse y mantenerse disponibles para consulta del usuario en todo momento. Las alteraciones o el uso indebido de este producto o no seguir las instrucciones pueden causar lesiones graves o la muerte.

Un Plan de protección contra caídas debe estar archivado y disponible para su revisión por parte de todos los usuarios. El usuario y el comprador de este equipo tienen la responsabilidad de asegurarse de que los usuarios de este equipo están debidamente capacitados sobre su uso, mantenimiento y almacenamiento.

La capacitación se debe repetir a intervalos regulares. La capacitación no debe someter a los usuarios a peligros de caídas.

Cuando este equipo está en uso, el empleador debe tener un plan de rescate y los medios a la mano para implementarlo, y debe comunicar el plan a los usuarios, las personas autorizadas y al personal de rescate.

Consulte a un médico si hay razones para dudar de su aptitud para absorber con seguridad el impacto de un evento de caída. La edad y el estado físico afectan gravemente a la capacidad de los trabajadores para soportar caídas. Las mujeres embarazadas y los menores de edad no deben utilizar este equipo.

NOTA: Para obtener más información sobre el Instituto Nacional de Normas de los Estados Unidos, consulte ANSI Z359

FallTech
1306 South Alameda Street
Compton, CA 90221, USA
1-800-719-4619
1-323-752-0066
www.falltech.com

©2013

ÍNDICE

1. DESCRIPCIÓN

2. APLICACIÓN

2.1 Objetivo

2.1.1 Aplicación de detención de caídas

2.1.2 Aplicación de restricción

2.1.3 Límites de la aplicación

3. REQUISITOS DEL SISTEMA

3.1 Capacidad

3.2 Compatibilidad de conectores

3.3 Compatibilidad de componentes

3.4 Realizar las conexiones

3.5 Sistema personal de detención de caídas

3.5.1 Resistencia del anclaje del PFAS

3.6 Sistema de restricción

3.6.1 Resistencia del anclaje de restricción

3.7 Definiciones

4. INSTALACIÓN Y OPERACIÓN

4.1 Ubicación del anclaje

4.2 Distancia de caída despejada

4.3 Caída con balanceo

4.4 Requisitos generales de instalación

4.4.1 Instalar el anclaje reutilizable temporal tipo A para la protección y retención de caídas

4.5 Instalar anclaje de techo con uno o dos anillos Tipo B

4.5.1 Instalar el anclaje de techo con anillo en "D" doble Tipo B

4.5.2 Instalar el anclaje de techo con un anillo en "D" Tipo B

4.6 Instalar el anclaje de techo para un solo uso Tipo C

4.7 Conectar al anclaje del techo

4.8 Después de una caída

4.9 Al concluir el trabajo

5. ESPECIFICACIONES

6. MANTENIMIENTO Y ALMACENAMIENTO

6.1 Almacenamiento

6.2 Retirar de servicio

7. INSPECCIÓN

8. ETIQUETAS

APÉNDICE A

Tabla 1, Siglas para la protección y detención de caídas, Figuras 1 – 9. Registro de inspección

1. DESCRIPCIÓN

Los anclajes de techo FallTech® cubiertos en este manual están diseñados para proporcionar un anclaje montado fácilmente para las personas que trabajan en alturas en estructuras de madera y que están sujetas a peligros de caídas.

Para los efectos de este manual, los anclajes están designados como Tipo A, B y C, y se pueden denominar como el anclaje, el equipo o la unidad. Ver Tabla 1 y las Figuras 1-A, 1-B y 1-C en el Apéndice A (en adelante, todas las referencias de figuras y tablas se encuentran en el Apéndice A). La lista de siglas utilizadas en protección contra caídas y detención de caídas se proporciona en el Apéndice A.

El Tipo A consiste en un anillo en "D" en aleación de acero forjado para servicio pesado, montado en placas de base en acero chapado con agujeros pre-taladrados. Las filas exteriores son para los clavos y los agujeros avellanados del centro son para los tornillos para madera.

El Tipo B está disponible en dos configuraciones, con uno o dos anillos en "D". Los anillos están montados en una placa de base de acero inoxidable, con agujeros pre-taladrados para acomodar los clavos de acero inoxidable.

El Tipo C consta de una base en aleación de acero pre-doblada con agujeros pre-taladrados para los clavos. El usuario dobla el anclaje en los puntos de los pliegues, y dos agujeros grandes están alineados para formar el anillo de conexión.

Los anclajes Tipo A y B cumplen con ANSI Z359.1-2007 y con todos los reglamentos aplicables de la OSHA. El tipo C cumple con todos los reglamentos aplicables de la OSHA.

2. APLICACIÓN

2.1 Objetivo: Los anclajes Tipos A, B y C están diseñados para su uso como un anclaje para un Sistema personal de detención de caídas (PFAS, por sus siglas en inglés). El anclaje Tipo A también se puede utilizar en sistemas de restricción.

El anclaje Tipo A se utiliza como anclaje temporal y reutilizable en el caballete o en el campo de las estructuras de techos con marco de madera.

El anclaje Tipo B con uno o dos anillos en "D" está diseñado para ser utilizado como un conector de anclaje permanente en el caballete del techo o en el campo del techo de las estructuras con marcos de madera.

El anclaje para techo con curva Tipo C está diseñado para su uso como un conector de anclaje temporal de un solo uso en el caballete de las estructuras de techos con marcos de madera.

Se requiere un grosor mínimo de 7/16" (1,1 cm) para el material de revestimiento.

2.1.1 Aplicación del Sistema personal de detención de caídas: Los sistemas de detención de caídas incluyen por lo general un Arnés de cuerpo completo (FBH) y un dispositivo de desaceleración, tales como una Cuerda con amortiguación (SAL), un Dispositivo autorretráctil (SRD), o un Subsistema de conexión de detenedor de caídas (FACSS) cuando se utiliza con un agarre de cuerda/SAL. La caída libre máxima permitida es de seis pies (1,8 m). Ver la Figura 2.

2.1.2 Aplicación de restricción: En esta aplicación, todos los anclajes se pueden utilizar como parte de un sistema completo de restricción. Estos sistemas suelen incluir un FBH y una cuerda en conjunción con una VLL, o cuerda de restricción utilizada para retener o atar al usuario para evitar que llegue a un peligro de caída (es decir, que llegue al borde del trabajo en el techo). Las restricciones son de dos tipos; una cuerda de restricción en un agarre de cuerda manual o una equipada con una función de detención, o un amarre corto conectado al anclaje. No se permite la caída libre vertical. Ver la Figura 3.

2.1.3 Límites de la aplicación: Tome medidas para evitar los bordes afilados, superficies abrasivas y peligros térmicos, eléctricos y químicos.

3. REQUISITOS DEL SISTEMA

3.1 Capacidad: La capacidad de los anclajes en las especificaciones se indica como 425 libras (193 kg). Para mantener el cumplimiento de ANSI Z359, limite el peso total del usuario a no más de 310 libras (140,6 kg).

NOTA: Cualquier uso por parte de un trabajador que se exceda del peso total del usuario de 310 libras (140,6 kg) (incluidas las herramientas y los equipos) debe utilizar un PFAS diseñado para dicho peso. No puede estar conectado más de un PFAS a un anclaje a la vez.

3.2 Compatibilidad de conectores: Los conectores son considerados compatibles con elementos de conexión cuando se han diseñado para funcionar en conjunto, de manera que sus formas y tamaños no causen que sus mecanismos de compuerta se abran inadvertidamente, de manera independiente a la forma en que queden orientados. Comuníquese con FallTech si tiene alguna pregunta acerca de la compatibilidad. Los conectores deben ser compatibles con el anclaje u otros componentes del sistema. No utilice el equipo que no sea compatible. Los conectores no compatibles pueden soltarse accidentalmente. Los conectores deben ser compatibles en tamaño, forma y resistencia. Los mosquetones y ganchos de cierre automático son requeridos por ANSI y la OSHA.

3.3 Compatibilidad de componentes: El equipo está diseñado para su uso sólo con componentes y subsistemas aprobados. Las sustituciones o reemplazos realizados con componentes o subsistemas no aprobados pueden poner en peligro la compatibilidad de los equipos y pueden afectar a la seguridad y la fiabilidad del sistema completo.

3.4 Realizar las conexiones: Utilice sólo mosquetones y ganchos de cierre automático con este equipo. Utilice sólo los conectores que son adecuados para cada aplicación. Asegúrese de que todas las conexiones son compatibles en tamaño, forma y resistencia. No utilice el equipo que no sea compatible. Asegúrese visualmente de que todos los conectores están completamente cerrados y bloqueados. Los conectores (mosquetones y ganchos de cierre automático) están diseñados para ser usados sólo como se indica en las instrucciones del usuario de cada producto. Ver la Figura 4.

3.5 Sistema personal de detención de caídas: Los componentes del Sistema personal de detención de caídas (PFAS, por sus siglas en inglés) utilizado con este equipo deben cumplir con los requisitos de ANSI Z359 y los reglamentos aplicables de la OSHA. Se debe utilizar un Arnés de cuerpo completo (FBH, por sus siglas en inglés) cuando se utiliza este equipo como un componente de un PFAS. La OSHA exige el uso del sistema personal de detención de caídas para detener la caída del usuario con una fuerza máxima de detención de 1.800 libras (816,5 kg), y para limitar la caída libre a 6 pies (1,8 m) o menos. Si se debe exceder la distancia máxima de caída libre, el empleador debe documentar, con base en los datos de prueba, que no se excederá de la fuerza máxima de detención, y que el sistema personal de detención de caídas funcionará correctamente.

Cuando es posible una caída libre de más de 6 pies (1,8 m), hasta un máximo de 12 pies (3,6 m), ANSI requiere el uso de un PFAS diseñado para una caída libre mayor.

3.5.1 Resistencia del anclaje del PFAS: El anclaje seleccionado para el PFAS debe tener una resistencia capaz de sostener una carga estática aplicada en la dirección permitida por el PFAS de al menos:

- dos veces el máximo de fuerza de detención permitida cuando exista la certificación, o
- 5.000 libras (2.268 kg) (22.2 kN) en ausencia de la certificación.

3.6 Sistema de restricción: Los sistemas de restricción se utilizan por lo general para evitar que el usuario llegue a un área de peligro de caída, y deben cumplir con los reglamentos de OSHA y ANSI.

3.6.1 Resistencia del anclaje de restricción: Los anclajes seleccionados de restricción, y los sistemas de restricción del recorrido, deberán tener una resistencia capaz de sostener cargas estáticas aplicadas en las direcciones permitidas por el sistema de al menos:

- 3.000 libras (1.360,8 kg) (13.3 kN) para los anclajes que no tengan certificación, o
- dos veces la fuerza previsible para los anclajes certificados.

3.7 Definiciones: Las siguientes son las definiciones de los términos según se definen en la norma ANSI Z359.0-2007.

Persona autorizada: Una persona asignada por el empleador para realizar sus obligaciones en un lugar donde la persona estará expuesta a un peligro de caída (de lo contrario, se denomina como "usuario" a los efectos de estas instrucciones).

Anclaje certificado: Un anclaje para detención de caídas, posicionamiento, restricción, o sistemas de rescate que una persona calificada certifica de que puede soportar las posibles fuerzas de caída, las cuales podrían presentarse durante una caída o que cumplen con los criterios para un anclaje certificado previsto en la norma.

Persona competente: Una persona que es capaz de identificar los peligros existentes y predecibles en los alrededores o condiciones de trabajo que son insalubres o peligrosas para los empleados, y quien tiene la autorización para tomar con prontitud medidas correctivas para eliminarlos.

Persona calificada: Una persona con un título o certificado profesional reconocido y con amplios conocimientos, capacitación y experiencia en la protección contra caídas y el campo de rescate, quien es capaz de diseñar, analizar, evaluar y especificar los sistemas de protección contra caídas y sistemas de rescate en la medida exigida por la norma.

Socorrista: Persona o personas distintas al sujeto que actúa en la realización de un rescate asistido por la operación de un sistema de rescate.

4. INSTALACIÓN Y OPERACIÓN

La instalación de los anclajes debe estar bajo la supervisión de una Persona competente, capacitada en su diseño y uso.

NOTA: La protección contra caídas aprobada puede ser necesaria durante la instalación de todas las unidades de anclajes descritas en este manual.

NO utilice cualquier anclaje descrito en este manual hasta que el sistema se haya instalado, inspeccionado, y aprobado por completo para su uso por parte de una Persona competente.

4.1 Ubicación del anclaje: Seleccione un punto de anclaje adecuado para apoyar el requisito de resistencia y minimizar los peligros de caída libre y balanceo. Consulte la Sección 3 de este manual para los requisitos de resistencia del anclaje. Consulte el párrafo 4.4 para información adicional sobre la ubicación del anclaje.

NO trabaje por encima del punto de anclaje.

4.2 Distancia de caída despejada: Tome medidas para reducir el peligro de caídas. Asegúrese de que haya suficiente espacio libre en el área de caída para detener la caída antes de que entre en contacto con el suelo u otros objetos. La distancia despejada necesaria depende del tipo de subsistema de conexión utilizado (cuerda de salvamento de absorción de energía, dispositivo autorretráctil, etc.). Consulte las instrucciones del fabricante del subsistema de conexión para obtener información sobre la distancia despejada para caídas.

4.3 Caída con balanceo: La caída con balanceo se produce cuando el punto de anclaje no está directamente por encima del punto donde ocurre la caída. La distancia total de caída se puede aumentar considerablemente durante una caída con balanceo. La fuerza de golpear un objeto en una caída con balanceo puede causar lesiones graves. Minimice las caídas con balanceo al instalar los anclajes a por lo menos seis pies (1,8 m) de los bordes expuestos y al trabajar lo más directamente posible por debajo del punto de anclaje. El usuario debe estar ubicado a menos de 30 grados del anclaje del techo. Mueva el anclaje según sea necesario o instale anclajes adicionales a no más de 8 pies (2,4 m) de distancia. Ver las Figuras 5 y 6.

4.4 Requisitos generales de instalación: Los anclajes Tipo A, B y C están diseñados para su instalación en techos en estructuras de marcos de madera, en la parte superior del revestimiento. Instale los anclajes a por lo menos seis pies (1,8 m) de cualquier borde expuesto del techo. Si es necesario, instale anclajes adicionales, a un máximo de ocho pies (2,4 m) de distancia. En las zonas muy pequeñas del techo, ubique el anclaje del techo tan lejos del borde del techo como sea posible. Coloque al menos un anclaje por techo a cuatro aguas.

Consulte el párrafo 3.5.1. Consulte las Figuras 7 y 8.

NO

- monte un anclaje directamente en un puntal sin substrato de revestimiento.
- monte el anclaje en las áreas sin apoyo del techo, tales como los aleros, gabletes y salientes.
- utilice un anclaje montado ladera abajo en el lado opuesto del caballete. instale un anclaje separado.
- utilice el anclaje hasta que el sistema se haya instalado, inspeccionado, y aprobado por completo para su uso por parte de una Persona competente.

NOTA: El requisito de protección contra caídas aprobada durante la instalación de este anclaje se aplica a todos los modelos de anclajes cubiertos en este manual.

4.4.1 Instalar el anclaje reutilizable temporal tipo A para la protección y retención de caídas: Este anclaje está diseñado como un anclaje temporal, para arreglos de instalación múltiple. El tipo A se puede instalar, utilizar, remover y volver a instalar y utilizar en otra ubicación, en el caballete o en el campo, a través del revestimiento del puntal, o a través del revestimiento únicamente. Ver la Figura 8.

La ubicación está determinada por los tipos de fijadores, clavos o tornillos.

Si el dispositivo de fijación son los clavos, coloque el anclaje sobre el revestimiento con una hilera exterior de agujeros centrados en el puntal. Coloque cinco clavos #16d x 3.5" (8,8 cm) encada placa, a través del revestimiento, en el puntal. Clave cinco más en la otra fila exterior de cada placa. Esta fila no se acoplará al puntal.

NO instale el anclaje Tipo A en el caballete o en el campo en el revestimiento sólo con los clavos. Todas las instalaciones con clavos deben incluir al puntal.

Si la elección es tornillos para madera, coloque el anclaje en la parte superior del revestimiento en la ubicación seleccionada. Coloque seis tornillos #14 para madera de cabeza plana en cada pierna. Cada tornillo debe penetrar el puntal a un mínimo de 1-1/2" (38 mm).

El anclaje Tipo A puede ser instalado con tornillos en el campo o en el caballete

a través del revestimiento y dentro de los puntales, si el revestimiento tiene un mínimo de 3/4" (19 mm) CDX en madera contrachapada.

NO instale el anclaje Tipo A en el revestimiento en cualquier otro sustrato o cualquier CDX de menos de 1-1/2" (38 mm).

ADVERTENCIA

No vuelva a utilizar los sujetadores. Si se remueve el anclaje y se vuelve a instalar, debe proporcionar nuevos sujetadores en cada instalación.

4.5 Instalar anclaje de techo con uno o dos anillos Tipo B: Los anclajes Tipo B están diseñados para ser instalados de forma permanente y usados como anclaje para protección contra caídas en una estructura con marco de madera. La placa de montaje es de tejas y se deja en su lugar, dejando los anillos expuestos para la conexión de un PFAS. Los anclajes Tipo B no están diseñados para ser removidos, reinstalados ni reutilizados.

4.5.1 Instalar el anclaje de techo con anillo en "D" doble Tipo B: El Tipo B con dos anillos está diseñado para su instalación permanente en el caballete del techo, en la parte superior del revestimiento, sobre el puntal. Coloque diez clavos de acero inoxidable 16d x 3.5" (88 mm) Ver la Figura 8.

4.5.2 Instalar el anclaje de techo con un anillo en "D" Tipo B: El anclaje de techo con un anillo en "D" Tipo B está diseñado para su instalación permanente en una estructura con marco de madera, justo por debajo del caballete, debajo de la cumbrera, o en el campo del techo. Coloque catorce clavos de acero inoxidable 16d x 3.5" (88 mm) Utilice todos los orificios. La placa de montaje es de tope y/o tejas y se deja en su lugar, dejando el anillo en "D" expuesto para la conexión de un PFAS. El anclaje de techo con un anillo en "D" Tipo B no está diseñado para ser removido, reinstalado ni reutilizado. Ver la Figura 8.

4.6 Instalar el anclaje de techo para un solo uso Tipo C: El anclaje de techo para un solo uso Tipo C está diseñado para un solo uso. El anclaje Tipo C se envía como una unidad pre-formada. Sujete las placas de la base firmemente y doble en el pliegue para alinear las caras del anillo en "D". Ver la Figura 9. Coloque las placas de la base en el revestimiento, sobre el caballete, directamente en la viga o puntal. Coloque ocho clavos revestidos en vinilo 16d x 3.5" (88 mm).

4.7 Conectar al anclaje del techo: Conecte al anclaje de techo con un PFAS o sistema de restricción aprobado.

ADVERTENCIA

Lea y siga las instrucciones del fabricante para el equipo de protección contra caídas de su elección.

4.8 Después de una caída: Cualquier equipo sometido a fuerzas de detención de caídas o que muestren algún daño consecuente con el efecto de un evento de caída debe ser retirado de servicio de forma inmediata.

4.9 Al concluir el trabajo: El anclaje Tipo A está diseñado como un anclaje temporal reutilizable, que se puede remover y volver a instalar. Si lo clava, afloje el anclaje. Proceda con prudencia, no doble ni deforme la placa de base. No hale el anillo en "D" para desconectar el anclaje. Si está conectado con tornillos, retire los tornillos. El usuario debe realizar cualquier reparación estructural o del techo que sea necesaria, la cual resulte de la instalación, uso y desinstalación del anclaje.

El anclaje Tipo B con uno o dos anillos en "D" está diseñado como un anclaje instalado de forma permanente, el cual se deja en su lugar, con la placa base traslapada para que el (los) anillo(s) en "D" quede(n) expuesto(s) para la conexión de un PFAS o un sistema de restricción.

El anclaje Tipo C está diseñado como un anclaje para un solo uso. Al concluir el trabajo, martille los lados verticales del anillo para que queden planos a un lado y coloque tejas sobre el mismo o remuévalo. El usuario debe realizar cualquier reparación estructural o del techo que sea necesaria, la cual resulte de la instalación, uso y desinstalación del anclaje.

5. ESPECIFICACIONES

Consulte la Tabla 1 en el Apéndice A para la designación del tipo de anclaje y el número de modelo, las dimensiones, descripción y material, capacidad y resistencia nominal, y una imagen del anclaje.

6. MANTENIMIENTO Y ALMACENAMIENTO

No hay mantenimiento periódico requerido para este equipo.

6.1 Almacenamiento: Cuando no está instalado, almacene en un área limpia y seca. Evite la luz directa del sol y la exposición a elementos ambientales. No coloque otros equipos u objetos sobre los anclajes. No almacene de una manera que permita que otros equipos doblen, agrieten, contaminen o dañen la unidad.

6.2 Retirar de servicio: Retire el anclaje de servicio si se ha sometido a fuerzas de detención de caída o no pasa la inspección.

7. INSPECCIÓN DE LOS ANCLAJES PARA ESTRUCTURAS CON MARCOS DE MADERA

Antes de cada uso, el usuario deberá inspeccionar el anclaje para detectar cualquier daño físico, desgaste, corrosión o piezas faltantes. Si el anclaje ha estado sometido a fuerzas de detención de caídas, debe ser retirado de servicio.

Inspeccionar para ver si tiene:

1. grietas o fracturas
2. soldaduras o anillos rotos
3. corrosión
4. placas o anillos doblados
5. acumulación de contaminantes

Si la inspección de rutina revela daños en el anclaje, discontinúe el uso y retírelo de servicio.

Para inspeccionar los anclajes permanentes, inspeccione las partes visibles de la instalación. Si las partes expuestas de los anclajes muestran corrosión o daños, retírelos.

Registre los resultados de la inspección en el Registro de inspección que se encuentra en el Apéndice A.

8. ETIQUETAS

Las etiquetas deben estar presentes y ser legibles.

FallTech #7410 RE-USABLE ROOF ANCHOR

800.719.4619
www.falltech.com

- Part # 7410 Reusable Roof Anchor
- Alloy steel construction
- Min break strength: 5000lbs
- Max capacity: 310lbs (one person + clothing, tools, etc.)
- Always follow instructions included with roof anchor at time of shipment.

- Meets OSHA 1926.502 ANSI Z359.1-2007
- Use only as part of a design compatible Personal Fall Arrest System (PFAS). Do not use for other purposes.
- For temporary use only.
- Year of Mfg: 2013
- FT40 05.13

- INSTALLATION:**
- 16d nails (for 20 side holes): Minimum of 10 nails driven into sheathing and truss and minimum of 10 nails driven into sheathing.
 - #14 x 3.5" wood screws (for 12 center holes): Screw into sheathing or into sheathing and truss.
 - Read instruction manual included with anchor for additional information on correct installation practices and anchor limitations.

Read, understand and follow all instructions prior to using this product. Make sure Roof Anchor is in serviceable condition. Immediately remove from service if damaged or subjected to fall arrest forces. Make only compatible connections. Do not alter, misuse or combine with incompatible components. Avoid contact with machinery, electrical hazards or sharp edges. Do not attempt to repair. If inspection reveals Roof Anchor to be damaged or if Roof Anchor has been subjected to fall arrest forces (or equivalent), immediately remove from service.

This anchorage connector is intended to be installed on a wood framed structure capable of supporting 5000lbs. Only one personal protective system may be installed per anchor. Free fall must not exceed 6 feet. Make certain adequate clear fall distance exists between working surface and next lower level. When installing, be aware of swing fall hazards. Be aware of corrosive and chemical hazards and their effects. Product not designed for permanent installation. Refer to instruction manual for proper method of connecting to this anchor, and connector compatibility. Refer to instruction manual for inspection requirements.

FT41 05.13

FallTech #7434 Permanent Roof Anchor

- 1/2"m Stainless Steel Construction
- Max Capacity = 31lbs (one person = clothing, tools, etc.)
- Fully Complies with OSHA 1926 and ANSI Z359 Regulations
- Includes a **WARNING 1** label on anchor label
- Read, understand and follow all manufacturer's instructions prior to use. Failure to do so may result in serious injury or death.
- Immediately remove from service and destroy if damaged or subjected to fall arrest forces.

Additional Warnings

- Use only compatible connectors, gate opening
- Do not use as part of a design-compatible Personal Fall Arrest or Restraint System. Do not use this product for any other purpose.
- Do not alter, misuse, modify or combine with incompatible components. Avoid contact with sharp edges. Contact manufacturer if in doubt about any of these conditions.
- Do not attempt to repair. If damaged immediately remove from service.
- DO NOT REMOVE LABEL

Purpose:

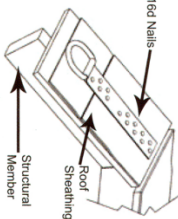
- This anchor is designed to be used as an anchorage connector for a personal fall arrest system or restraint system. Do not attach a horizontal lifeline system to this anchor. Max free fall distance is 6 feet. This roof anchor must be used in conjunction with an ANSI Z359.1 compliant Personal Fall Arrest System.

Limitations:

- This connector is intended to be installed on a wood framed structure capable of supporting 5000lbs.
- Only one personal protective system may be installed per roof anchor.
- The anchor must be attached to a maximum distance of 6 feet.
- Make certain adequate clearance exists between working surface and next lower level.
- Be aware of corrosive and chemical hazards and their effects.
- Do not use anchor after being properly trained.

Instructions

- Read all warnings, instructions and respect all equipment
- Align to roof peak with (10) 16d nails, #14 x 3.12" wood screws or 1/4" lag bolts driven through sheathing and into truss or structural member capable of supporting 5000 lbs.
- Attach labels to anchor and ensure that snaphook is secure when in use.
- Ensure that no debris or material interferes with the anchor of the lifeline and that it is not in contact with any sharp edges.
- Ensure the rope grab travels, locks and is attached in the correct position.
- 14-16d Nails
- Roof anchor should be installed at the roof peak, and at least 6 feet from any roof edge. If more than one anchor is needed, ONLY work on the side of the roof that anchor is installed. DO NOT work on opposite side without installing additional anchor(s).
- Do not install roof anchor on eaves, gable overhangs or lean board



FallTech #7431 Permanent Roof Anchor

- 1/2"m Stainless Steel Construction
- Min Break Strength = 5,000lbs
- Max Capacity = 31lbs (one person = clothing, tools, etc.)
- Fully Complies with all OSHA 1926 & ANSI Z359 Regulations
- Includes a **WARNING** label on anchor label
- Read, understand and follow all manufacturer's instructions prior to use. Failure to do so may result in serious injury or death.
- Immediately remove from service and destroy if damaged or subjected to fall arrest forces.

Additional Warnings

- Use only compatible connectors, gate opening
- Do not use as part of a design-compatible Personal Fall Arrest System. Do not use this product for any other purpose.
- Do not alter, misuse, modify or combine with incompatible components. Avoid contact with sharp edges. Contact manufacturer if in doubt about any of these conditions.
- Do not attempt to repair. If damaged immediately remove from service.

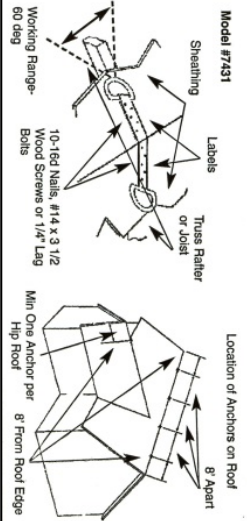
Inspect Before Use

- Always inspect before each use.
- Inspect for damage, including but not limited to: rust, dents, deformities or bending.
- Must be inspected by a competent person every 6 months from date of purchase.
- Store in a clean, dry location.
- If this anchor does not pass inspection, remove from service.
- Additional information, questions or instructions prior to use. Failure to do so may result in serious injury or death.
- Immediately remove from service and destroy if damaged or subjected to fall arrest forces.

FT47 ALX

Instructions

- Read all warnings, instructions and respect all equipment
- Align to roof peak with (10) 16d nails, #14 x 3.12" wood screws or 1/4" lag bolts driven through sheathing and into truss or structural member capable of supporting 5000 lbs.
- Attach labels to anchor and ensure that snaphook is secure when in use.
- Ensure that no debris or material interferes with the anchor of the lifeline and that it is not in contact with any sharp edges.
- Ensure the rope grab travels, locks and is attached in the correct position.
- 14-16d Nails, #14 x 3.12" Wood Screws or 1/4" Lag Bolts
- 60 deg
- Min One Anchor per 8' From Roof Edge



#7444 Single Use Roof Anchor

- Carbon steel construction
- Min break strength = 3600lbs
- Max capacity = 310lbs
- (one person + clothing, tools, etc)
- Fully complies with OSHA 1926 and ANSI Z359.1-2007 (WHEN USED AS PART OF A PFAS LIMITING ARREST FORCES TO 900LBS OR LESS)
- Use only as part of a design compatible Personal Fall Arrest or Travel Restraint System. Do not use for other purposes.

WARNING!

- Instructions are printed on anchor label.
- Read, understand and follow all instructions prior to use.
- Immediately remove from service and destroy if damaged or subject to fall arrest forces.
- Make only compatible connections
- Do not alter, misuse or combine with incompatible components. Avoid contact with machinery, electrical hazards or sharp edges.
- Do not attempt to repair. If damaged, remove from service.

LIMITATIONS

- This anchorage connector is intended to be installed on a wood framed structure capable of supporting 5000lbs.
- Only one personal protective system may be installed per anchor.
- Free fall must not exceed 6 feet.
- Make certain adequate clearance exists between working surface and next lower level.
- Be aware of corrosive and chemical hazards and their effects.
- Product not designed for permanent or reusable use
- Only use anchor after being properly trained.

APPENDIX A









Table 1: Specifications for Wood Frame Roof Anchors					
Designation Type and Part #	Dimensions	Description and Material	Minimum Material Tensile Strength	Maximum User Capacity	Anchor
<p>Type A: Temporary Reusable 7410 for wood frame structures with 20 pcs 16d nails</p>	<p><u>2 Anchor Plates:</u> 10" x 3" (255mm x 75mm) each plate</p> <p><u>D-Ring:</u> 2-1/4" (57mm)</p>	<p><u>Anchor Plate:</u> zinc plated alloy steel with nail holes and countersunk screw holes</p> <p><u>D-Ring:</u> zinc plated forged alloy steel</p>	<p>Anchor Plates and D-ring: Zinc Plated Alloy Steel</p> <p>5,000 lbs Min Tensile Strength</p>	<p>310 lbs to comply with ANSI Z359.1 and OSHA</p> <p>425 lbs to comply with OSHA only</p>	
<p>Type B: Permanent Use Dual D-rings 7431 7431F with nails</p>	<p><u>Anchor Plate:</u> 12" x 1-3/8" (280mm x 76mm)</p> <p><u>D-Rings:</u> 2-1/4" (57mm)</p>	<p><u>Anchor Plate:</u> stainless steel with nail holes</p> <p><u>D-Rings:</u> zinc plated forged alloy steel</p>	<p>Anchor Plate: Stainless Steel</p> <p>D-rings: Zinc Plated Alloy Steel</p> <p>5,000 lbs Min Tensile Strength</p>	<p>310 lbs to comply with ANSI Z359.1 and OSHA</p> <p>425 lbs to comply with OSHA only</p>	
<p>Type B: Permanent Use Single D-ring 7434</p>	<p><u>Anchor Plate:</u> 17" x 1-3/4" (43cm x 44mm)</p> <p><u>D-Ring:</u> 2" (51mm)</p>				
<p>Type C: Single Use Roof Peak Anchor 7444 with nails 744410 10/pack anchors with nails</p>	<p><u>Connecting Hole:</u> 3/4" (19mm)</p> <p><u>Nailing Surfaces:</u> 1-3/4" x 6" (44 mm x 152 mm)</p>	<p>Zinc Plated carbon steel with nail holes</p>	<p>Roof Anchor: 3,600 lbs Min Tensile Strength</p>	<p>310 lbs to comply with OSHA only</p>	

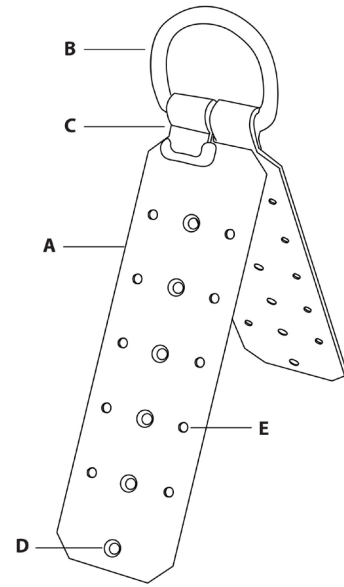
Tabla 1: Especificaciones para anclajes para techo con marco en madera					
Tipo de denominación y No. de pieza	Dimensiones	Descripción y Material	Resistencia mínima a la tensión y materiales	Capacidad de usuario máxima	Anclaje
<p>Tipo A: Reutilizable temporal 7410 para estructuras con marco de madera con 20 piezas 16d clavos</p>	<p><u>2 Placas de anclaje:</u> 10" x 3" (255 mm x 75 mm) cada placa</p> <p><u>Anillo en "D":</u> 2-1/4" (57 mm)</p>	<p><u>Placa de anclaje:</u> acero de aleación cincado con agujeros de clavos y agujeros de tornillos avellanados</p> <p><u>Anillo en "D":</u> Acero de aleación forjado cincado</p>	<p>Placas de anclaje y anillo en "D": Acero de aleación cincado</p> <p>5,000 libras (2.268 kg) mínimo de resistencia a la tensión</p>	<p>310 libras (140,6 kg) para cumplir con ANSI Z359.1 y OSHA</p> <p>425 libras (192,8 kg) para cumplir con OSHA solamente</p>	
<p>Tipo B: Uso permanente Anillos en "D" dobles 7431 7431F con clavos</p>	<p><u>Placa de anclaje:</u> 12" x 1-3/8" (280 mm x 76 mm)</p> <p><u>Anillos en "D":</u> 2-1/4" (57 mm)</p>	<p><u>Placa de anclaje:</u> acero inoxidable con agujeros de clavos</p> <p><u>Anillos en "D":</u> Acero de aleación forjado cincado</p>	<p>Placa de anclaje: Acero inoxidable</p> <p>Anillos en "D": Acero de aleación cincado</p> <p>5,000 libras (2.268 kg) mínimo de resistencia a la tensión</p>	<p>310 libras (140,6 kg) para cumplir con ANSI Z359.1 y OSHA</p> <p>425 libras (192,8 kg) para cumplir con OSHA solamente</p>	
<p>Tipo B: Uso permanente Un anillo en "D" 7434</p>	<p><u>Placa de anclaje:</u> 17" x 1-3/4" (43 cm x 44 mm)</p> <p><u>Anillo en "D":</u> 2" (51mm)</p>				
<p>Tipo C: Anclaje para parte superior de techo para un solo uso 7444 con clavos 744410 10/paquetes de anclajes con clavos</p>	<p><u>Agujero de conexión:</u> 3/4" (19mm)</p> <p><u>Claveteado Superficies:</u> 1-3/4" x 6" (44 mm x 152 mm)</p>	<p>Acero al carbono cincado con agujeros para clavos</p>	<p>Anclaje para techo: 3,600 libras (1.633 kg) mínimo de resistencia a la tensión</p>	<p>310 libras (140,6 kg) para cumplir con OSHA solamente</p>	

TSRANCA.1

Figure 1-A: Hinged Temporary Roof Anchor	
A	Anchoring Plates
B	Connecting D-Ring
C	Variable-pitch Hinge
D	Screw Holes
E	Nail Holes

Figura 1-A: Ancla temporal con bisagra para techo	
A	Placa de anclaje
B	Anillo D de conexión
C	Bisagra de inclinación variable
D	Agujeros para tornillos
E	Agujeros para clavos

TSRANC1.1

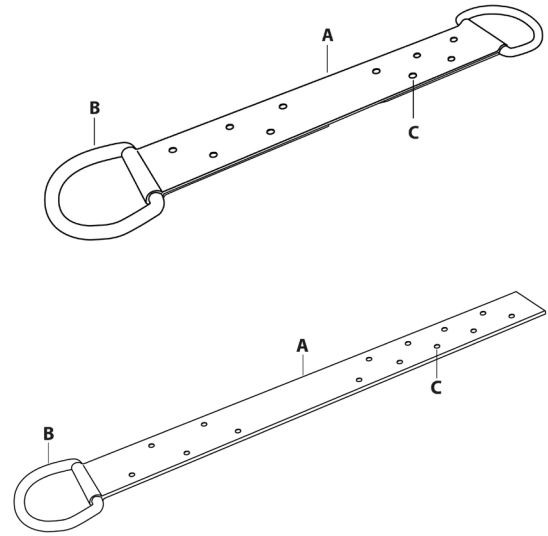


FSRANC1.1

Figure 1-B: Permanent Roof Anchor	
A	Stainless Steel Anchoring Plate
B	Connecting D-Rings
C	Nail Holes

Figura 1-B: Ancla permanente para techo	
A	Placa de anclaje de acero inoxidable
B	Anillos D de conexión
C	Agujeros para clavos

TSRANC2.1



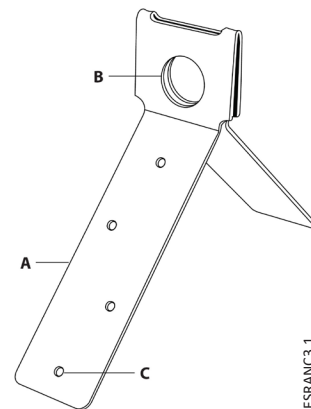
FSRANC2.1

FSRANC2.1

Figure 1-C: Single-Use Roof Peak Anchor	
A	Nailing Plates
B	Connecting Eye-hole
C	Nail Holes

Figura 1-C: Ancla de pico para techo de un solo uso	
A	Placas para clavar
B	Agujero de conexión
C	Agujeros para clavos

TSRANC3.1



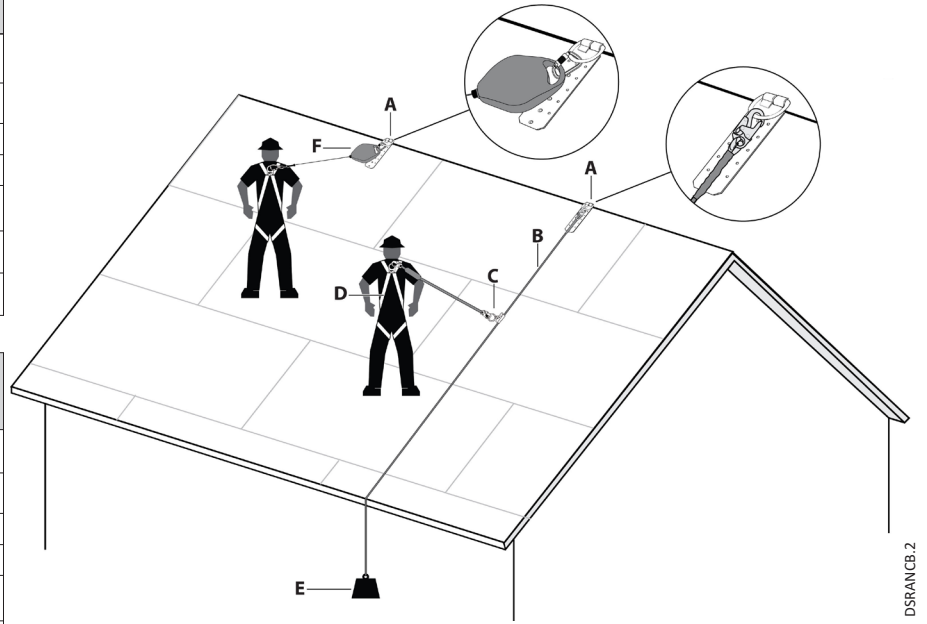
FSRANC3.1

Figure 2: Roof Anchors for Fall Arrest with VLL or SRD

A	Roof Anchor
B	Vertical Lifeline (VLL)
C	Rope Grab Shock Absorbing Lanyard (SAL)
D	Full Body Harness (FBH)
E	Minimum 5 lb. Counterweight
F	Self-Retracting Device (SRD)

Figura 2: Detención de caída con sistema de cuerda de salvamento vertical o SRD

A	Anclaje para techo
B	Cuerda de salvamento vertical (VLL)
C	Agarre de cuerda Cuerda de salvamento con amortiguación (SAL)
D	Arnés de cuerpo completo (FBH)
E	Contrapeso de 5 libras (2,3 kg)
F	Dispositivo auto-retráctil (SRD)



TSRANCB.2

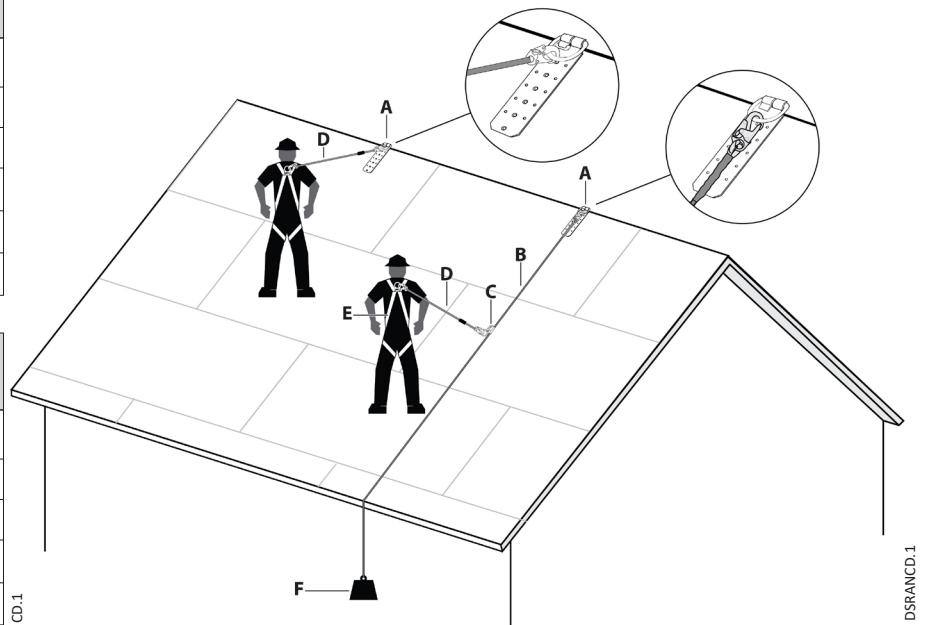
DSRANCB.2

Figure 3: Roof Anchors for Restraint Applications

A	Roof Anchor
B	Vertical Lifeline (VLL)
C	Rope Grab/Rope Arrestor
D	Restraint Lanyard
E	Full Body Harness (FBH)
F	Minimum 5 lb. Counterweight

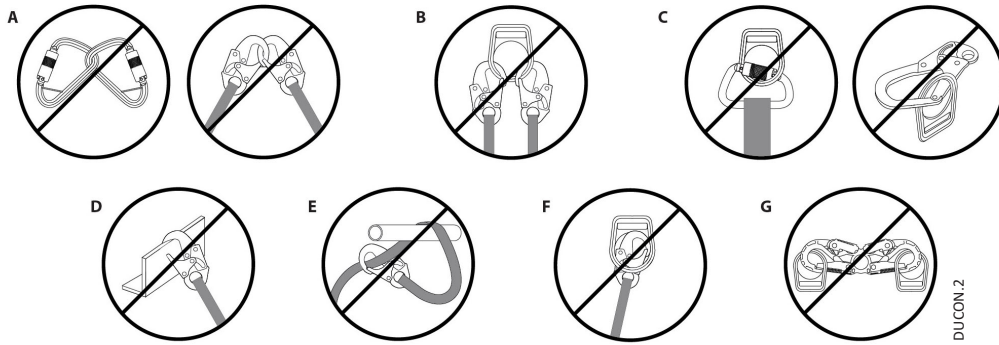
Figura 3: Anclajes de techo para aplicaciones de restricción

A	Anclaje de techo
B	Cuerda de salvamento vertical (VLL)
C	Cuerda de agarre/detención de cuerda
D	Cordón de restricción
E	Arnés de cuerpo completo (FBH)
F	Contrapeso mínimo de 5 libras



TSRANCD.1

DSRANCD.1



DUCON.2

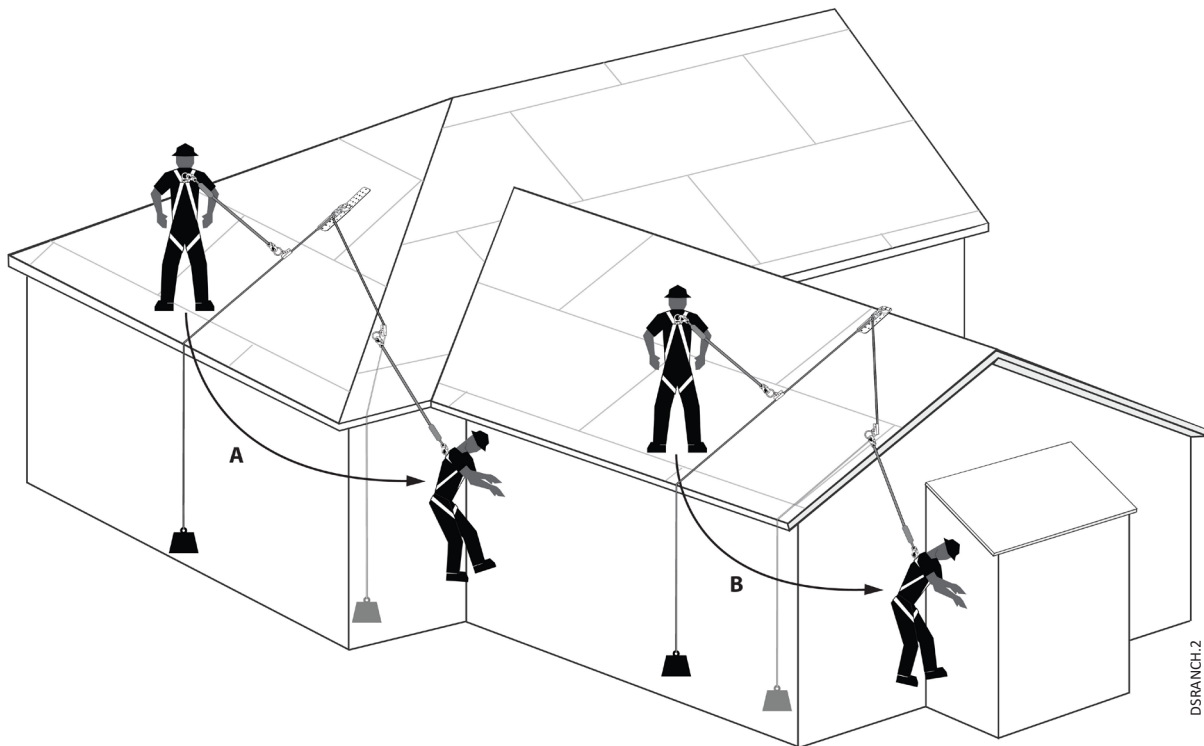
Figure 4: Incorrect Connections

A	Never connect two active components (snap hooks or carabiners) to each other.
B	Never connect two active components (snap hooks or carabiners) to a single D-ring at the same time.
C	Never connect in a way that would produce a condition of loading on the gate.
D	Never attach to a object in a manner whereby the gate (of the snap hook or carabiner) would be prevented from fully closing and locking. Always guard against false connections by visually inspecting for closure and lock.
E	Never attach explicitly to a constituent subcomponent (webbing, cable or rope) unless specifically provided for by the manufacturer's instructions for both subcomponents (snap hook or carabiner and webbing, cable or rope).
F	Never attach in a manner where an element of the connector (gate or release lever) may become caught on the anchor thereby producing additional risk of false engagement.
G	Never attach a spreader snap hook to two side/positioning D-rings in a manner whereby the D-rings will engage the gates; the gates on a spreader must always be facing away from the D-rings during work positioning.

Figura 3: Conexiones incorrectas

A	Nunca conecte dos componentes activos (ganchos de cierre instantáneo o mosquetones) entre sí.
B	Nunca conecte dos componentes activos (ganchos de cierre instantáneo o mosquetones) a un solo anillo en "D" al mismo tiempo.
C	Nunca se debe conectar de una manera que se produzca una condición de carga en la hebilla.
D	Nunca conecte a un objeto de tal manera que la hebilla (del gancho de cierre instantáneo o del mosquetón) se vea impedida de cerrarse y bloquearse por completo. Siempre protéjase de falsas conexiones mediante la inspección visual del cierre y bloqueo.
E	Nunca conecte explícitamente a un subcomponente constituyente (correa, cable o cuerda), a menos que se hayan proporcionado específicamente por las instrucciones del fabricante para los subcomponentes (gancho de cierre instantáneo o mosquetón y correa, cable o cuerda).
F	Nunca conecte de modo que un elemento del conector (hebilla o palanca de liberación) pueda quedar atrapada en el anclaje y por lo tanto producir un riesgo adicional de conexión falsa.
G	Nunca conecte un gancho de cierre instantáneo del esparcidor a dos anillos en "D" laterales/de posicionamiento en una forma que los anillos en "D" se acoplen a la hebillas; las hebillas en un esparcidor deben estar siempre orientadas hacia el lado opuesto de los anillos en "D" durante el posicionamiento del trabajo.

TUCON.2



DSRANCH.2

Figure 5: Typical Swing Fall Hazards from Roofs

A	From a Hip Roof into an adjoining wall
B	From a Gable Roof into a lower level obstruction

Figura 5: Riesgos típicos de caída con balanceo desde techos

A	Desde techo a cuatro aguas a una pared contigua
B	Desde techo a dos aguas a una obstrucción en un nivel inferior

TSRANCH.2

Figure 6: Suitable Load Direction on Roof Anchors

Figura 6: Dirección adecuada de carga en anclajes para techo

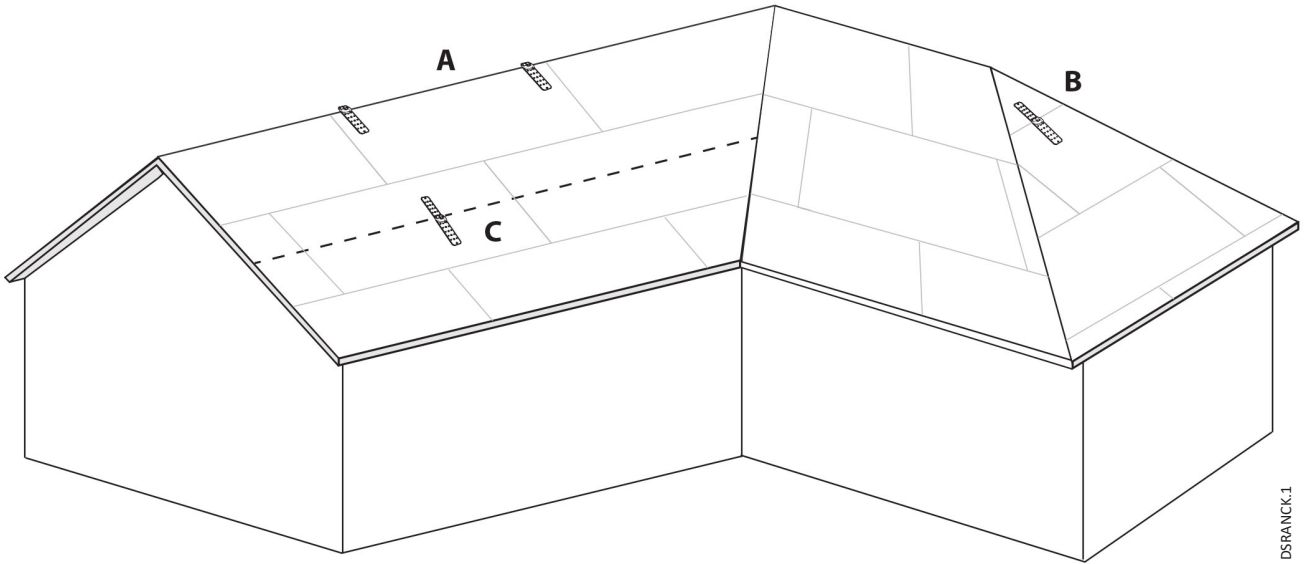
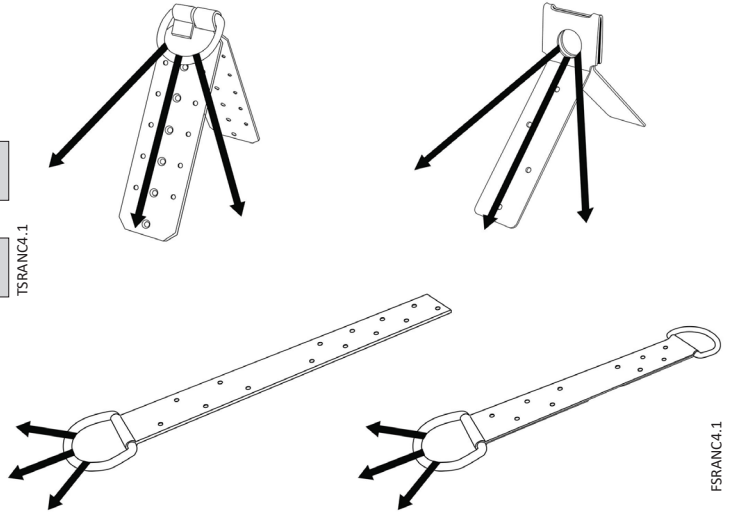
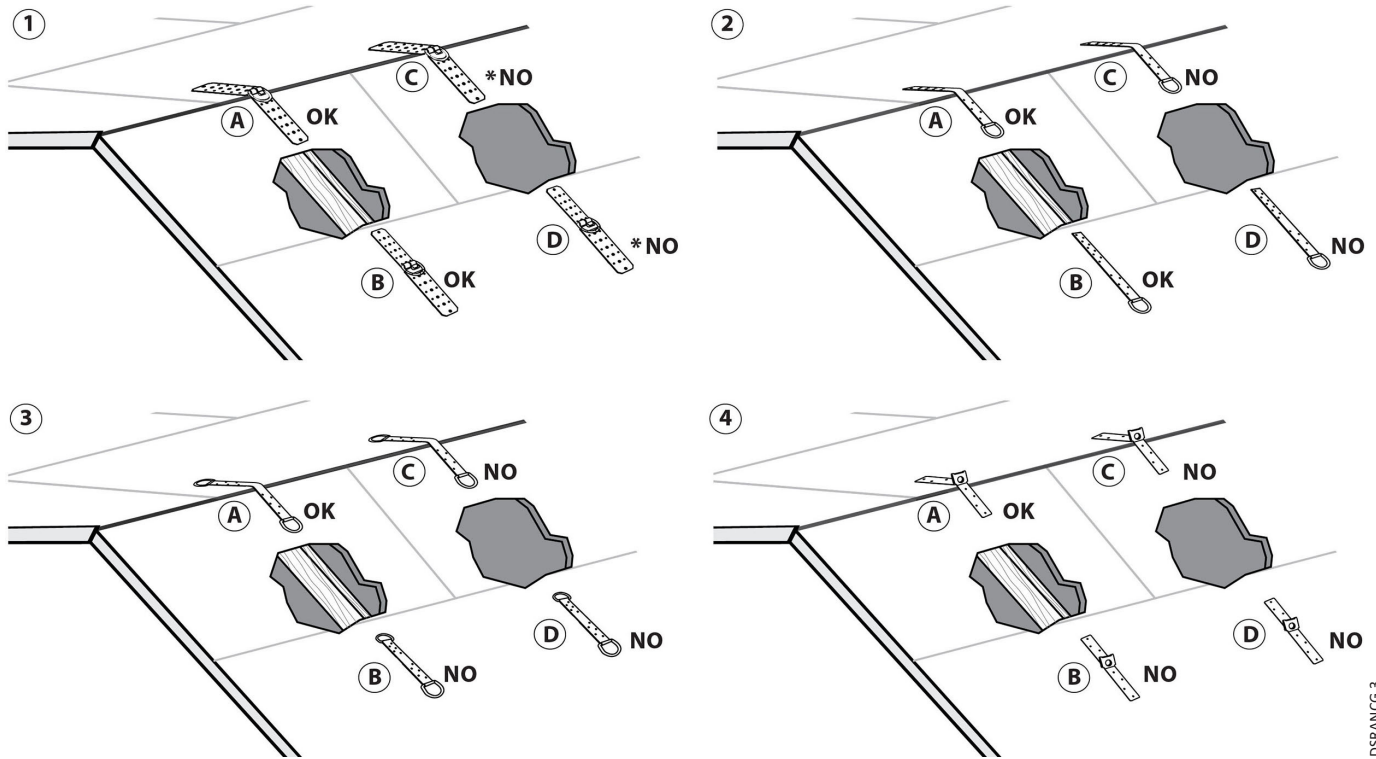


Figure 7: Typical Roof Site Plan for Roof Anchors

A	Roof Ridge	No more than 8' of spacing between roof anchors installed on Roof Ridges
B	Hip Face	At least one (1) roof anchor on each Hip Face
C	Roof Edge	No less than 6' from any exposed Roof Edge

Figura 7: Plano típico de techo para anclajes de techo

A	Cumbre de techo	No más de 8 pies (2,4 m) de espacio libre entre los anclajes de techo instalados en el caballete del techo
B	Cara de techo a 2 o más aguas	Al menos un (1) anclaje de techo sobre cada cara del techo a 2 o más aguas
C	Borde del techo	No menos de 6 pies (1,8 m) desde cualquier borde de techo expuesto



DSRANGC.3

Figure 8: Roof Anchor Installation Details					
Users must follow specific additional installation instructions defined in this manual for each roof anchor type below	Diagram Number ↓	Install through Sheathing into Truss		Install through Sheathing into Truss	
		Roof Location A. On Ridge	Roof Location B. On Field	Roof Location C. On Ridge	Roof Location D. On Field
Hinged Roof Anchor (Type A)	1	Ok	Ok	*No	*No
Single-D Roof Anchor (Type B)	2	Ok	Ok	No	No
Dual-D Roof Anchor (Type B)	3	Ok	No	No	No
Single-use Roof Peak Anchor (Type C)	4	Ok	No	No	No

*Exception: may be installed on sheathing without fastening into truss if using a minimum 3/4" CDX Plywood substrate and Screws in all 32 holes.

Figura 8: Detalles de la instalación del anclaje para techo					
Los usuarios deben seguir las instrucciones de instalación adicionales definidas en este manual para cada tipo de anclaje de techo que se describe a continuación	Número del diagrama ↓	Instale mediante el revestimiento al armazón		Instale solo al revestimiento	
		Ubicación del techo A. Sobre caballete	Ubicación del techo B. Sobre el terreno	Ubicación del techo C. Sobre caballete	Ubicación del techo D. Sobre el terreno
Anclaje de techo articulado (Tipo A)	1	Ok	Ok	*No	*No
Anclaje de techo de una sola D (Tipo B)	2	Ok	Ok	No	No
Anclaje de techo de dos D (Tipo B)	3	Ok	No	No	No
Anclaje abisagrado de un solo uso (Tipo C)	4	Ok	No	No	No

*Excepción: puede instalarse sobre el revestimiento sin ajustarlo en el armazón si se utiliza un mínimo de sustrato de madera laminada CDX de 3/4" (1,9 cm) y tornillos en los 32 agujeros.

TSRANGC.3

Figure 9: Preparing a Single-use Roof Peak Anchor	
A	Starting Position/Shape
B	Push Nail Plates downward toward each other
C	Join both halves of Eye-hole to form one hole

Adjust anchor to roof pitch while keeping eye-hole halves joined.
Caution: Do Not Re-Bend Anchor

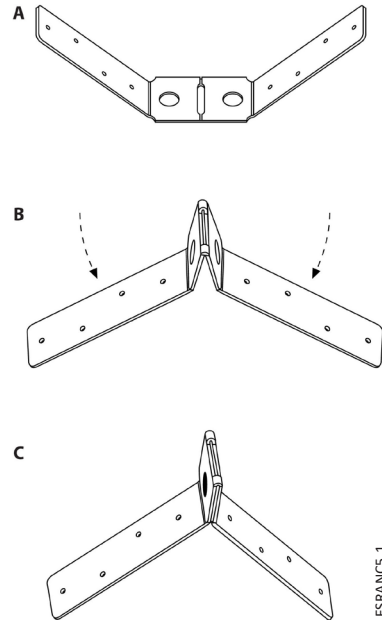


Figura 9: Preparar un anclaje de pico para techo de un solo uso	
A	Posición/forma de inicio
B	Empujar las placas de clavos hacia abajo entre sí
C	Unir ambas mitades del agujero para formar un solo agujero

Ajustar el anclaje a la inclinación del techo mientras se mantienen unidas las mitades del agujero.
Precaución: No plegar el anclaje

Acronyms for Fall Protection and Fall Arrest; ANSI Z359.0-2012			
ACTD	Activation Distance	HLL	Horizontal Lifeline
AD	Arrest Distance	MAF	Maximum Arrest Force
CSS	Connecting Subsystem	mm	Millimeter
DD	Deceleration Distance	PFAS	Personal Fall Arrest System
DDV	Deceleration Device	PPE	Personal Protective Equipment
FACSS	Fall Arrestor Connecting Subsystem	SRD	Self-retracting Device
FAS	Fall Arrest System	TFD	Total Fall Distance
FBH	Full Body Harness	VLL	Vertical Lifeline
FF	Free Fall	VLLSS	Vertical Lifeline Subsystem
FFD	Free Fall Distance	WPS	Work Positioning System
Other Acronyms for Fall Protection and Fall Arrest			
RGLS	Rope Grab Lanyard Set	ANSI	American National Standards Institute
SAL	Shock Absorbing Lanyard	OSHA	Occupational Safety and Health Administration
cm	Centimeters	ASTM	American Society for Testing and Materials
kN	kilo-Newton	lbs	pounds (weight)
RPA	Rebar Positioning Assembly	TPA	Tower Positioning Assembly

Siglas para la protección y detención de caídas; ANSI Z359.0-2012			
ACTD	Distancia de activación	HLL	Cuerda de salvamento horizontal
AD	Distancia de detención	MAF	Fuerza de detención máxima
CSS	Subsistema de conexión	mm	Milímetro
DD	Distancia de desaceleración	PFAS	Sistema personal de detención de caídas
DDV	Dispositivo de desaceleración	PPE	Personal Protective Equipment
FACSS	Subsistema de conexión de detenedor de caídas	SRD	Self-retracting Device
FAS	Sistema de detención de caídas	TFD	Total Fall Distance
FBH	Arnés de cuerpo completo	VLL	Vertical Lifeline
FF	Caída libre	VLLSS	Vertical Lifeline Subsystem
FFD	Distancia de caída libre	WPS	Work Positioning System
Otras siglas para la protección y detención de caídas			
RGLS	Equipo de agarre de cordón/cuerda	ANSI	Instituto Nacional de Normas de los Estados Unidos
SAL	Cuerda de salvamento con amortiguación	OSHA	Administración de Seguridad y Salud Ocupacional
cm	Centímetros	ASTM	Sociedad Americana de Pruebas y Materiales
kN	Kilo Newton	lbs	Libras (peso)
RPA	Ensamblaje de posicionamiento con refuerzo	TPA	Ensamblaje de posicionamiento con torre

INSPECTION RECORD PLANILLA de INSPECCIÓN					
Model # Modelo N° : _____		Serial # N° de serie : _____			
Date of Manufacture Fecha de fabricación : _____					
Inspection Date Fecha de inspección	Inspector Inspector	Comments Observaciones	Pass/Fail Pasó/No pasó	Corrective Action Needed Acción correctiva a realizar	Approved By Aprobado por