



Operating Instructions and Parts Manual SLT-330F Scissor Lift Table



For serial no. 17020001 and higher

JET

427 New Sanford Road
LaVergne, Tennessee 37086
Ph.: 800-274-6848
www.jettools.com

Part No. M-140771
Revision C 03/2017
Copyright © 2017 JET

Warranty and Service

JET® warrants every product it sells against manufacturers' defects. If one of our tools needs service or repair, please contact Technical Service by calling 1-800-274-6846, 8AM to 5PM CST, Monday through Friday.

Warranty Period

The general warranty lasts for the time period specified in the literature included with your product or on the official JET branded website.

- JET products carry a limited warranty which varies in duration based upon the product. (See chart below)
- Accessories carry a limited warranty of one year from the date of receipt.
- Consumable items are defined as expendable parts or accessories expected to become inoperable within a reasonable amount of use and are covered by a 90 day limited warranty against manufacturer's defects.

Who is Covered

This warranty covers only the initial purchaser of the product from the date of delivery.

What is Covered

This warranty covers any defects in workmanship or materials subject to the limitations stated below. This warranty does not cover failures due directly or indirectly to misuse, abuse, negligence or accidents, normal wear-and-tear, improper repair, alterations or lack of maintenance. JET woodworking machinery is designed to be used with Wood. Use of these machines in the processing of metal, plastics, or other materials may void the warranty. The exceptions are acrylics and other natural items that are made specifically for wood turning.

Warranty Limitations

Woodworking products with a Five Year Warranty that are used for commercial or industrial purposes default to a Two Year Warranty. Please contact Technical Service at 1-800-274-6846 for further clarification.

How to Get Technical Support

Please contact Technical Service by calling 1-800-274-6846. **Please note that you will be asked to provide proof of initial purchase when calling.** If a product requires further inspection, the Technical Service representative will explain and assist with any additional action needed. JET has Authorized Service Centers located throughout the United States. For the name of an Authorized Service Center in your area call 1-800-274-6846 or use the Service Center Locator on the JET website.

More Information

JET is constantly adding new products. For complete, up-to-date product information, check with your local distributor or visit the JET website.

How State Law Applies

This warranty gives you specific legal rights, subject to applicable state law.

Limitations on This Warranty

JET LIMITS ALL IMPLIED WARRANTIES TO THE PERIOD OF THE LIMITED WARRANTY FOR EACH PRODUCT. EXCEPT AS STATED HEREIN, ANY IMPLIED WARRANTIES OF MERCHANTABILITY AND FITNESS FOR A PARTICULAR PURPOSE ARE EXCLUDED. SOME STATES DO NOT ALLOW LIMITATIONS ON HOW LONG AN IMPLIED WARRANTY LASTS, SO THE ABOVE LIMITATION MAY NOT APPLY TO YOU.

JET SHALL IN NO EVENT BE LIABLE FOR DEATH, INJURIES TO PERSONS OR PROPERTY, OR FOR INCIDENTAL, CONTINGENT, SPECIAL, OR CONSEQUENTIAL DAMAGES ARISING FROM THE USE OF OUR PRODUCTS. SOME STATES DO NOT ALLOW THE EXCLUSION OR LIMITATION OF INCIDENTAL OR CONSEQUENTIAL DAMAGES, SO THE ABOVE LIMITATION OR EXCLUSION MAY NOT APPLY TO YOU.

JET sells through distributors only. The specifications listed in JET printed materials and on official JET website are given as general information and are not binding. JET reserves the right to effect at any time, without prior notice, those alterations to parts, fittings, and accessory equipment which they may deem necessary for any reason whatsoever. JET® branded products are not sold in Canada by JPW Industries, Inc.

Product Listing with Warranty Period

90 Days – Parts; Consumable items
1 Year – Motors; Machine Accessories
2 Year – Metalworking Machinery; Electric Hoists, Electric Hoist Accessories; Woodworking Machinery used for industrial or commercial purposes
5 Year – Woodworking Machinery
Limited Lifetime – JET Parallel clamps; VOLT Series Electric Hoists; Manual Hoists; Manual Hoist Accessories; Shop Tools; Warehouse & Dock products; Hand Tools; Air Tools

NOTE: JET is a division of JPW Industries, Inc. References in this document to JET also apply to JPW Industries, Inc., or any of its successors in interest to the JET brand.



IMPORTANT SAFETY INSTRUCTIONS

1. Read and understand the owner's manual before assembly and operation.
2. Do not load scissor lift beyond its rated capacity.
3. Do not allow people to sit or ride on scissor lift.
4. Always secure load in center of table before raising, lowering or moving scissor lift.
5. Do not transport loads in the raised position.
6. Use on smooth, level, finished floors only.
7. Pull release lever fully to allow load to descend in a controlled manner.
8. Keep hands and feet clear of table when lowering load.
9. Failure to comply with the above warnings may result in personal injury and/or property damage.

Specifications

Model Number.....	SLT-330F
Stock Number	140771
Capacity (lbs)	330
Table Size, L x W (in).....	27-1/2 x 17-3/4
Maximum Height (in)	28-3/4
Minimum Height (in)	8-5/8
Handle Height (in)	34-1/8
Strokes (without load) to Reach Maximum Height	16
Wheel Diameter (in.)	5
Overall Length (in).....	36
Net Weight (lbs)	88
Shipping Weight (lbs)	108

The above specifications were current at the time this manual was published, but because of our policy of continuous improvement, JET reserves the right to change specifications at any time and without prior notice, without incurring obligations.

Operation

Note: The scissor lift table comes pre-assembled and ready to use. However, during transit air may have seeped into the pump. To bleed air out of the hydraulic system, raise and lower the table several times to work any air bubbles out of the pump.

1. The table is raised by pumping the foot lever (B, Figure 1).
2. To lower the table, slowly pull the release lever fully. This allows the table to lower in a slow, controllable manner.
3. Before loading, always lock the caster brake by pressing the lock (A, Figure 1).

Folding Handle

1. Lower the table.
2. Push the rod (C, Figure 1) back.
3. Fold the handle flat across the table.

Maintenance

1. Lubricate each friction point monthly with #2 tube grease.
2. Check the movement and wear of wheels.
3. Check for oil leakage from the hydraulic cylinder. Add hydraulic oil as needed.
4. Always store with table in lowered position when not in use.

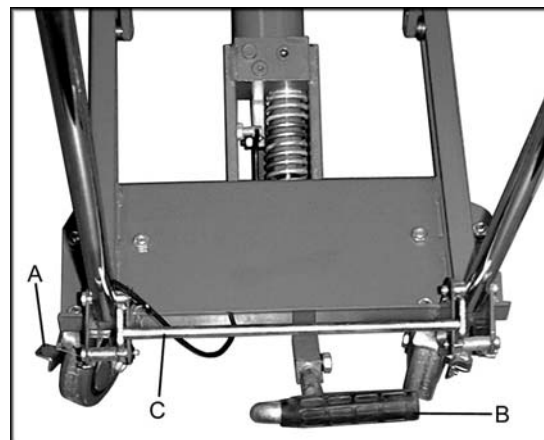


Figure 1

Troubleshooting SLT-330F Scissor Lift Table

Numbers in parentheses refer to index numbers in the parts breakdown.

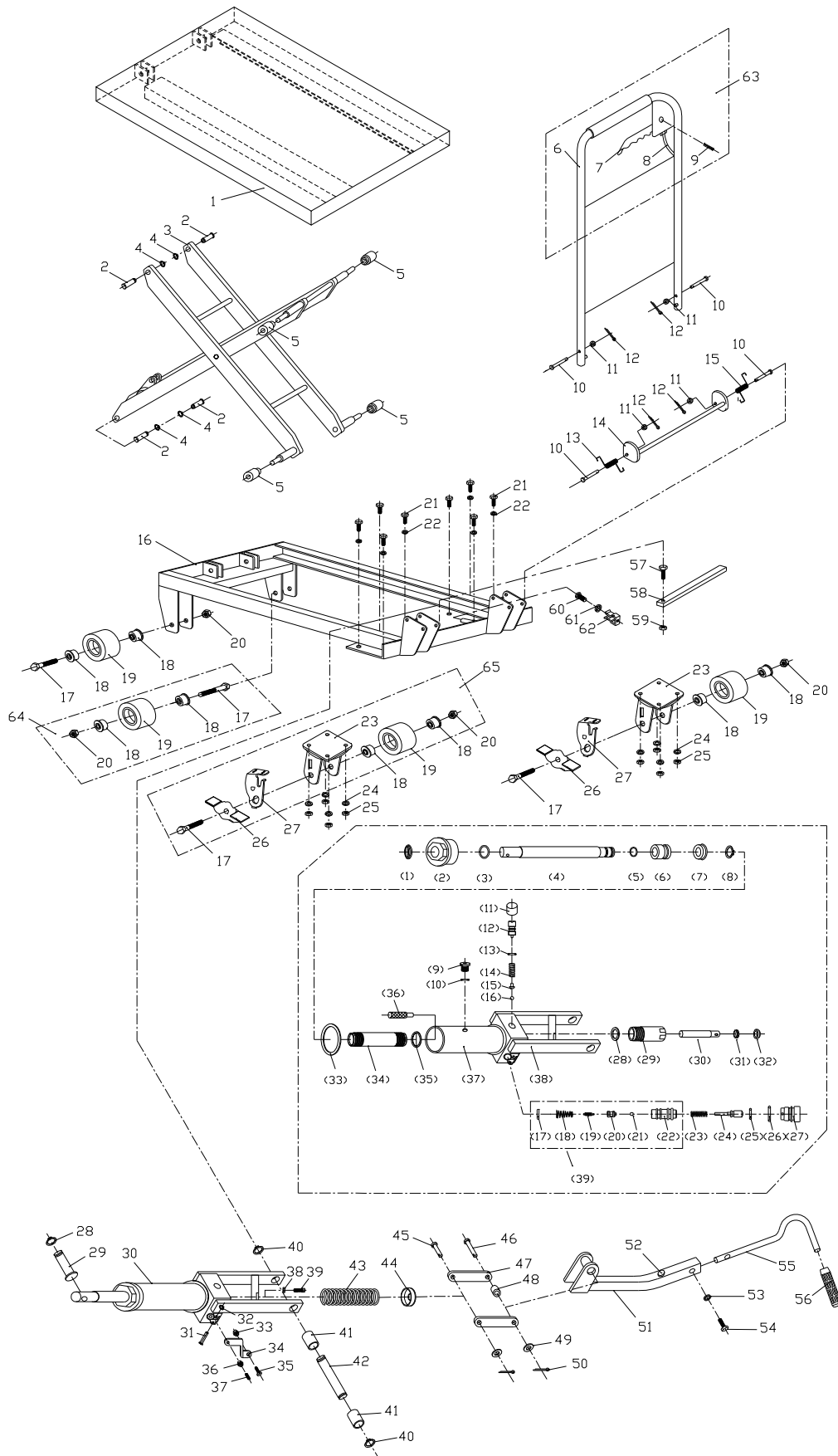
Trouble	Probable Cause	Remedy
Table will not rise.	No oil in pump reservoir.	Replenish pump reservoir.
	Lowering valve (22) or steel ball (21) is not seating.	Clean lowering valve (22) or steel ball (21) or replace.
	Steel ball (16) is not seating.	Clean or replace steel ball (16).
Table will not remain elevated.	Lowering valve (22) or steel ball (21) is not seating.	Clean or replace lowering valve (22) or steel ball (21).
	Oil seal (5) or U-packing (7) is worn out.	Replace oil seal (5) or U-packing (7).
Table will not lower.	U-packing (7) is worn out.	Replace U-packing (7).
	Lowering valve plug (22) is clogged.	Replace lowering valve plug (22).
Oil leaks from lowering valve.	O-ring (27) is worn out.	Replace O-ring (27).
Oil leaks from pump cylinder.	Oil seal (31) or U-packing (32) is worn out.	Replace oil seal (31) or U-packing (32).

Replacement Parts

Replacement parts are listed on the following pages. To order parts or reach our service department, call 1-800-274-6848 Monday through Friday, 8:00 a.m. to 5:00 p.m. CST. Having the Model Number and Serial Number of your machine available when you call will allow us to serve you quickly and accurately.

Non-proprietary parts, such as fasteners, can be found at local hardware stores, or may be ordered from JET. Some parts are shown for reference only, and may not be available individually.

Breakdown for SLT-330F Hydraulic Scissor Lift



Parts List for SLT-330F Hydraulic Scissor Lift

Index No.	Part No.	Description	Size	Qty
1	SLT330F-01G	Table		1
2	SLT330F-02	Link Shaft		4
3	SLT330F-04	Link Assembly		1
4	SLT330F-03	C-Ring	Ø 12 mm	4
5	SLT330F-05	Roller Guide		4
6	SLT330FH-06	Handle		1
7	SLT330FH-07	Release Lever		1
8	SLT330FH-08	Cable		1
9	SLT330FH-09	Spring Pin	Ø 6 x 22 mm	1
10	SLT330FH-10	Lock Pin		4
11	SLT660F-66	Washer	Ø 8 mm	4
12	SLT660FH-14	Split Pin	Ø 3 x 20 mm	4
13	SLT330FH-13	Spring A		1
14	SLT330FH-14	Foot Lever		1
15	SLT330FH-15	Spring B		1
16	SLT330FH-16G	Frame		1
17	SLT330FH-17	Hex Cap Screw	M12 x 65	1
18	SLT330FH-18	Nonstandard Bearing		8
19	SLT330FH-19	Wheel	4"	4
20	TS-2342121	Lock Nut	M12	4
21	TS-1490031	Hex Cap Screw	M8 x 20	8
22	TS-1550061	Washer	Ø 8 mm	6
23	SLT330FH-23	Swivel Wheel Holder		2
24	TS-1550061	Washer	Ø 8 mm	8
25	TS-1541031	Lock Nut	M8	8
26	SLT330FH-26	Brake Plate		2
27	SLT330FH-27	Stop Support		2
28	SLT330F-03	C-Ring	Ø 12 mm	1
29	SLT330F-24	Shaft		1
30	SLT330FH-30	Hydraulic Pump Assembly		1
[1]	SLT3300F-26-1	Oil Seal*	DHS25	1
[2]	SLT330F-26-2	Top Nut		1
[3]	SLT330F-26-3	O-Ring*	Ø 31 x 3.5 mm	1
[4]	SLT330F-26-4	Lift Piston		1
[5]	SLT330F-30-5	O-Ring*	Ø 14 x 2.4 mm	1
[6]	SLT330F-26-5	Piston Bushing		1
[7]	SLT330F-26-7	U-Packing*	D30	1
[8]	SLT330F-26-8	C-Ring	Ø 18 mm	1
[9]	SLT330F-26-9	Air Breather		1
[10]	SLT330F-26-10	O-Ring*	Ø 11x1.9 mm	1
[11]	SLT330F-26-11	Relief Plug Cover		1
[12]	SLT330F-26-13	Relief Adjusting Screw		1
[13]	SLT330F-26-10	O-Ring*	Ø 11 x 1.9 mm	1
[14]	SLT330F-26-14	Spring		1
[15]	SLT330F-26-15	Steel Ball Support		1
[16]	SB-5MM	Steel Ball	Ø 5 mm	1
[17]	SLT330FH-30-17	Valve Cap		1
[18]	SLT330FH-30-18	Spring		1
[19]	SLT330FH-30-19	Helix Valve		1
[20]	SL330FH-30-20	Cone Valve		1
[21]	SLT330FH-30-21	Steel Ball	Ø 6.35 mm	1
[22]	SLT330FH-30-22	Valve		1
[23]	SLT330FH-30-23	Spring		1
[24]	SLT330FH-30-24	Adjusting Shaft		1
[25]	SLT330F-26-23	O-Ring*	Ø 14 x 2.4 mm	1
[26]	SLT330FH-30-26	O-Ring	Ø 16 x 2.4 mm	1
[27]	SLT330FH-30-27	Bonnet		1
[28]	SLT330FH-30-28	Inner Washer		1

Index No.	Part No.	Description	Size	Qty
[29]	SLT330F-26-30	Pump Cylinder		1
[30]	SLT330F-26-34	Pump Piston		1
[31]	SLT330F-26-33	Oil Seal*	UHS18	1
[32]	SLT330F-26-32	U-Packing*	DHS18	1
[33]	SLT330F-30-33	Outer Washer*		2
[34]	SLT330FH-30-34	Inside Cylinder Tube		1
[35]	SLT330FH-30-35	Inside Washer*		1
[36]	SLT330FH-30-36	Filter		1
[37]	SLT330FH-30-37	Outer Cylinder Tube		1
[38]	SLT330FH-30-38	Pump Body		1
[39]	SLT330FH-30-39	Valve Assembly (Index # [17] thru [22])		1
31	SLT330FH-31	Pin		1
32	SLT330FH-32	C-Ring	Ø 8 mm	1
33	TS-2311081	Hex Nut	M8	1
34	SLT330FH-34	Platen		1
35	SLT330FH-21	Hex Cap Screw	M8 x 20	1
36	TS-2311081	Hex Nut	M8	1
37	SLT330FH-37	Socket Set Screw	M8 x 30	1
38	TS-2311081	Hex Nut	M8	1
39	SLT330FH-39	Hex Cap Screw	M8 x 30	1
40	SLC660F-38	C-Ring	Ø 20 mm	2
41	SLT330FH-41	Bushing		1
42	SLT330FH-42	Shaft		1
43	SLT330F-37	Spring		1
44	SLT330F-38	Spring Cover		1
45	SLT330FH-45	Pin		1
46	SLT330FH-46	Pin		1
47	SLT330F-39	Slide Plate		2
48	SLT330F-42	Bushing		1
49	SLT330FH-49	Washer	Ø 10 mm	2
50	SLT660FH-63	Split Pin	Ø 3 x 30 mm	2
51	SLT330F-44	Lever		1
52	SLT330FH-52	Rubber Bumper		1
53	TS-2361081	Spring Washer	Ø 8 mm	1
54	TS-1490051	Hex Cap Screw	M8 x 30	1
55	SLT330F-48	Foot Lever		1
56	SLT330F-49	Foot Lever Pad		1
57	SLT660FH-70	Hex Cap Screw	M10 x 30	1
58	SLT330FH-58	Safety Bar		1
59	SLT660FH-72	Hex Nut	M10	1
60	SLT660FH-73	Hex Cap Screw	M6 x 10	1
61	SLT660FH-74	Spring Washer	Ø 6 mm	1
62	SLT660FH-75	Spring Clip		1
63	SLT330FH-63	Handle Assembly (index # 6 thru 9)		1
64	SLT330FH-64	Front Wheel Assembly (index # 17 thru 20)		1
65	SLT330FH-65	Swivel Wheel Assembly (index # 17-20,23,26-27)		1
	SLT330FH-RK	Repair Kit		1

Index Numbers in brackets are part of the Hydraulic Pump Assembly, SLT330FH-30.

Parts included in the repair kit are indicated by an asterisk *.



427 New Sanford Road
LaVergne, Tennessee 37086
Phone: 800-274-6848
www.jettools.com