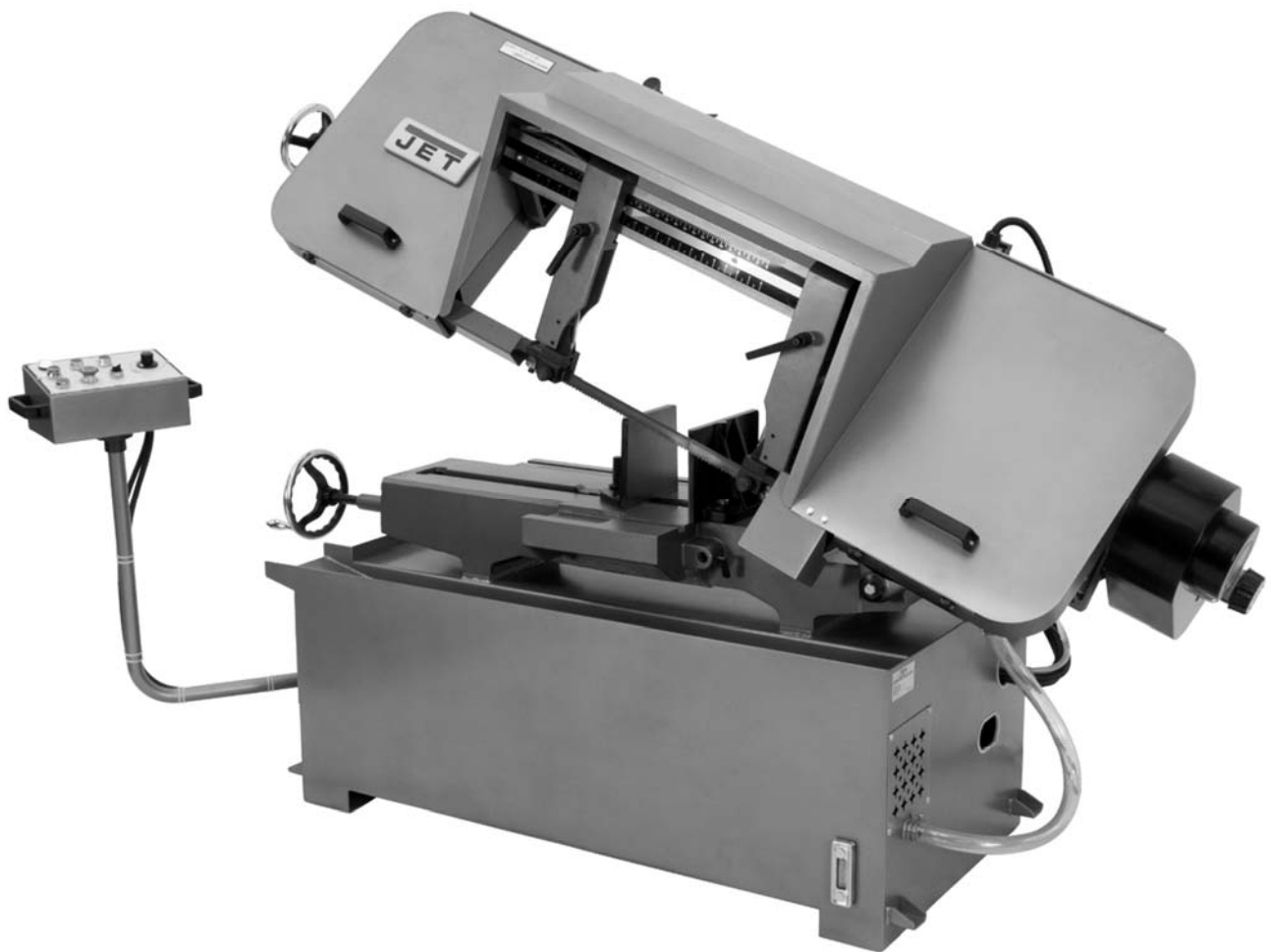




# Operating Instructions and Parts Manual

## 12 x 20-inch Semi-Automatic Band Saw

Model J-7060



**JET**  
427 New Sanford Road  
LaVergne, Tennessee 37086  
Ph.: 800-274-6848  
[www.jettools.com](http://www.jettools.com)

**Part No. M-414476**  
Revision D 10/2018  
Copyright © 2014 JET



# 1.0 IMPORTANT SAFETY INSTRUCTIONS

- **Misuse of this machine can cause serious injury.**
- **For safety, machine must be set up, used and serviced properly.**
- **Read, understand and follow instructions in the Operating Instructions and Parts Manual which was shipped with your machine.**

## 1.1 General Safety Warnings

1. Always wear protective eye wear when operating machinery. Eye wear shall be impact resistant, protective safety glasses with side shields which comply with ANSI Z87.1 specifications. Use of eye wear which does not comply with ANSI Z87.1 specifications could result in severe injury from breakage of eye protection.
2. Wear proper apparel. No loose clothing or jewelry which can get caught in moving parts. Rubber soled footwear is recommended for best footing.
3. Do not overreach. Failure to maintain proper working position can cause you to fall into the machine or cause your clothing to get caught pulling you into the machine.
4. Keep guards in place and in proper working order. Do not operate the machine with guards removed.
5. Avoid dangerous working environments. Do not use stationary machine tools in wet or damp locations. Keep work areas clean and well lit.
6. Avoid accidental starts by being sure the start switch is OFF before plugging in the machine.
7. Never leave the machine running while unattended. Machine shall be shut off whenever it is not in operation.
8. Disconnect electrical power before servicing. Whenever changing accessories or general maintenance is done on the machine, electrical power to the machine must be disconnected before work is done.
9. Maintain all machine tools with care. Follow all maintenance instructions for lubricating and the changing of accessories. No attempt shall be made to modify or have makeshift repairs done to the machine. This not only voids the warranty but also renders the machine unsafe.
10. Machinery must be anchored to the floor.
11. Secure work. Use clamps or a vise to hold work, when practical. It is safer than using your hands and it frees both hands to operate the machine.
12. Never brush away chips while the machine is in operation.
13. Keep work area clean. Cluttered areas invite accidents.
14. Remove adjusting keys and wrenches before turning machine on.
15. Use the right tool. Don't force a tool or attachment to do a job for which it was not designed.
16. Use only recommended accessories and follow manufacturer's instructions pertaining to them.
17. Keep hands in sight and clear of all moving parts and cutting surfaces.
18. All visitors should be kept at a safe distance from the work area. Make the workshop completely safe by using padlocks, master switches, or by removing starter keys.
19. Know the tool you are using — its application, limitations, and potential hazards
20. Never modify the machine without consulting JET.

## 1.2 General Electrical Cautions

This saw must be grounded in accordance with the National Electrical Code and local codes and ordinances. This work should be done by a qualified electrician. The saw must be grounded to protect the user from electrical shock.

**CAUTION:** For circuits which are far away from the electrical service box, the wire size must be increased in order to deliver ample voltage to the motor. To minimize power losses and to prevent motor overheating and burnout, the use of wire sizes for branch circuits or electrical extension cords according to the following table is recommended.

		Volts		Total length of cord			
		120 V	240 V	25 ft.	50 ft.	100 ft.	150 ft.
Ampere Rating		240 V		50 ft.	100 ft.	200 ft.	300 ft.
More than	Not more than	AWG minimum gage					
0	6			18	16	16	14
6	10			18	16	14	12
10	12			16	16	14	12
12	16			14	12	Not recommended	

Only the applicable parts of the Table need to be included. For instance, a 120-volt product need not include the 240-volt heading.

### 1.3 Safety Instructions for Sawing Systems

1. Always wear leather gloves when handling saw blade. The operator shall not wear gloves when operating the machine.
2. All doors shall be closed, all panels replaced, and other safety guards in place prior to the machine being started or operated.
3. Be sure that the blade is not in contact with the workpiece when the motor is started. The motor shall be started and the saw allowed to reach full speed before bringing the saw blade into contact with the workpiece.
4. Keep hands away from the blade area. **See Figure A.**
5. Remove any cut off piece carefully while keeping your hands free of the blade area.
6. Saw must be stopped and electrical supply must be cut off before any blade replacement or adjustment of blade support mechanism is done, or before any attempt is made to change the drive belts or before any periodic service or maintenance is performed on the saw.
7. Remove loose items and unnecessary workpieces from area before starting machine.
8. Bring adjustable saw guides and guards as close as possible to the workpiece.
9. Always wear protective eye wear when operating, servicing, or adjusting machinery. Eyewear shall be impact resistant, protective safety glasses with side shields complying with ANSI Z87.1 specifications. Use of eye wear which does not comply with ANSI Z87.1 specifications could result in severe injury from breakage of eye protection. **See Figure B.**
10. Nonslip footwear and safety shoes are recommended. **See Figure C.**

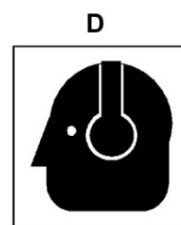
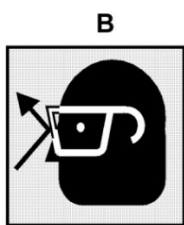
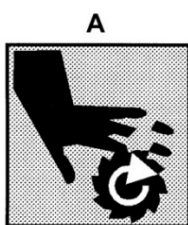
11. Wear ear protectors (plugs or muffs) during extended periods of operation. **See Figure D.**
12. The workpiece, or part being sawn, must be securely clamped before the saw blade enters the workpiece.
13. Remove cut off pieces carefully, keeping hands away from saw blade.
14. Saw must be stopped and electrical supply cutoff or machine unplugged before reaching into cutting area.
15. Avoid contact with coolant, especially guarding your eyes.

**⚠ WARNING:** This product can expose you to chemicals including cadmium and DEHP which are known to the State of California to cause cancer and birth defects or other reproductive harm. For more information go to <http://www.p65warnings.ca.gov>.

**⚠ WARNING:** Some dust, fumes and gases created by power sanding, sawing, grinding, drilling, welding and other construction activities contain chemicals known to the State of California to cause cancer and birth defects or other reproductive harm. Some examples of these chemicals are:

- lead from lead based paint
- crystalline silica from bricks, cement and other masonry products
- arsenic and chromium from chemically treated lumber

Your risk of exposure varies, depending on how often you do this type of work. To reduce your exposure to these chemicals, work in a well-ventilated area and work with approved safety equipment, such as dust masks that are specifically designed to filter out microscopic particles. For more information go to <http://www.p65warnings.ca.gov/> and <http://www.p65warnings.ca.gov/wood>.



## 2.0 Table of contents

Section	Page
1.0 IMPORTANT SAFETY INSTRUCTIONS .....	2
1.1 General Safety Warnings .....	2
1.2 General Electrical Cautions.....	2
1.3 Safety Instructions for Sawing Systems .....	3
2.0 Table of contents.....	4
3.0 About this machine and manual.....	5
4.0 Specifications .....	5
5.0 Saw features .....	5
6.0 Installation/assembly.....	6
7.0 Electrical connections .....	6
8.0 Work setup .....	6
8.1 Securing workpiece for square cuts .....	6
8.2 Adjusting vise for angle cuts.....	6
8.3 Workstop .....	7
9.0 Adjustments .....	7
9.1 Blade tracking adjustment .....	7
9.2 Blade guide bearing adjustment.....	8
9.3 Verifying adjustment accuracy .....	8
9.4 Limit switch adjustment .....	9
10.0 Operations.....	9
10.1 Starting the Saw .....	9
10.2 Coolant flow.....	10
10.3 Coolant mixture and quantity.....	10
10.4 Controls .....	10
10.5 Other controls.....	10
10.6 Setting blade speed.....	11
10.7 Raising/lowering saw head.....	11
10.8 Controlling the cut: Hydraulic feed control.....	11
10.9 Evaluating cutting efficiency .....	11
10.10 Blade selection .....	12
10.11 Blade break-in procedures .....	12
11.0 User-maintenance.....	12
11.1 Cleaning .....	12
11.2 Lubrication.....	12
11.3 Servicing hydraulic oil.....	13
11.4 Changing blades .....	13
11.5 Changing drive belt .....	13
11.6 Replacing drive motor .....	14
11.7 Replacing drive wheel .....	14
11.8 Replacing idler wheel or idler bearing .....	14
11.9 Adjusting blade guides .....	14
11.10 Replacing carbide blade guides .....	14
11.11 Replacing guide bearings.....	15
11.12 Replacing blade edge bearings.....	15
11.13 Replacing wire brush.....	15
11.14 Replacing Coolant Pump.....	15
12.0 Troubleshooting J-7060 Band Saw .....	16
13.0 Replacement Parts.....	17
13.1.1 J-7060 Base Assembly – Exploded View.....	18
13.1.2 J-7060 Base Assembly – Parts List.....	19
13.2.1 J-7060 Saw Head Assembly – Exploded View .....	22
13.2.2 J-7060 Saw Head Assembly – Parts List .....	23
14.0 Electrical Connections – J-7060 Band Saw .....	26
15.0 Warranty and service .....	27

### 3.0 About this machine and manual

The JET J-7060 Semi-Automatic Horizontal Cut-Off Band Saw incorporates a number of exclusive design features and innovations to make this saw a powerful and productive addition to machine shops, maintenance shops, tool rooms, and fabrication and welding shops. The exclusive swivel control panel allows the operator access to all machine controls from any side of the machine. The exclusive 6-point contact blade guide assemblies give the machine greater accuracy and longer blade life. The rapid acting, patented, 3-jaw vise provides simple, fast, and accurate set-ups for both straight and miter cuts. In addition, the semiautomatic cycle enables the operator to initiate, with the push of a button, the following steps: blade start, saw head down, blade stop, and saw head up. This completely versatile band saw is a proven time saver, offering optimum sawing performance.

This manual is provided by JET covering the safe operation and maintenance procedures for the J-7060 Horizontal Band Saw. This manual contains instructions on installation, safety precautions, general operating procedures, maintenance instructions and parts breakdown. Your machine has been designed and constructed to provide consistent, long-term operation if used in accordance with the instructions set forth in this document.

If there are questions or comments, please contact your local supplier or JET. JET can also be reached at our web site: [www.jettools.com](http://www.jettools.com).

Retain this manual for future reference. If the machine transfers ownership, the manual should accompany it.

Register your product using the mail-in card provided, or register online: <http://www.jettools.com/us/en/service-and-support/product-registration/>

### 4.0 Specifications

Model number		<b>J-7060</b>		<b>J-7060-4</b>	
Stock number		414476		414476-4	
Cutting capacities	Round	90 degrees	12 in. (304.8 mm)		
		45 degrees	12 in. (304.8 mm)		
	Rectangle	90 degrees	12 x 20 in. (304.8 x 508 mm)		
		45 degrees	12 x 12 in. (304.8 x 304.8 mm)		
Blade size		1 x 0.035 x 156 in.			
Blade provided		4/6 TPI			
Blade wheels		Dia. 17 in. (431.8 mm), cast iron			
Blade speeds		82 to 262 SFPM, variable speed			
Motor		3HP, 3PH, <b>230V</b> , 60Hz		3HP, 3PH, <b>460V</b> , 60Hz	
Dimensions		87 x 31.5 x 53 in. (2210 x 800 x 1346 mm)			
Net weight		1210 lb. (549 kg)			
Shipping weight		1342 lb. (609 kg)			

The specifications in this manual were current at time of publication, but because of our policy of continuous improvement, JET reserves the right to change specifications at any time and without prior notice, without incurring obligations.

### 5.0 Saw features

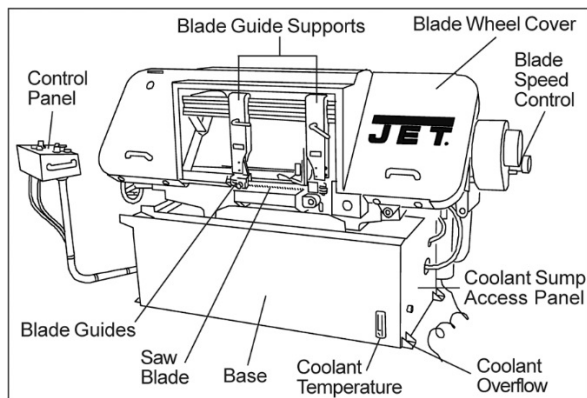


Figure 1: Saw features: front view

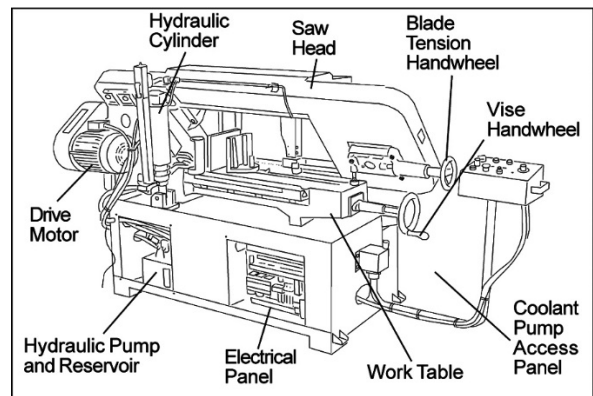


Figure 2: Saw features: rear view

**⚠WARNING** Read entire instruction manual before attempting setup or operation. Failure to comply may cause serious injury.

## 6.0 Installation/assembly

1. Finish uncrating saw and inspect for shipping damage. Should any have occurred, contact your local distributor.
2. Remove all bolts attaching machine to pallet.
3. Leave packing material between vise clamps and saw head, and around control arm, intact until band saw has been lifted to its final position.

For best performance, the band saw should be located on a solid and level foundation. Allow room for servicing and for moving large stock around the band saw when deciding a location for the machine.

4. Use a forklift or hoist, with lifting straps that are isolated from the band saw's finished surfaces, to lift saw and place in desired location.
5. Install four leveling bolts with nuts through the holes at both sides of the base, as shown in the parts breakdown, *sect. 13.1.1*, items 95 and 96.
6. Place a level on the table surface and check side-to-side and front-to-back. Adjust leveling screws until machine is level in both directions, then tighten nuts to secure setting.
7. Cut any straps holding the saw control arm to the base. (Do **not** cut the cord holders securing the electrical cable to the control arm.) Mount the control box arm to the side of the band saw, using the provided fasteners.
8. Clean all rust protected surfaces with kerosene or diesel oil to remove protective coating. Do not use gasoline, paint thinner or mineral spirits, as these may damage painted surfaces.
9. Lubricate all slideways with SAE 10W oil.

## 7.0 Electrical connections

**⚠WARNING** JET recommends that any wiring involving hard wiring of the saw to a branch, or any change of voltage supplied to the motor be performed by a licensed electrician. Use appropriate Lock Out/Tag Out procedures.

Observe the following when connecting to the power source (wiring diagrams shown in section 14.0).

1. Use proper Lock Out/Tag Out procedures. Make sure saw is disconnected from power source, or that the fuses have been removed or breakers tripped in the circuit to which the saw will be connected. Place a warning placard on the fuse or circuit breaker to prevent accidental electrical shock.

2. If you are installing the motor power cord into a receptacle, make sure to use the appropriate plug.
3. If you are using hard-wired connections to a junction box, connect the wires in the box, and close the box.
4. Install the fuses or reset the breaker.
5. The saw is now ready for service.

## 8.0 Work setup

### 8.1 Securing workpiece for square cuts

1. Raise saw head (Figure 5). (*Sect. 10.4* explains operating controls).
2. Slide left vise jaw far enough to the left to allow workpiece to be placed in vise.
3. Position workpiece on work table. If workpiece is long, provide support at the other end. It may also be necessary to provide additional downward clamping to hold workpiece securely on work table.
4. Turn clamping handwheel clockwise to clamp workpiece in position against fixed (right) vise jaw.
5. After completing cut, turn clamping handwheel counterclockwise and slide left jaw away from workpiece.

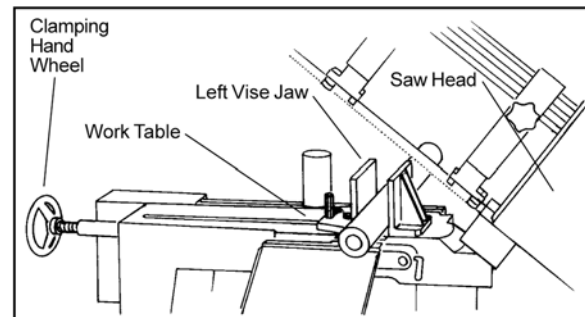


Figure 5: Securing workpiece

### 8.2 Adjusting vise for angle cuts

1. Loosen angle locking screw and pivot screw on left vise jaw. See Figure 6.
2. Turn locking handle on the round, angle-setting block counterclockwise to unlock the block. Slide the block until pointer on the block is aligned with desired angle. Tighten locking handle to secure the angle.
3. Set workpiece in vise. Place front end of workpiece against corner of right vise jaw. Place rear end of workpiece against angle-setting block.

- Turn clamping handwheel clockwise until left vise jaw is parallel with workpiece. Tighten pivot screw and angle locking screw on left vise jaw. Clamp workpiece in position.
- After completing the cut, turn the clamping hand wheel counterclockwise and slide the left jaw away from the workpiece.

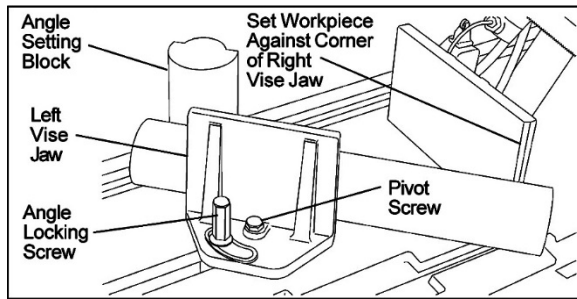


Figure 6: Adjusting vise

### 8.3 Workstop

The workstop is used to set up the saw for making multiple cuts of the same length (see Figure 7). Install and adjust the work stop as follows:

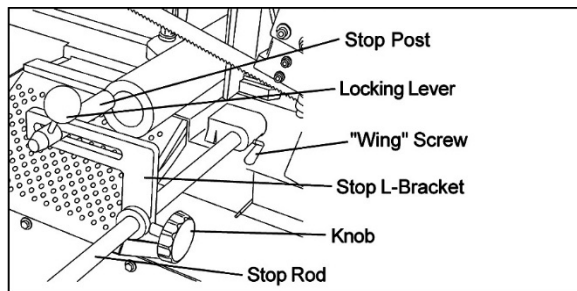


Figure 7: Work stop

- Insert stop rod into hole on front of work table.
- Tighten wing screw to secure rod in place.
- Install stop post in the channel on the back of the stop L-bracket. Install locking lever in threaded hole in stop post. Snug-up the locking lever.
- Install locking knob in side hole of L-bracket.
- Slide assembled L-bracket onto stop rod. Position stop post against workpiece and tighten knob in the L-bracket. The stop post can be moved left or right as required to place it against work piece.

## 9.0 Adjustments

The efficient operation of the cut-off saw is dependent upon the condition of the saw blade. If saw performance begins to deteriorate, the first item that you should check is the blade.

If a new blade does not restore the machine's cutting accuracy and quality, refer to the Troubleshooting section (or the blade manufacturer's guide) for conditions to consider and adjustments that can

be made to increase blade life. To change the blade, refer to *sect. 11.4*. To adjust blade tracking, refer to the following procedures.

### 9.1 Blade tracking adjustment

Blade tracking has been tested by the manufacturer. Adjustment is rarely required when the blade is used properly or if the blade is correctly welded. See Figure 8 for location of blade tracking adjustment screws.

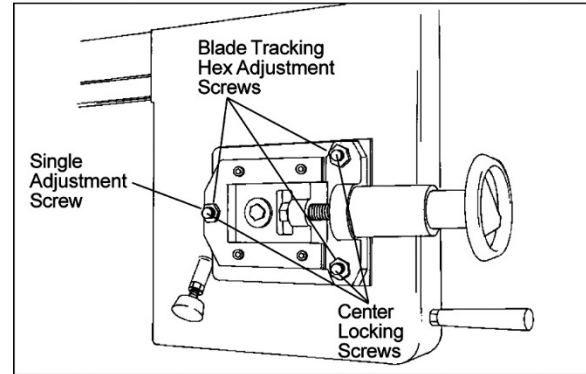


Figure 8

#### 9.1.1 Factory or field procedure

- Raise saw head enough to allow saw motor to operate.
- Loosen four knobs securing blade cover. Lift cover and swing it backward.
- Remove blade guard mounted on left blade guide support.
- Remove both blade guide bearing brackets.

**NOTE:** Maintain proper tension at all times using blade tensioning mechanism.

- Loosen the center locking screws in all three hex adjustment screws on blade tensioning mechanism (see Figure 10).

**CAUTION** While performing the following, keep the blade from rubbing excessively on wheel shoulder. Excessive rubbing will damage wheel and/or blade.

- Start the saw. Slowly turn the single hex adjustment screw at rear of tracking mechanism to tilt the idler wheel. Do not turn either of the other two adjustment screws. Turn adjustment screw until blade is touching shoulder of idler wheel.

**NOTE:** Turning the screw inward causes blade to move toward wheel shoulder. Turning the screw outward causes blade to move away from shoulder.

7. Turn the single hex adjustment screw so that blade starts to move away from shoulder of wheel; then immediately turn the single hex adjustment screw in the other direction so the blade stops, then moves slowly toward the shoulder.
8. Hold the hex adjustment screws with a wrench and tighten the center locking screws. Make sure the hex adjustment screws do not move while tightening the center screws.
9. Install the two blade guide bearing brackets. Position the guides so the bearings just touch the blade.
10. Install left blade guard.
11. Close saw head cover, and secure with the four knobs.

## 9.2 Blade guide bearing adjustment

Proper adjustment of blade guide bearings is critical to efficient operation of the saw. The blade guide bearings have been adjusted by the manufacturer and should rarely require adjustment except after a blade change. Failure to maintain proper blade adjustment may cause serious blade damage or inaccurate cuts.

It is always better to try a new blade when cutting performance is poor. If performance remains poor after changing the blade, make the necessary adjustments.

If a new blade does not correct the problem, check the blade guides for proper spacing. For most efficient operation and maximum accuracy, provide only very slight clearance between blade and guide bearings. The bearings will still turn freely with this clearance. If the clearance is incorrect, the blade may track off the drive wheel.

**CAUTION** Check blade to make sure welded section is same thickness as rest of blade. If blade is thicker at weld, the guide bearings may become damaged.

If required, adjust guide bearings as follows:

1. Disconnect machine from power source.
2. Each guide set consists of 2 blade guides. The inner blade guide is fixed; the outer blade guide is adjustable. The outer blade guide is adjusted using a knurled knob on operator side of blade guide assembly.
3. A guide bearing is provided on the innermost side of saw blade. The guide bearing is mounted on an eccentric bushing.
4. Hold the bushing with a 3/4-inch wrench and loosen the center locking screw with an Allen wrench (see Figure 9).

5. Position the bearing by turning the bushing. Set the bearing in contact with blade then back it off very slightly so that it will still turn by hand.

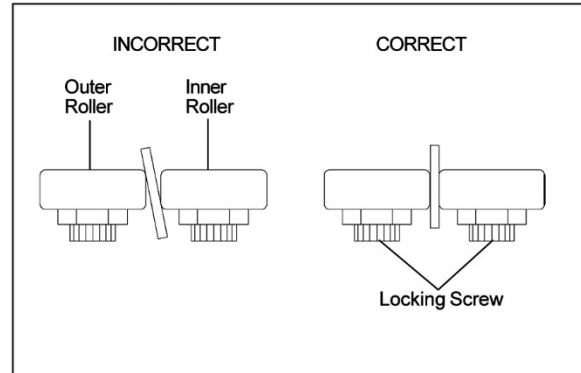


Figure 9

6. Tighten the center locking screw with an Allen wrench while holding the eccentric bushing in position with the 3/4-inch wrench.
7. When adjustment is correct, the guide bearing should rotate freely with slight pressure of the finger (with the blade stopped).
8. Adjust blade-edge bearings so they just touch the back edge of blade (see Figure 10).

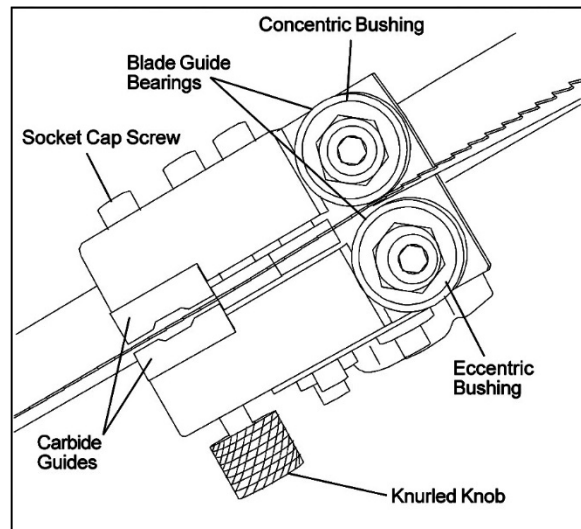


Figure 10

## 9.3 Verifying adjustment accuracy

Test cuts can be used to determine whether or not the blade has been accurately. Use 2-inch round bar stock to perform these test cuts, as follows:

1. Connect machine to power source.
2. With the bar stock securely clamped in the vise, make a cut through the bar stock. See Figure 11.
3. Mark the top of the bar stock.
4. Move the bar stock about 1/4-inch past the blade so you can begin a second cut.



5. Rotate the bar stock 180 degrees so that the mark you made is now at the bottom of the cut.
6. Make a cut through the bar stock.
7. Use a micrometer to measure the thickness variation of the disk you have cut from the bar stock. Measure at the top and bottom of the disk. The saw blade can be considered correctly adjusted when the variation measure is no more than 0.012 inch across the face of the disk.

Note: If you do not have a piece of 2-inch bar stock available for a test cut, use a larger diameter test piece rather than a smaller one. Maximum thickness variation on any test piece should be no more than 0.003 inch, per side, per inch of stock diameter.

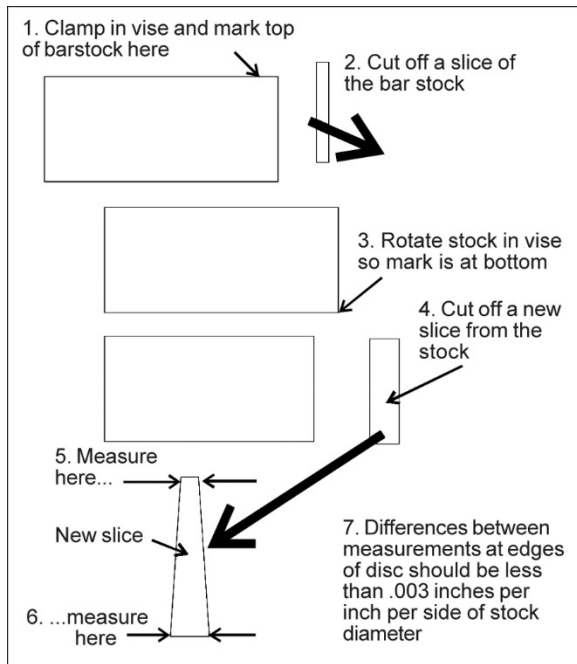


Figure 11

## 9.4 Limit switch adjustment

### 9.4.1 Adjustment of lower limit switch

The lower limit switch is provided to shut off the saw blade drive motor when the workpiece is cut through. The switch causes the saw head to raise to its uppermost stop.

To set the limit switch, loosen jam nut on stop bolt (Figure 12). Turn stop bolt with a wrench as required and retighten jam nut.

### 9.4.2 Adjustment of upper limit switch

The upper limit switch is provided to stop the saw head when it reaches its uppermost stop.

To set the upper limit switch, loosen the clamping knob on the limit switch support bracket. Move the limit switch to the desired switch trip point (use the scale on the side of the support bracket).

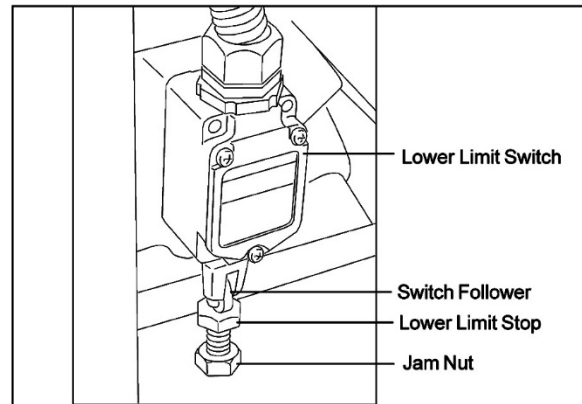


Figure 12

## 10.0 Operations

### 10.1 Starting the Saw

**WARNING** Never operate saw without blade covers in place and secured.

**CAUTION** Make sure blade is not in contact with workpiece when motor is started. Do not drop saw head on workpiece or force the blade through the workpiece.

1. Raise saw head.
2. Clamp workpiece in vise. (See Figure 13 for examples of workpieces in the vise.)
3. Be sure to start blade drive motor before allowing blade to contact workpiece.
4. Start motor and allow saw to come to full speed.
5. Slowly bring saw head down onto workpiece.
6. Adjust feed rate using feed rate control.
7. DO NOT LOWER THE SAW HEAD AT A RATE FASTER THAN THE SAW'S CAPABILITY, OR FORCE THE CUT. Adjust feed rate so the hydraulic cylinder provides the proper amount of downward force.
8. The saw will automatically shut off at end of cut.

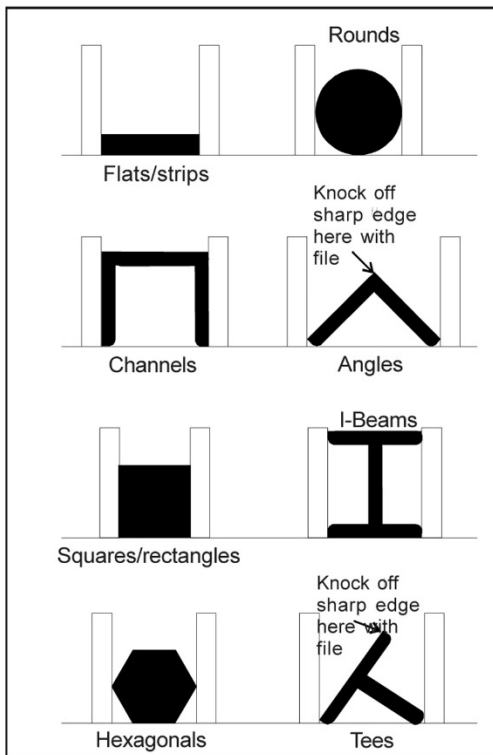


Figure 13: workpiece positioning in vise

## 10.2 Coolant flow

**CAUTION** The coolant pump must be submerged before operating to prevent damage to pump.

1. The blade guides are fitted with coolant fittings. Coolant is provided to the fittings through interconnecting tubing. The coolant is dispensed directly onto the saw blade.
2. Adjust the coolant flow valves on the top, rear of the saw head as required to provide the desired flow. The flow should be no more than the blade can draw into the workpiece by movement of the blade.
3. The coolant flow can be stopped in two ways:
  - 1) By using the coolant pump switch on the control panel, or
  - 2) By closing the coolant flow valves on the top, rear of the saw head.

## 10.3 Coolant mixture and quantity

The general purpose coolant is a mixture of water soluble oil and water. Mix one part of soluble oil (TRIM SOL) to ten parts of water (one quart oil, ten quarts of water). The eleven quarts of coolant is the amount required for the coolant pump to operate properly.

There are numerous coolants on the market that are formulated for special applications. Consult your local distributor for details in the event you have a

long range production task, or are required to cut some of the more exotic materials.

## 10.4 Controls

The operating controls for the saw are provided in a control panel on the left side of the machine. The control panel is mounted on a pivoting tube. The pivoting tube allows the operator to position the control panel in a convenient location.

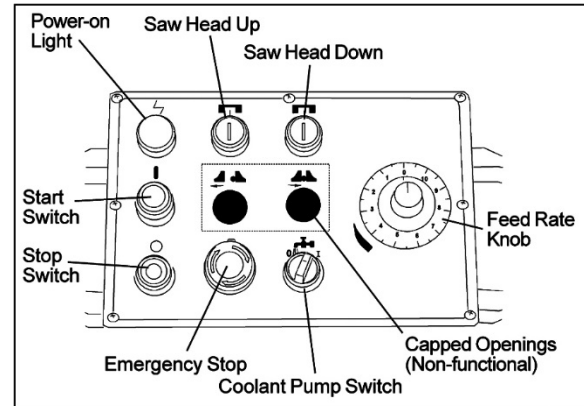


Figure 14: control panel

The upper row of controls includes the following:

- **Power On** light indicates when power is connected to the machine.
- **Saw Head Up** pushbutton raises the head.
- **Saw Head Down** pushbutton lowers head onto workpiece.

The center row of controls includes the following:

- **Start** pushbutton is used to start saw blade drive motor and hydraulic pump motor. The hydraulic pump provides the hydraulic pressure required to raise and lower the saw head.
- **Feed Rate** control is used to set the rate at which the blade feeds through workpiece.

The bottom row of controls includes the following:

- **Stop** pushbutton is used to stop saw blade drive motor.
- **Emergency stop** pushbutton is used to quickly disconnect electrical power to machine.
- **Coolant On/Off** selector switch is used to start and stop coolant pump motor.

## 10.5 Other controls

Refer to Figures 1 and 2 for location of the following controls:

- **Drive motor speed control:** used to set drive motor speed in meters per minute.

- Blade guide support adjustment: used to set distance between the saw blade guide bearing as required by the size of the workpiece.
- Blade tension handwheel: use to tighten the saw blade on the drive and idler wheels.
- Vise clamping handwheel: used to tighten the vise jaws against the workpiece.

## 10.6 Setting blade speed

**CAUTION** Only change speed while saw motor is running. Failure to comply may cause damage to motor.

1. The blade speed is controlled by an adjustment mechanism on the right end of the saw. Speed increases when the adjustment knob is turned counterclockwise. Speed decreases when the knob is turned clockwise.
2. A placard on the drive belt guard provides recommended speeds for various materials.
3. A speed indicator is provided on the barrel of the adjustment mechanism. The indicator provides speed indications of 70,100,130 and 160 feet per minute (21,30,40 and 48 meters per minute).
4. The feed rate graduations available on the indicator may not match the recommended feed rate. An approximate speed may therefore be required. For example, to set a speed rate of 25 meters per minute, the indicator would be set about midway between 21 meters-per-minute and the 30 meters-per-minute graduations.
5. Turn the speed adjustment knob to the desired rate setting as determined by the material being cut.

Speed MPM	Material
25	Tool Steel, Stainless Steel, Alloy Steel, Phosphor Bronze, Hard Bronze, Hard Cast Iron, Malleable Iron
40	Mild Steel, Soft Cast Iron, Medium Hard Brass, Medium Hard Bronze
50	Soft Brasses and Bronzes, Hard Aluminum, Plastics
75	Plastics, Wood, Soft and Medium Soft Aluminum, Other Light Materials

Table 2: Recommended blade speeds

## 10.7 Raising/lowering saw head

1. To raise saw head, press the Saw Head Up pushbutton. The head will rise until upper limit switch (Figure 15) trips.
2. To lower head, press Saw Head Down pushbutton. The head will lower until lower limit switch trips.

3. When saw head is being lowered to cut a workpiece, the saw blade drive motor must be started before lowering blade against workpiece. Set coolant pump selector to the ON ( I ) position if coolant is required by the material being cut.

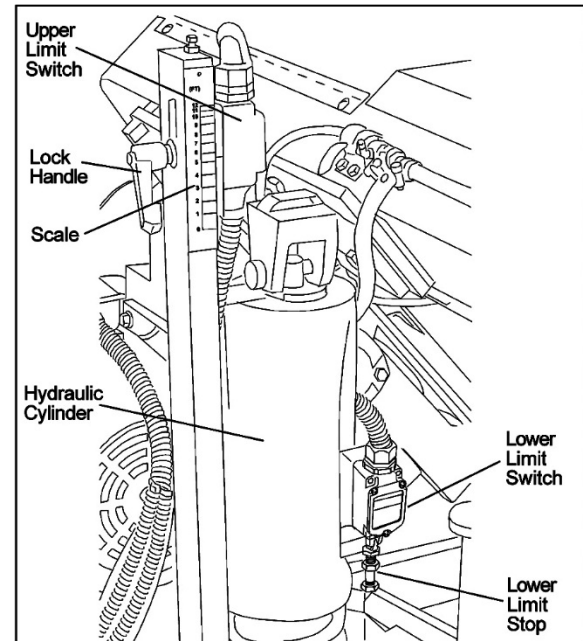


Figure 15: limit switches

## 10.8 Controlling the cut: Hydraulic feed control

The weight of the saw head provides all the force needed to move the blade through the workpiece. In fact, if the full weight of the saw head is allowed to make the cut, rapid blade wear and poor cutting accuracy will result. A hydraulic feed control is provided that gives the operator a means to control the speed and efficiency of cutting.

The hydraulic cylinder is attached between the saw base and the saw head. The hydraulic cylinder resists movement of the head in the downward direction. However, the hydraulic cylinder offers no resistance when the head is raised upward.

The amount of downward force can be controlled by using the feed rate control valve. When the valve is opened slightly, the saw head will move downward. The further the valve is opened, the faster the head will move downward.

The feed control is adjusted by the operator until the saw is operating efficiently. This is usually determined by observing chip formation. (See sect. 10.9 for more information.)

## 10.9 Evaluating cutting efficiency

Is the blade cutting efficiently? The best way to determine this is to observe the chips formed by the cutting blade.

If the chip formation is powdery, then the feed rate is much too light, or the blade is dull.

If the chips formed are curled, but colored — that is, either blue or straw-colored from heat generated during the cut — then the feed rate is too high.

If the chips are slightly curled and are not colored by heat — the blade is sufficiently sharp and is cutting at its most efficient rate.

## 10.10 Blade selection

The cut-off saw is provided with a saw blade that is adequate for a variety of cut-off jobs on a variety of common materials. A 4/6 vari tooth bi-metal blade (5512107) and a 6/10 vari tooth bi-metal blade (5512108) are available from JET.

See *sect. 10.6* for recommended speeds for various materials. These selections, while appropriate for many shop cutting needs, do not encompass the wide variety of blades of special configuration (tooth pitch and set) and special alloys for cutting unusual or exotic materials.

A coarse blade could be used for a solid steel bar but a finer tooth blade would be used on a thin-wall tube. In general, the blade choice is determined by the thickness of the material; the thinner the material, the finer the tooth pitch.

A minimum of three teeth should be on the work piece at all times for proper cutting. The blade and workpiece can be damaged if the teeth are so far apart that they straddle the workpiece.

For very high production on cutting of special materials, or to process hard-to-cut materials such as stainless steel, tool steel, or titanium, you can ask your industrial distributor for more specific blade recommendations. Also, the supplier who provides the workpiece material should be prepared to provide you with very specific instructions regarding the best blade (and coolant or cutting fluid, if needed) for the material and shape supplied.

## 10.11 Blade break-in procedures

New blades are very sharp and, therefore, have a tooth geometry which is easily damaged if a careful break-in procedure is not followed. Consult the blade manufacturer's literature for break-in of specific blades on specific materials. However, the following procedure will be adequate for break-in of JET-supplied blades on lower alloy ferrous materials.

1. Clamp a round section workpiece in the vise. The workpiece should be 2 inches or larger in diameter.
2. Set the saw on low speed. Start the cut with a very light feed rate.

3. When the saw has completed 1/3 of the cut, increase the feed rate slightly and allow the saw to complete the cut.
4. Keep the same hydraulic cylinder setting and begin a second cut on the same or similar workpiece.
5. When the blade has completed about 1/3 of the cut, increase the feed rate. Watch the chip formation until cutting is at its most efficient rate and allow the saw to complete the cut (see *sect. 10.9*). The blade is now considered ready for regular service.

# 11.0 User-maintenance

## 11.1 Cleaning

1. Clean off any preservative on machined surfaces.
2. After cleaning, coat the machined surfaces of the cut-off saw with a medium consistency machine oil. Repeat the oil coating process at least every six months.
3. Clean up accumulated saw cuttings after use. Make sure the lead screw is kept free of saw cuttings and other material that would cause damage.
4. Clean the chip sludge from the coolant tank. The frequency should be determined by how often the saw is used.

## 11.2 Lubrication

Lubricate the following components at the specified frequencies and using the lubricants as defined:

1. Ball bearings: The bearings are lubricated and sealed—periodic lubrication is not required.
2. Blade guide bearing: The bearings are lubricated and sealed—lubrication is not required. Inspect periodically.
3. Idler wheel bushing: The bearings are lubricated and sealed—lubrication is not required. Inspect periodically.
4. Lead screw bearing housing: Lubricate with light oil monthly (see exploded figure, *section 13.1.1*).
5. Lead screw: Lubricate with light oil monthly (see exploded figure, *section 13.1.1*).
6. Hydraulic cylinder pivot: Lubricate with light oil every 6 months (see exploded figure, *section 13.1.1*).
7. Blade tension shaft: Lubricate with grease every 6 months (see exploded figure, *section 13.2.1*).
8. Blade brush bearing: Lubricate with light oil monthly (see exploded figure, *section 13.2.1*).

9. Gear box: check oil once a year.
10. Change coolant on a frequency appropriate to the type of coolant being used. Oil based coolants can sour. Refer to coolant supplier's instructions for change frequency.
11. Coolant tank: Clean every 6 months or as required.
12. Hydraulic oil reservoir: Check oil level periodically by checking the oil level indicator on side of reservoir. If level is low, service reservoir (refer to Servicing Hydraulic Oil).

### 11.3 Servicing hydraulic oil

**⚠WARNING** Shut off all electrical power to the machine.

1. Remove hydraulic oil reservoir access panel.
2. Check oil level (refer to Figure 16). If level is below the yellow (upper) line, the reservoir should be filled.
3. Disconnect electrical power.
4. Remove reservoir fill cap.
5. Add oil until the level is at the yellow (upper) line. Install reservoir fill cap.
6. If a significant amount of oil needed to be added, check for oil leaks in pump components, lines, and hydraulic cylinder. Correct source of leakage before operating the cut off saw.
7. Connect electrical power. Raise and lower the saw head to confirm that the saw is operating correctly.

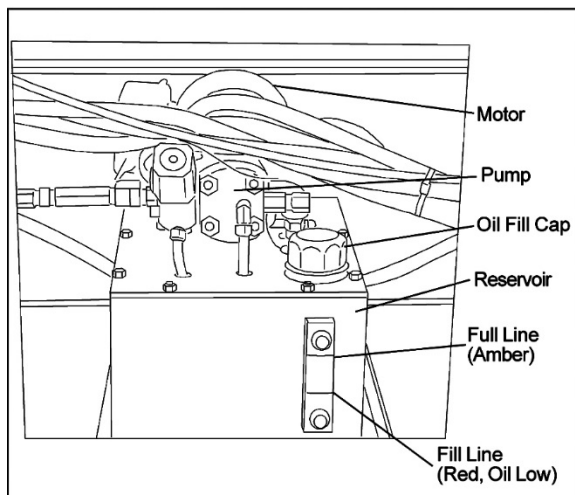


Figure 16

### 11.4 Changing blades

**⚠WARNING** Shut off all electrical power to machine.

1. Loosen four knobs securing blade cover. Lift cover and swing it backward.

2. Remove blade guard mounted to left blade guide support.

**⚠WARNING** Always wear leather gloves when handling saw blade to avoid injury from saw teeth.

3. Turn blade tensioning handwheel clockwise to relieve tension on blade. Loosen blade enough to remove blade from idler and drive wheels. Remove blade from between blade guides.
4. Install new blade between blade guide bearings and carbide blade guides. Install blade over the drive and idler wheels.
5. Turn blade tensioning handwheel counter-clockwise to tighten blade. Tighten blade until blade tension indicator reads desired setting.
6. Operate the saw at low speed and observe the tracking of blade. If tracking needs to be adjusted, refer to sect. 9.1.
7. Adjust the bearings on upper edge of blade until they just contact blade (see Figure 19).
8. Check the guide bearings and the carbide guides to make sure they are just contacting the sides of blade.
9. Install left blade guard making sure there is ample clearance with blade.
10. Make a test cut to verify that blade tracks properly during operation. Adjust tracking as required (see sect. 9.1).

### 11.5 Changing drive belt

1. Disconnect electrical power from the saw to prevent any possibility of accidental motor start-up.
2. Set the saw head at full horizontal position.
3. Remove knob on drive belt cover. Remove drive belt cover to expose V-belt and pulleys.
4. Remove two screws, nuts, and washers from back of saw head support. Push on motor support bracket to pivot motor upward to loosen the tension on belt.
5. Remove the worn belt.
6. Put the replacement belt in the pulleys. Allow motor to pivot downward.
7. Install the two screws, nuts, and washers in back of saw head support and through the motor support bracket.
8. Install drive belt cover. Install and tighten knob on drive belt cover.

## 11.6 Replacing drive motor

1. Disconnect motor from all electrical power. Unplug the motor if it is plugged into a socket. Shut off the power to the branch and remove the connection to the junction box if the motor is hard wired to the branch.
2. Remove drive belt from drive motor pulley (see *sect. 11.5*).
3. Remove motor pulley.
4. Open motor junction box and disconnect the power cord wires from their terminals.
5. Remove nuts, washers and bolts that secure motor to mounting plate.
6. Installation of new motor is a reversal of the above steps.

## 11.7 Replacing drive wheel

1. Remove blade (see *sect. 11.4*).
2. Remove screw, spring washer, and washer from the speed reducer shaft.
3. Pull wheel from speed reducer shaft. Remove drive key from speed reducer shaft.
4. Inspection: Examine drive edge and shoulder of the wheel for damage. Replace wheel if damaged.
5. Install key in keyway in the speed reducer shaft. Align keyway in wheel with the key in speed reducer shaft. Reinstall wheel on speed reducer shaft.
6. Install screw, spring washer and washer in the end of speed reducer shaft.
7. Install blade (see *sect. 11.4*).

## 11.8 Replacing idler wheel or idler bearing

1. Remove saw blade (see *sect. 11.4*).
2. Remove screw, spring washer, and washer from idler shaft.
3. Remove idler wheel. Remove bearing from idler wheel.
4. Inspection: Examine drive edge and shoulder of the idler wheel for damage. Replace wheel if damaged.
5. Inspect bearings for damage and smooth operation. Replace if faulty.
6. Install the bearing in idler wheel. Install idler wheel on idler shaft.
7. Install screw, spring washer and washer in idler shaft.
8. Install blade (*sect. 11.4*).

## 11.9 Adjusting blade guides

The band saw has adjustable blade guide supports (see Figure 17). These allow you to set the blade guides for varying widths of workpieces.

To make accurate cuts and prolong blade life, the blade guide supports should be set to just clear the workpiece to be cut.

1. Loosen knob on blade guide support and slide the guide left or right as required. Repeat for other blade guide.
2. Set the blade guide supports as required to accommodate the width/diameter of workpiece. The blade guides should be positioned so the guides do not contact workpiece as the saw head moves downward through workpiece.

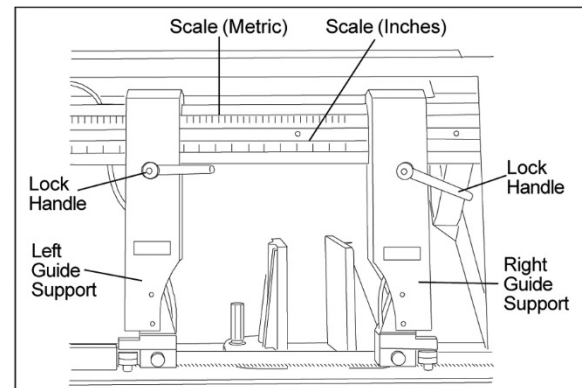


Figure 17: Blade guide supports

## 11.10 Replacing carbide blade guides

Refer to Figure 18.

1. Remove front blade guide by removing adjustment knob, spring, and shaft.
2. Remove rear blade guide by removing its attachment screw.
3. Install replacement blade guide in the rear guide location. Secure with attachment screw.

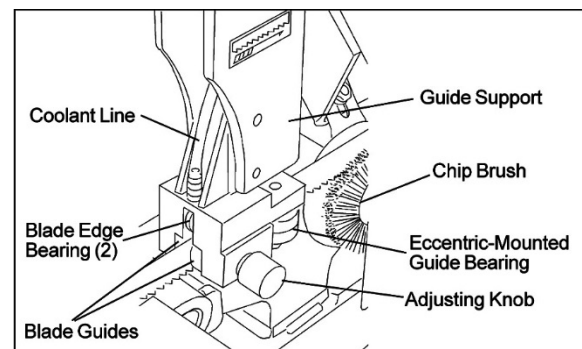


Figure 18: Carbide blade guides and guide bearings.

4. Install replacement blade guide in the front guide location. Install shaft into guide. Install spring and adjustment knob.

- Adjust outermost blade guide using adjustment knob. Set the guide so it just contacts the side of the blade.

### 11.11 Replacing guide bearings

- Remove cap screw from bearing being replaced. See Figure 18. Separate bushing and cap screw from the bearing. Discard bearing.

**NOTE:** There is a light press fit between bearing and bushing.

- Install bushing in replacement bearing. Install cap screw through bushing and into guide support.
- Turn the eccentric bushing in guide support until bearing contacts blade.

### 11.12 Replacing blade edge bearings

- Remove cap screw from blade edge bearing being replaced and discard bearing. Be careful not to lose the lock washer that separates the bearing from the floating block (see Figure 19).
- Insert cap screw into new bearing. Replace the lock washer onto the cap screw and re-install into the floating block.
- If re-adjustment is necessary, loosen the pivot cap screw and move the floating block so that the blade edge is close to the guide support, but cannot touch the bottom surface of it when the saw blade is cutting a workpiece.
- Adjust blade edge guide bearings so they just contact edge of blade.

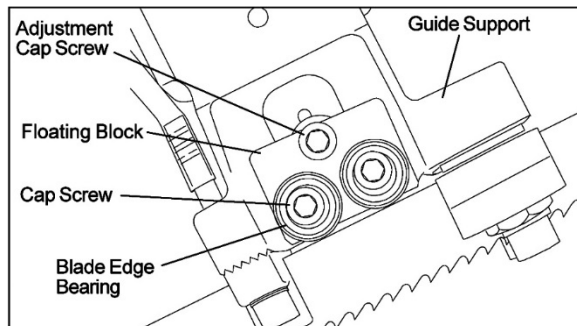


Figure 19: Blade edge bearing replacement

### 11.13 Replacing wire brush

- Loosen four knobs securing blade cover. Lift cover and swing it backward.
- Remove attaching screw, spring washer and washer. Remove and discard brush (see Figure 20).

- Install replacement brush and secure with screw, spring washer and washer.
- Close blade cover and secure with four knobs.

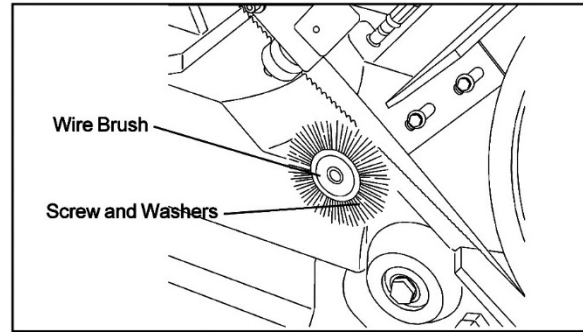


Figure 20: Wire brush

### 11.14 Replacing Coolant Pump

**WARNING** Shut off all electrical power to machine.

- Remove four screws and the coolant pump access panel from the machine base (refer to Figure 21).
- Disconnect coolant pump wiring (refer to Wiring Data).
- Remove coolant pump mounting screws. Remove the coolant pump.
- Install replacement coolant pump and secure with mounting screws.
- Connect electrical wiring to coolant pump (see Wiring Data).
- Connect electrical power. Start the machine to check operation of the pump.
- Install the access panel and secure with four screws.

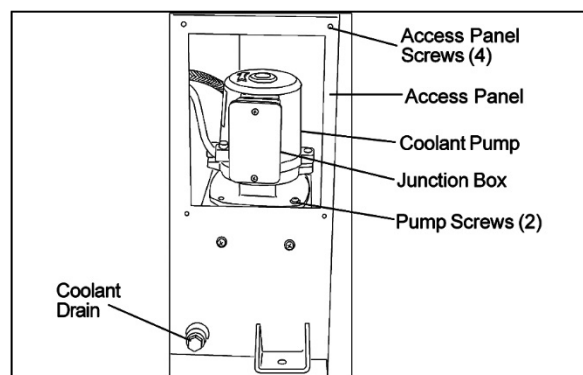


Figure 21: Coolant pump replacement

## 12.0 Troubleshooting J-7060 Band Saw

Symptom	Possible Cause	Correction
Excessive blade breakage	Material loose in vise.	Clamp work securely.
	Incorrect speed or feed.	Check machinist's handbook for speed/feed appropriate for the material being cut.
	Teeth too coarse for material.	Check machinist's handbook for recommended blade type.
	Incorrect blade tension.	Adjust blade tension to the point where the blade just does not slip on the wheel.
	Saw blade is in contact with workpiece before the saw is started.	Start the motor before placing the saw on the workpiece.
	Blade rubs on the wheel flange.	Adjust blade tracking.
	Misaligned guides.	Adjust guides.
	Cracking at weld.	Longer annealing cycle.
Premature blade dulling	Blade teeth too coarse.	Use a finer tooth blade.
	Blade speed too high.	Try a lower blade speed.
	Inadequate feed pressure.	Decrease spring tension.
	Hard spots in workpiece or scale on/in workpiece.	Increase feed pressure (hard spots). Reduce speed, increase feed pressure (scale).
	Work hardening of material (especially stainless steel).	Increase feed pressure by reducing spring tension.
	Insufficient blade tension.	Increase tension to proper level.
	Operating saw without pressure on workpiece.	Do not run blade at idle in/on material.
Bad cuts (out-of-square)	Workpiece not square with blade.	Adjust vise so it is square with the blade. (Always clamp work tightly in vise.)
	Feed pressure too fast.	Decrease pressure.
	Guide bearings not adjusted properly.	Adjust guide bearing clearance to 0.001 inch (0.002 inch maximum).
	Inadequate blade tension.	Gradually increase blade tension.
	Span between the two blade guides too wide.	Move blade guide bar closer to work.
	Dull blade.	Replace blade.
	Incorrect blade speed.	Check blade speed.
	Blade guide assembly is loose.	Tighten blade guide assembly.
	Blade guide bearing assembly loose.	Tighten blade guide bearing assembly.
	Blade tracks too far away from wheel flanges.	Adjust blade tracking.
Bad cuts (rough)	Blade speed too high for feed pressure.	Reduce blade speed and feed pressure.
	Blade is too coarse.	Replace with finer blade.
Blade is twisting	Blade is binding in the cut.	Decrease feed pressure.
	Blade tension too high.	Decrease tension on blade.



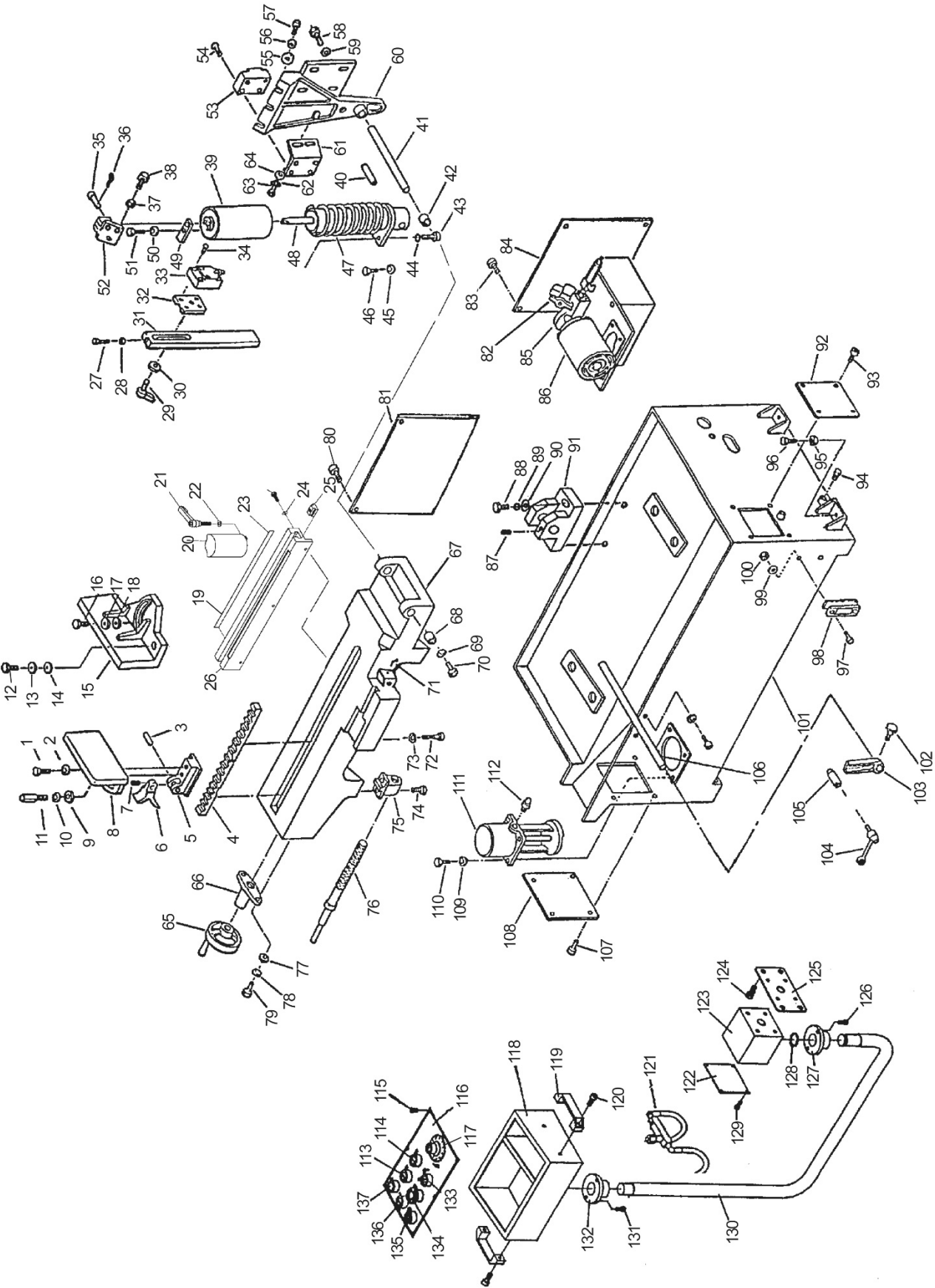
Symptom	Possible Cause	Correction
Unusual wear on side/back of blade	Blade guides worn	Replace blade guides.
	Blade guide bearings not adjusted.	Adjust blade guide bearings.
	Blade guide bearing bracket is loose.	Tighten blade guide bearing bracket.
Teeth missing/ripped from blade	Blade tooth pitch too coarse for workpiece.	Use blade with finer tooth pitch.
	Feed too slow; feed too fast.	Increase feed pressure and/or blade speed.
	Workpiece vibrating.	Clamp workpiece securely.
	Gullets loading up with chips.	Use blade with a coarse tooth pitch; reduce feed pressure. Brush blade to remove chips.
Motor running too hot	Blade tension too high.	Reduce tension on blade.
	Drive belt tension too high.	Reduce tension on drive belt.
	Blade too coarse for workpiece (especially with tubular stock).	Use blade with fine tooth pitch.
	Blade too fine for workpiece (especially with heavier, soft material).	Use blade with coarse tooth pitch.
	Speed reducer gears require lubrication.	Check speed reducer.
No coolant flow	Pump motor is burned out.	Replace pump.
	Screen/filter on pump is clogged.	Clean screen/filter.
	Impeller is loose.	Tighten impeller.
	Coolant level too low.	Add coolant to reservoir.
Excessive speed reducer noise/vibration	V-belt is too tight.	Reset V-belt tension.

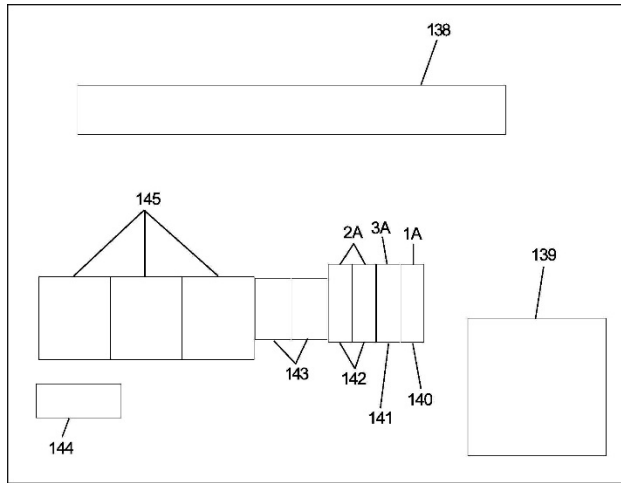
## 13.0 Replacement Parts

Replacement parts are listed on the following pages. To order parts or reach our service department, call 1-800-274-6848 Monday through Friday, 8:00 a.m. to 5:00 p.m. CST. Having the Model Number and Serial Number of your machine available when you call will allow us to serve you quickly and accurately.

Non-proprietary parts, such as fasteners, can be found at local hardware stores, or may be ordered from JET. Some parts are shown for reference only, and may not be available individually.

13.1.1 J-7060 Base Assembly – Exploded View





Base Assembly: Electrical components

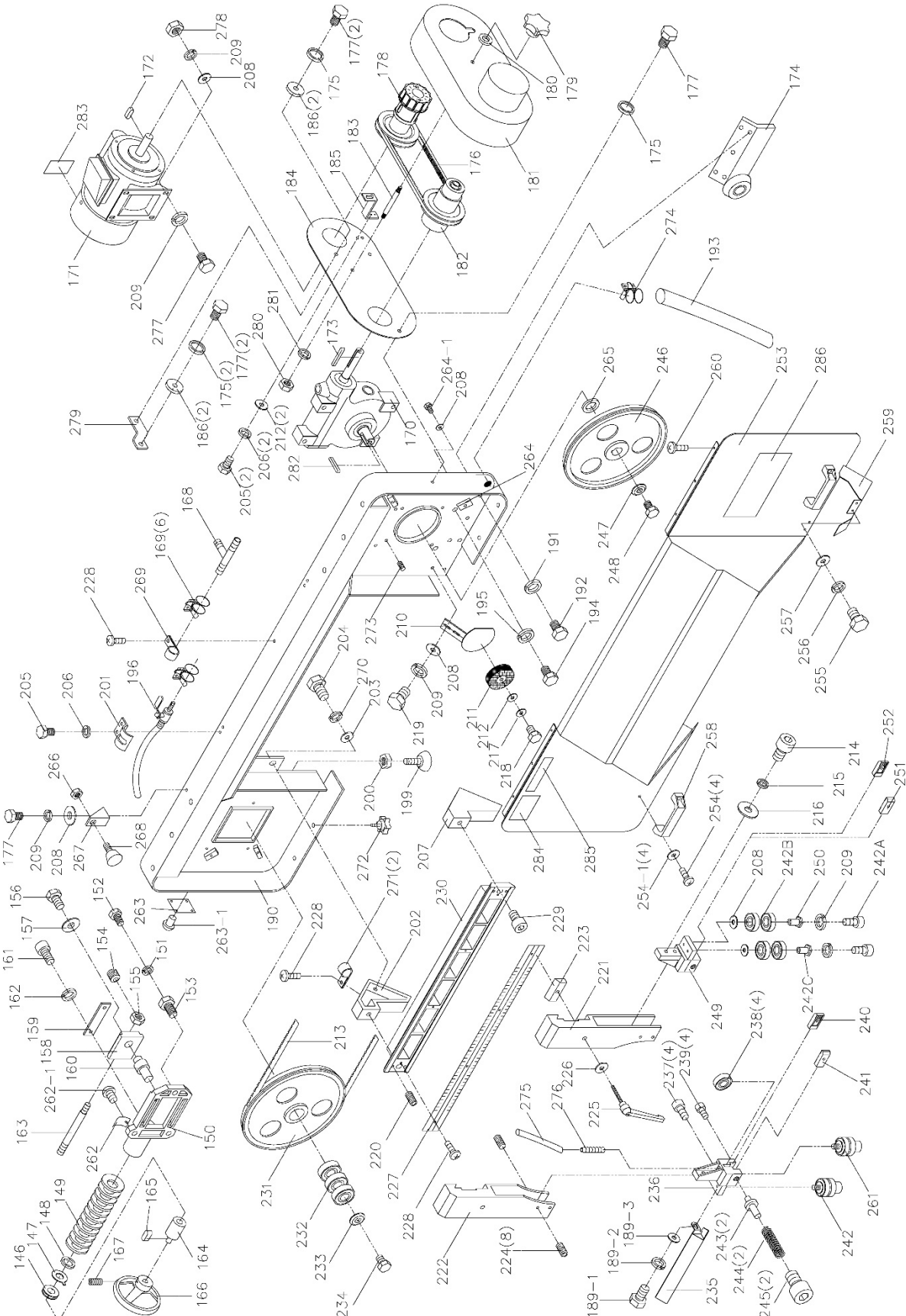
### 13.1.2 J-7060 Base Assembly – Parts List

Index No	Part No	Description	Size	Qty
1	5512120	Bolt, Hex Cap	M12x35	1
2	5512121	Washer, Lock	M12	1
3	5512122	Pin		2
4	J-5512123	Rack		1
5	J-5512124	Bracket, Slide		1
6	J-5512125	Block, Rack		1
7	5512126	Screw, Set	M6x10	1
8	J-5512127	Jaw, Vise (Left)		1
9	5512128	Washer	M12	1
10	5512129	Washer, Lock	M12	1
11	5512130	Bolt, Locking	M12x35	1
12	5512131	Bolt, Hex Cap	M12x40	2
13	5512121	Washer, Lock	M12	1
14	5512128	Washer	M12	1
15	J-5512173	Jaw, Vise (Right)		1
16	5512131	Bolt, Hex Cap	M12x40	2
17	5512121	Washer, Lock	M12	1
18	5512128	Washer	M12	1
19	5512174	Scale, Angle		1
20	J-5512132	Block, Protractor Vise		1
21	5512133	Handle, Locking		1
22	5512134	Washer	1/2-inch	1
23	5512135	Screw	3/8x1-inch	3
24	5512136	Washer		3
25	5512137	Seat, Protractor		1
26	J-5512138G	Stop Block, Protractor		1
29	5512139	Screw, Hex Cap, Socket	M10x25	1
30	5512140	Washer	M10	1
27	5512141	Bolt, Hex Cap	M8x30	1
28	5512142	Nut	M8	1
31	J-5512143	Bracket, Adjusting		1
32	5512144	Plate, Switch Mounting		1
33	5512145	Switch Limit	5101	1
34	5512146	Screw, Hex Cap, Socket	M8x20	4
35	5512147	Pin, Cylinder		1
36	5512148	Pin, Retaining		1
37	5512149	Washer, Lock	M10	4
38	5512150	Bolt, Hex Cap	M10x30	4
39	5512151	Cover, Cylinder		1
40	5512152	Pin	20MM	1

Index No	Part No	Description	Size	Qty
41	5512153	Shaft, Pivot		1
42	5512154	Bearing, Needle	CB3020	1
43	5512155	Bolt, Hex Cap.	M8x25	1
44	5512156	Washer, Lock	M8	1
45	5512140	Washer	M10	1
46	5512150	Bolt, Hex Cap.	M10x30	1
47	5512157	Spring		1
48	5512158	Cylinder Assembly, Hydraulic		1
49	5512159	Plate, Switch Stop		1
50	5512160	Washer, Lock	M6	1
51	5512161	Screw, Hex Cap, Socket	M6x12	1
52	J-5512162	Plate, Hydraulic Mounting (Top)		1
53	5512163	Switch Limit	5102	1
54	5512146	Screw, Hex Cap, Socket	M8x20	4
55	5512128	Washer	M12	3
56	5512164	Washer, Lock	M12	3
57	5512165	Bolt, Hex Cap.	M8x50	3
58	5512166	Bolt, Hex Cap.	M8x20	4
59	5512167	Washer	M8	4
60	J-5512168G	Bracket, Pivot		1
61	J-5512169	Bracket, Limit Switch		1
62	5512156	Washer, Lock	M8	2
63	5512171	Bolt, Hex Cap, Socket	M8x20	2
64	5512167	Washer	M8	2
65	5512676	Handwheel Assembly		1
66	J-5512677G	Seat, Lead Screw		1
67	J-5512175G	Work Table		1
68	5512154	Bearing, Needle	CB3020	1
69	5512128	Washer	M12	1
70	5512155	Bolt, Hex Cap.	M8x25	2
71	5512178	Knob, Lock		1
72	5512179	Bolt, Hex Cap, Socket	M8x25	1
73	5512167	Washer	M8	1
74	5512166	Bolt, Hex Cap.	M8x20	2
75	5512182	Seat, Lead Screw		1
76	5512183	Screw, Lead		1
77	5512213	Washer	M8	2
78	5512156	Washer, Lock	M8	2
79	5512184	Bolt, Hex Cap.	M8x30	2
80	5512185	Screw		4
81	J-5512186G	Cover, Electrical Panel		1
82	5512187	Valve, Solenoid		1
83	5512188	Screw, Hex Cap, Socket	M6x8	4
84	J-5512189G	Cover, Panel		1
85	5512190	Pump Assembly, Hydraulic		1
86	5512191	Motor		1
87	5512126	Screw, Set	M6x10	1
88	5512192	Bolt, Hex Cap.	M12x35	2
89	5512164	Washer, Lock	M12	2
90	5512128	Washer	M12	2
91	J-5512194G	Seat, Hydraulic		1
92	J-5512195G	Cover, Panel		1
93	5512188	Screw, Hex Cap, Socket	M6x8	4
94	5512197	Plug, Drain	3/8-in. PT	1
95	5512198	Nut, Hex	M12	4
96	5512199	Bolt, Hex Cap.	12x70	4
97	5512200	Bolt, Hex Cap.	M10x30	2
98	5512201	Gauge, Coolant		1
99	5512140	Washer	M10	2
100	5512202	Nut	M10	2
101	J-5512203G	Base		1
102	5512204	Knob, Lock		1

Index No	Part No	Description	Size	Qty
103	J-5512205	Bracket, Stop		1
104	5512206	Handle, Lock		1
105	5512207	Stop, Work		1
106	5512208	Rod, Stop		1
107	5512188	Bolt, Hex Socket Cap	M6x8	4
108	J-5512210G	Cover, Panel		1
109	5512211	Washer, Lock		2
110	5512212	Screw, Pan Head	M6x16	2
111	J-5512675	Pump, Coolant	1HP/3PH	1
112	5512214	Tube, Connecting		1
113	5512215	Switch (Saw Head Up)		1
114	5512216	Switch (Saw Head Down)		1
115	5512217	Screw, Pan Head	M5x8	8
116	5512218	Panel, Control		1
117	5512219	Control, Cutting Pressure		1
118	J-5512220G	Box, Control		1
119	5512221	Handle		1
120	5512222	Screw, Pan Head	M6x15	4
121	5512223	Valve, Relief		1
122	J-5512224G	Plate, Cover		1
123	J-5512225G	Box, Stationary		1
124	5512226	Screw	M8x16	4
125	J-5512227G	Plate, Sole		1
126	5512228	Screw	1/4x5/8 in.	2
127	5512229	Bushing, Stationary Box		1
128	5512230	Collar		1
129	5512231	Screw	M5x8	4
130	J-5512232G	Rod, Control		1
131	5512228	Screw	1/4x5/8 in.	2
132	5512234	Bushing, Control Box		1
133	5512235	Switch, Coolant		1
134	5512682	Emergency Stop		1
135	5512237	Switch, Stop		1
136	5512238	Switch, Start		1
137	5512681	Light, Power Indicator		1
138	5512240	Strip, Terminal		1
139	5512241	Transformer	3PH	1
140	5512242	Fuse	1A	1
141	5512244	Fuse	3A	1
142	5512243	Fuse	2A	2
143	5512245	Relay		2
144	5512246	Switch, Overload		1
145	5512247	Contact, Magnetic	3PH	3

13.2.1 J-7060 Saw Head Assembly – Exploded View



### 13.2.2 J-7060 Saw Head Assembly – Parts List

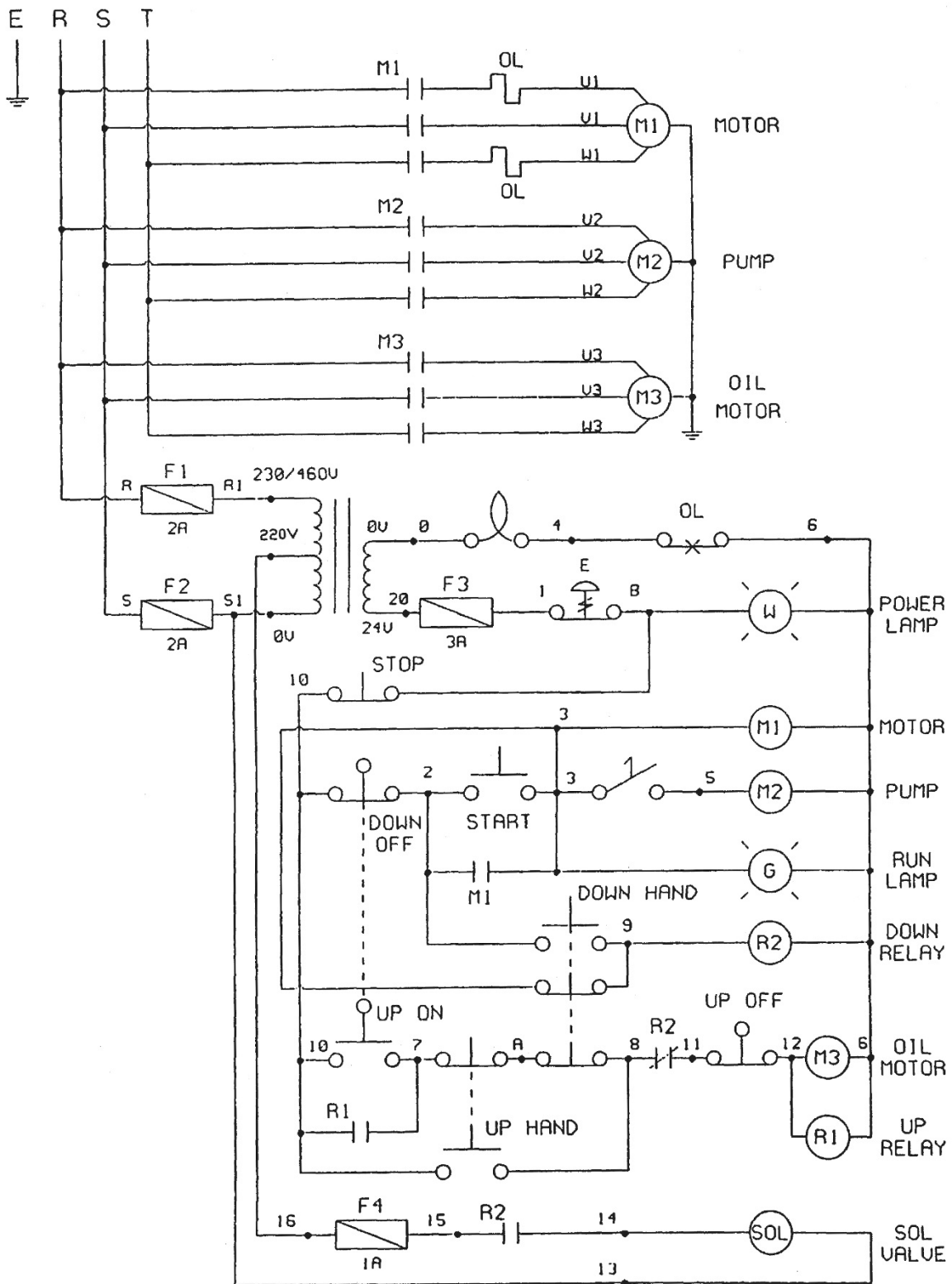
Index No	Part No	Description	Size	Qty
146	5512248	Thrust Bearing	51194NJK	1
147	5512249	Tension Indicator		1
148	5512250	Flat Washer		1
149	5512251	Special Spring Washer		18
150	J-5512252G	Slide Bracket		1
151	5512253	Lock Washer		3
152	5512254	Hex Cap Screw		3
153	5512255	Screw Assembly		3
154	5512126	Set Screw	M6x10	1
155	5512256	Hex Nut	M16	1
156	5512257	Socket Head Cap Screw	M12x25	1
157	5512258	Lock Washer	M12	1
158	J-5512259G	Slide Bracket		1
159	J-5512260G	Gib		2
160	5512261	Shaft, Blade Wheel Bracket		1
161	5512146	Hex Socket Cap Screw	M8x20	6
162	5512156	Lock Washer	M8	6
163	5512263	Tension Shaft		1
164	5512264	Extension Bar		1
165	5512265	Key	5x5x20 mm	1
166	5512266	Handwheel		1
167	J-5512267	Set Screw	M8x10	1
168	5512268	Connection Head		1
169	5512269	Hose Clamp		6
170	J-5512270	Gear Box Assembly		1
171	J-5512271	Motor		1
172	5512272	Key	8x8x40 mm	1
173	5512273	Key	7x7x45 mm	1
174	J-5512274	Seat, Support Bracket		1
175	5512156	Lock Washer	M8	5
176	5512275	Belt	1922V321	1
177	5512276	Hex Cap Bolt	M8x16	5
178	J-5512277	Variable Speed Assembly		1
179	5512278	Knob	3/8"	1
180	5512279	Flat Washer		1
181	J-5512280	Pulley Cover		1
182	J-5512281	Pulley, Gear Box		1
183	5512282	Shaft		1
184	J-5512283	Plate, Variable Speed		1
185	5512284	Plate		2
186	5512167	Flat Washer	M8	3
189-1	TS-1490021	Hex Cap Screw	M8x16	1
189-2	5512156	Lock Washer	M8	1
189-3	5507668	Flat Washer	M8	1
190	J-5512285	Saw Bow		1
191	5512149	Lock Washer	M10	4
192	5512287	Hex Cap Bolt	M10x35	4
193	5512288	Hose	ID 30mm	1
194	5512192	Hex Cap Bolt	M12x35	4
195	5512129	Lock Washer	M12	4
196	5512291	Flexible Nozzle		1
199	5512294	Bolt, Stand		1
200	5512295	Hex Nut	1/4"	1
201	5512296	Clamp Hose		2
202	J-5512297G	Blade Bracket (Left)		1
203	J-5512298	Flat Washer	M12	4
204	5512299	Hex Cap Bolt	M12x30	4
205	5512300	Hex Cap Bolt	M6x12	4
206	5512301	Lock Washer	M6	4
207	J-5512302G	Blade Bracket (Right)		1

Index No	Part No	Description	Size	Qty
208	5512167	Flat Washer	M8	11
209	5512156	Lock Washer	M8	15
210	5512304	Seat, Wire Brush		1
211	5512680	Brush, Wire		1
212	5512306	Flat Washer	M6	3
213	5512107	Blade	4/6T	1
	5512108	Blade	6/10T	1
214	5512308	Socket Head Cap Screw	M10x45	4
215	5512149	Lock Washer	M10	4
216	5512140	Flat Washer	M10	4
217	5512311	Flat Washer		1
218	5512312	Screw		1
219	5512192	Hex Cap Bolt	M12x35	2
220	J-5512314	Set Screw	M8x10	4
221	J-5512315G	Bracket, Adjustable Mount (Right)		1
222	J-5512316G	Bracket, Adjustable Mount (Left)		1
223	5512317	Block, Lock		2
224	5512318	Set Screw	M8x16	8
225	5512319	Locking Handle	3/8x2"	2
226	5512140	Flat Washer	M10	2
227	5512321	Angle Scale		1
228	5512322	Pan Head Screw	M5x8	6
229	J-5512323	Socket Head Cap Screw	M10x25	2
230	J-5512324G	Slide Bracket		1
231	5512325	Idler Wheel		1
232	5512326	Ball Bearing	6206ZZ	3
233	5512327	Flat Washer	M12x35	1
234	5512328	Hex Cap Bolt	M12x25	4
235	J-5512329	Blade Guard		1
236	5512330	Bracket, Guide (Left)		1
237	5512331	Socket Head Cap Screw	M8x30	1
238	5512332	Ball Bearing		4
239	5512333	Socket Head Cap Screw	M6x16	4
240	5512684	Rear Blade Guide, Left		1
241	5512683	Front Blade Guide, Left		1
242	5512678	Assembly, Eccentric Shaft		2
242A	5512337	Socket Head Cap Screw	M8x40	4
242B	5513861	Ball Bearing	6201ZZ	8
242C	5517141	Eccentric Shaft Bushing		2
243	5512340	Shaft		2
244	5512341	Spring		2
245	5512342	Adjusting Knob		2
246	J-5512343	Drive Wheel		1
247	5512344	Special Washer	M12x50	1
248	5512345	Screw		1
249	5512346	Guide Bracket (Right)		1
250	5517140	Bushing, Center Shaft		2
251	5512686	Rear Blade Guide, Right		1
252	5512685	Front Blade Guide, Right		1
253	J-5512350G	Cover, Blade Wheel		1
254	5512222	Pan Head Screw	M6x15	4
254-1	5713661	Flat Washer	1/4"	4
255	5512351	Socket Head Cap Screw	M6x12	2
256	5512160	Lock Washer	M6	2
257	5512306	Flat Washer	M6	2
258	5512221	Handle		2
259	J-5512354	Wire Brush Guard		1
260	5512355	Screw	1/4"x3/8"	6
261	5517143	Center Shaft Assembly		2
262	5519691	Scale, Tension		1
262-1	5519690	Pan Head Screw	M6x12	2
263	5519672	Tension Scale		1



Index No	Part No	Description	Size	Qty
263-1	5519492	Rivet		4
264	J-7060M-264	Block		4
264-1	TS-1490041	Hex Cap Screw	M8x25	4
265	J-7060M-265	Special Washer	60x50x4	1
266	TS-0561051	Hex Nut	1/2"	1
267	J-7060-267	Bracket		1
268	J-7060-268	Pad		1
269	J-7060-269	Rubber Clamp	7/16"	2
270	5628371	Spring Washer	1/2"	4
271	J-7060M-271	Rubber Clamp	5/16"	2
272	5714221	Knob		4
273	TS-1525031	Set Screw	M10x16	2
274	J-7060-274	Metal Clamp	32mm	2
275	J-7060-275	Hose	1/4"	2
276	J-7060-276	Tube, Copper	1/4"	2
277	TS-1490081	Hex Cap Screw	M8x45	4
278	TS-1540061	Hex Nut	M8	4
279	J-7060-279	Plate		1
280	TS-0570031	Hex Nut	3/8"	1
281	TS-0720091	Spring Washer	3/8"	1
282	J-7060-282	Key	12x30x8	1
283	LM000361	Motor Label, J-7060		1
284	LM000362	Warning Label, J-7060		1
285	LM000363	Blade Specification Label		1
286	JET-165	JET Logo	165x68 mm	1

# 14.0 Electrical Connections – J-7060 Band Saw



## 15.0 Warranty and service

JET® warrants every product it sells against manufacturers' defects. If one of our tools needs service or repair, please contact Technical Service by calling 1-800-274-6846, 8AM to 5PM CST, Monday through Friday.

### Warranty Period

The general warranty lasts for the time period specified in the literature included with your product or on the official JET branded website.

- JET products carry a limited warranty which varies in duration based upon the product. (See chart below)
- Accessories carry a limited warranty of one year from the date of receipt.
- Consumable items are defined as expendable parts or accessories expected to become inoperable within a reasonable amount of use and are covered by a 90 day limited warranty against manufacturer's defects.

### Who is Covered

This warranty covers only the initial purchaser of the product from the date of delivery.

### What is Covered

This warranty covers any defects in workmanship or materials subject to the limitations stated below. This warranty does not cover failures due directly or indirectly to misuse, abuse, negligence or accidents, normal wear-and-tear, improper repair, alterations or lack of maintenance. JET woodworking machinery is designed to be used with Wood. Use of these machines in the processing of metal, plastics, or other materials outside recommended guidelines may void the warranty. The exceptions are acrylics and other natural items that are made specifically for wood turning.

### Warranty Limitations

Woodworking products with a Five Year Warranty that are used for commercial or industrial purposes default to a Two Year Warranty. Please contact Technical Service at 1-800-274-6846 for further clarification.

### How to Get Technical Support

Please contact Technical Service by calling 1-800-274-6846. **Please note that you will be asked to provide proof of initial purchase when calling.** If a product requires further inspection, the Technical Service representative will explain and assist with any additional action needed. JET has Authorized Service Centers located throughout the United States. For the name of an Authorized Service Center in your area call 1-800-274-6846 or use the Service Center Locator on the JET website.

### More Information

JET is constantly adding new products. For complete, up-to-date product information, check with your local distributor or visit the JET website.

### How State Law Applies

This warranty gives you specific legal rights, subject to applicable state law.

### Limitations on This Warranty

JET LIMITS ALL IMPLIED WARRANTIES TO THE PERIOD OF THE LIMITED WARRANTY FOR EACH PRODUCT. EXCEPT AS STATED HEREIN, ANY IMPLIED WARRANTIES OF MERCHANTABILITY AND FITNESS FOR A PARTICULAR PURPOSE ARE EXCLUDED. SOME STATES DO NOT ALLOW LIMITATIONS ON HOW LONG AN IMPLIED WARRANTY LASTS, SO THE ABOVE LIMITATION MAY NOT APPLY TO YOU.

JET SHALL IN NO EVENT BE LIABLE FOR DEATH, INJURIES TO PERSONS OR PROPERTY, OR FOR INCIDENTAL, CONTINGENT, SPECIAL, OR CONSEQUENTIAL DAMAGES ARISING FROM THE USE OF OUR PRODUCTS. SOME STATES DO NOT ALLOW THE EXCLUSION OR LIMITATION OF INCIDENTAL OR CONSEQUENTIAL DAMAGES, SO THE ABOVE LIMITATION OR EXCLUSION MAY NOT APPLY TO YOU.

JET sells through distributors only. The specifications listed in JET printed materials and on official JET website are given as general information and are not binding. JET reserves the right to effect at any time, without prior notice, those alterations to parts, fittings, and accessory equipment which they may deem necessary for any reason whatsoever. JET® branded products are not sold in Canada by JPW Industries, Inc.

### Product Listing with Warranty Period

90 Days – Parts; Consumable items
1 Year – Motors; Machine Accessories
2 Year – Metalworking Machinery; Electric Hoists, Electric Hoist Accessories; Woodworking Machinery used for industrial or commercial purposes
5 Year – Woodworking Machinery
Limited Lifetime – JET Parallel clamps; VOLT Series Electric Hoists; Manual Hoists; Manual Hoist Accessories; Shop Tools; Warehouse & Dock products; Hand Tools; Air Tools

NOTE: JET is a division of JPW Industries, Inc. References in this document to JET also apply to JPW Industries, Inc., or any of its successors in interest to the JET brand.



427 New Sanford Road  
LaVergne, Tennessee 37086  
Phone: 800-274-6848  
[www.jettools.com](http://www.jettools.com)