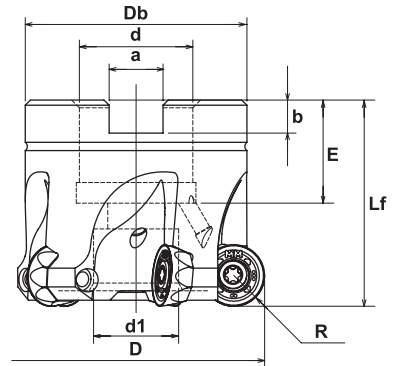




TDM Blade-Chipper

INCH
METRIC

Face Mill
TDM Type



Specifications - Inch

CATALOG NUMBER	STK	DIMENSIONS									INSERT	Q	PARTS	
		D	R	Lf	d	Db	a	b	E	d1			Screw	Wrench
TDM-5200R-12-075	•	2.00	6	2.00	.750	1.85	.319	.197	.750	.630	RPMT1204MOE-**	5	DSW-410H	A-15T
TDM-6250R-12-100	•	2.50	6	2.00	1.00	2.24	.374	.236	.866	.787		6		
TDM-7300R-12-100	•	3.00	6	2.00	1.00	2.24	.374	.236	.866	.787		7		
TDM-9400R-12-125	•	4.00	6	2.00	1.25	2.76	.500	.315	.866	.787		9		

Note: All cutters are supplied without inserts.

Specifications - Metric with 10mm insert

CATALOG NUMBER	STK	DIMENSIONS									INSERT	Q	PARTS	
		D	R	Lf	d	Db	a	b	E	d1			Screw	Wrench
TDM-5040R-10-16	◦	40	5	40	16	37	8.4	5.6	18	13.5	RPMT10T3MOE-**	5	DSW-307H	T-10
TDM-5042R-10-16	◦	42	5	40	16	38	8.4	5.6	18	13.5		5		

◦ - longer delivery may apply.

Note: All cutters are supplied without inserts.

Specifications - Metric with 12mm insert

CATALOG NUMBER	STK	DIMENSIONS									INSERT	Q	PARTS	
		D	R	Lf	d	Db	a	b	E	d1			Screw	Wrench
TDM-5050R-12-22	◦	50	6	40	22	43	10.4	6.3	20	16.5	RPMT1204MOE-**	5	DSW-410H	A-15T
TDM-5052R-12-22	◦	52	6	40	22	43	10.4	6.3	20	16.5		5		

◦ - longer delivery may apply.

Note: All cutters are supplied without inserts.