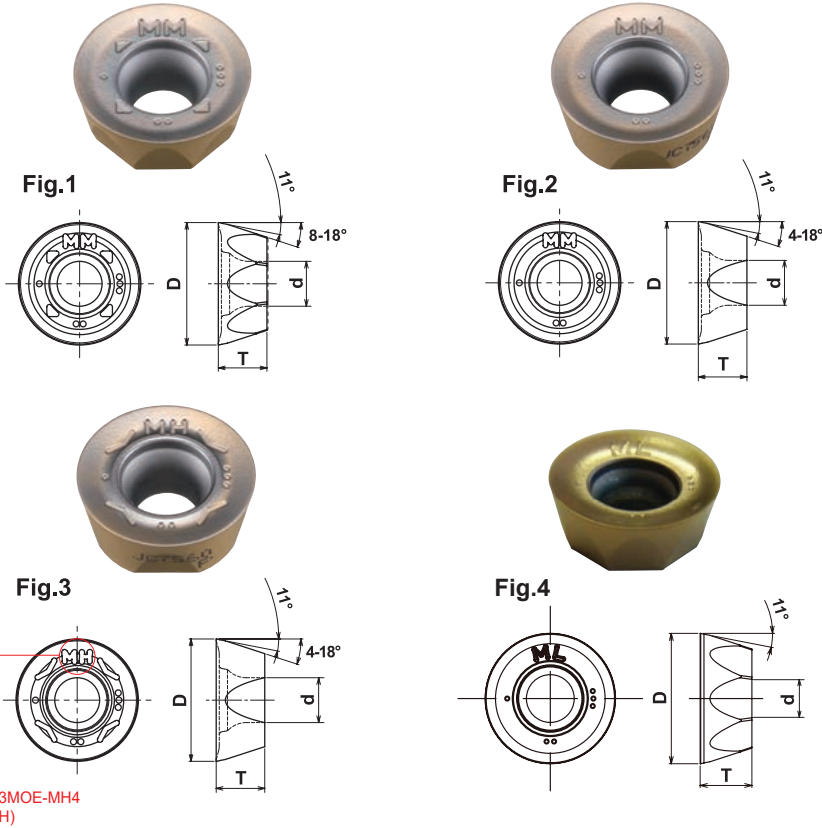




**METRIC**

# TDM Blade-Chipper

**Inserts**  
**RPMT Type**



## Specifications

CATALOG NUMBER	DIMENSIONS				FIG.	Cutting Edges	PVD Coated	
	Tolerance	D	T	d			JC7560P	JC7550
RPMT10T3MOE-MH4	M	10	3.97	3.5	3	4	•	
RPMT10T3MOE-MM4	M	10	3.97	3.5	2	4	•	
RPMT10T3MOE-ML4	M	10	3.97	3.5	4	4		•
RPMT1204MOE-MH4	M	12	4.76	4.4	3	4	•	
RPMT1204MOE-MM4	M	12	4.76	4.4	2	4	•	
RPMT1204MOE-MM8	M	12	4.76	4.4	1	8	•	
RPMT1204MOE-ML4	M	12	4.76	4.4	4	4		•
RPMT1204MOE-ML8	M	12	4.76	4.4	4	8		•

MH - 10° chipbreaker for heavy cutting  
MM - 15° chipbreaker for medium cutting  
ML - 18° chipbreaker for light cutting