

Thank you for buying the Zebra F17 Muscle Series Coalescer. It can provide you with many years of dependable service, using parts that can be used again and again.

The only consumable component of the F17 units (besides optional particle filters) is the centrifugal pump. This pump is responsible for creating a constant flow of fluid from the surface of your sump into the coalescer. It has to deal with coolant, oils, biofilms, and chips. The extraordinary demands we make upon the pump take their toll, sometimes resulting in poor performance or premature pump failure.

These pumps weren't built to move heavy chip loads, but as pond pumps. Why do we use them? Because going to the next level of industrial alternatives costs about \$500 to \$1000 more. If you're on a budget and take the proper precautions, you can expect many years of service from the FXP11.1 and the FZ17 Muscle it powers.

## INSTALLATION INSTRUCTIONS FOR FXP11.1

- **Make sure it's oriented properly.** Discharge port pointing up, incoming fitting perfectly horizontal. Any deviation helps air get trapped in the hose or volute (Item 3 in the parts diagram) causing the pump to lose its prime, immediately impacting performance and lessening its effective life.
- **Prime the pump.** It's critical that the pump has a steady supply of fluid reaching the impellers. All pumps are designed to operate under a load. If air becomes trapped anywhere, this causes the pump to wear prematurely.
- **Don't feed it chips,** especially small pointy ones. These will tend to catch underneath the impeller (Item 5 in the parts diagram) and stop the pump – again lessening its life. Many returned pumps work perfectly once we take them apart and clean out all the chips from underneath the impeller.
- **Clean out any prefilters and skimmer screens regularly,** or there's a good chance that the pump will be starved of fluid again. With care your pump will last years.



### Warranty

- 90-Day warranty on parts
- Any use of this product outside the suggested parameters voids the warranty

For any technical questions or product support, please contact us at 888.249.4855.



### Zebra Skimmers Corporation

27000 Richmond Road #1 | Solon, OH 44139 | Toll Free: 888.249.4855 | Fax: 440-349-1211  
sales@zebraskimmers.com | [www.zebraskimmers.com](http://www.zebraskimmers.com)

## TROUBLESHOOTING YOUR PUMP. DO THE FOLLOWING IN THIS ORDER:

**Step 1:** Remove it from the sump and clean the exterior.

**Step 2.** Remove the clamp that holds the discharge hose to the discharge fitting. We recommend using large diagonal cutters to cut the clamps across their 'ears.'

**Step 3.** Remove the skimmer screwed into the pump intake fitting.

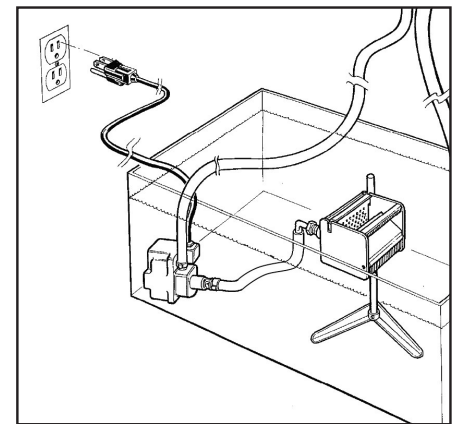
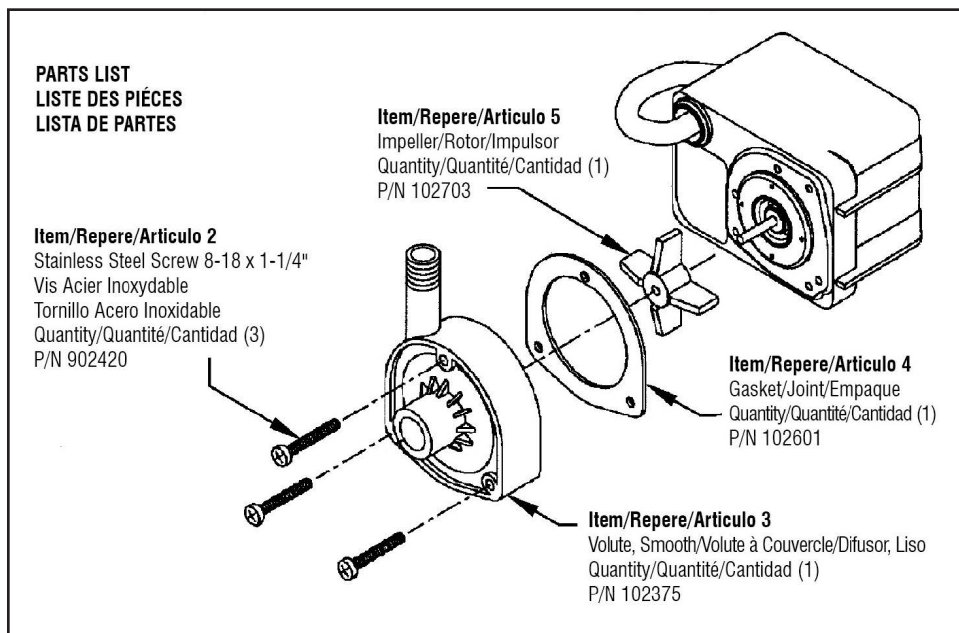
**Step 4.** Plug the pump into a GFI enabled outlet and listen carefully to hear if the impeller spins.

**Step 5.** If the impeller does NOT spin, then unscrew the 3 screws (Item 2 in the parts diagram) holding the volute and remove the parts. Make sure to clean underneath the impeller. You can retest the pump without replacing the volute or impeller.

**Step 6.** If the pump still does not work, contact us for phone support. If your pump is under warranty, we will issue you a return number and send you a new or repaired pump at no charge AFTER receiving your original pump.

**Step 7.** When you receive your replacement pump, confirm that it works by operating it in a bucket or sink. Then assemble it into your system. Test it to make sure it's installed properly and working as designed.

**Step 8.** If your situation is extremely urgent, we may ship you a replacement pump before receiving your original pump. We will still expect you to return your pump to us using a return number. We will conduct tests to determine why it failed. If the pump is in good working order, we will ship the pump back to you. We will then bill your distributor for the new replacement pump and all shipping costs.



**Zebra Skimmers Corporation**

27000 Richmond Road #1 | Solon, OH 44139 | Toll Free: 888.249.4855 | Fax: 440-349-1211  
sales@zebraskimmers.com | [www.zebraskimmers.com](http://www.zebraskimmers.com)