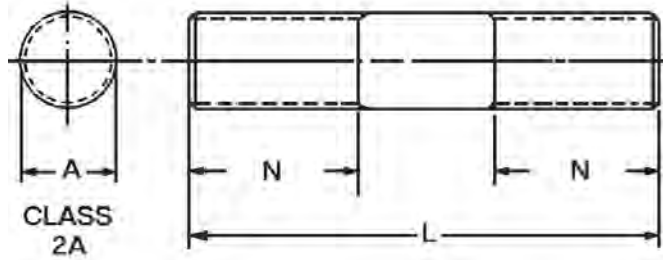


Alloy Steel Studs

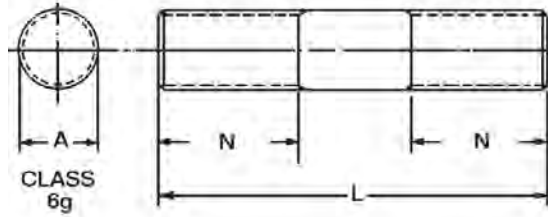


- Material: Stressproof® (125,000 psi Min.) Tensile (100,000 psi Min.) Yield
- Finish: Black Oxide
- Available in metric sizes. See the next page.

Longer or special studs are available upon request. Please send your print or sketch to our Customer Service Department.

| Thread A | L | Part Number | N | Wt. (lbs) 10 Pcs. | Thread A | L | Part Number | N | Wt. (lbs) 10 Pcs. |
|----------|-------|-------------|-------|-------------------|----------|-------|-------------|---------|-------------------|
| 1/4-20 | 1 1/2 | 37720 | 7/16 | .21 | 5/8-11 | 2 1/2 | 38520 | 13/16 | 2.12 |
| 1/4-20 | 2 | 37721 | 11/16 | .28 | 5/8-11 | 3 | 38521 | 1 1/16 | 2.55 |
| 1/4-20 | 2 1/2 | 37722 | 15/16 | .35 | 5/8-11 | 3 1/2 | 38522 | 1 5/16 | 2.97 |
| 1/4-20 | 3 | 37723 | 1 | .42 | 5/8-11 | 4 | 38523 | 1 9/16 | 3.40 |
| 1/4-20 | 3 1/2 | 37724 | 1 | .49 | 5/8-11 | 4 1/2 | 38524 | 1 3/4 | 3.82 |
| 1/4-20 | 4 | 37725 | 1 | .56 | 5/8-11 | 5 | 38525 | 1 3/4 | 3.25 |
| 5/16-18 | 1 1/2 | 37920 | 7/16 | .33 | 5/8-11 | 5 1/2 | 38526 | 1 3/4 | 4.68 |
| 5/16-18 | 2 | 37921 | 11/16 | .44 | 5/8-11 | 6 | 38527 | 1 3/4 | 5.10 |
| 5/16-18 | 2 1/2 | 37922 | 15/16 | .55 | 5/8-11 | 7 | 38529 | 1 3/4 | 5.90 |
| 5/16-18 | 3 | 37923 | 1 1/8 | .66 | 5/8-11 | 8 | 38531 | 1 3/4 | 6.80 |
| 5/16-18 | 3 1/2 | 37924 | 1 1/8 | .77 | 5/8-11 | 9 | 38532 | 1 3/4 | 7.60 |
| 5/16-18 | 4 | 37925 | 1 1/8 | .88 | 5/8-11 | 10 | 38533 | 1 3/4 | 8.50 |
| 3/8-16 | 1 1/2 | 38120 | 3/8 | .54 | 5/8-11 | 12 | 38534 | 1 3/4 | 10.20 |
| 3/8-16 | 2 | 38121 | 5/8 | .62 | 3/4-10 | 3 | 38721 | 15/16 | 3.75 |
| 3/8-16 | 2 1/2 | 38122 | 7/8 | .77 | 3/4-10 | 3 1/2 | 38722 | 1 3/16 | 4.35 |
| 3/8-16 | 3 | 38123 | 1 1/8 | .93 | 3/4-10 | 4 | 38723 | 1 7/16 | 5.00 |
| 3/8-16 | 3 1/2 | 38124 | 1 1/4 | 1.10 | 3/4-10 | 4 1/2 | 38724 | 1 11/16 | 5.60 |
| 3/8-16 | 4 | 38125 | 1 1/4 | 1.24 | 3/4-10 | 5 | 38725 | 1 15/16 | 6.20 |
| 3/8-16 | 4 1/2 | 38126 | 1 1/4 | 1.39 | 3/4-10 | 5 1/2 | 38726 | 2 | 6.90 |
| 3/8-16 | 5 | 38127 | 1 1/4 | 1.55 | 3/4-10 | 6 | 38727 | 2 | 7.50 |
| 3/8-16 | 5 1/2 | 38128 | 1 1/4 | 1.71 | 3/4-10 | 7 | 38729 | 2 | 8.75 |
| 3/8-16 | 6 | 38129 | 1 1/4 | 1.86 | 3/4-10 | 8 | 38731 | 2 | 10.00 |
| 3/8-16 | 7 | 38131 | 1 1/4 | 2.27 | 3/4-10 | 10 | 38733 | 2 | 12.50 |
| 3/8-16 | 8 | 38133 | 1 1/4 | 2.48 | 3/4-10 | 12 | 38734 | 2 | 15.00 |
| 1/2-13 | 2 | 38321 | 5/8 | 1.10 | 7/8-9 | 4 | 38922 | 1 13/32 | 6.80 |
| 1/2-13 | 2 1/2 | 38322 | 7/8 | 1.37 | 7/8-9 | 5 | 38923 | 1 29/32 | 8.50 |
| 1/2-13 | 3 | 38323 | 1 1/8 | 1.65 | 7/8-9 | 6 | 38924 | 2 1/4 | 10.20 |
| 1/2-13 | 3 1/2 | 38324 | 1 3/8 | 1.92 | 7/8-9 | 8 | 38925 | 2 1/4 | 13.60 |
| 1/2-13 | 4 | 38325 | 1 1/2 | 2.20 | 7/8-9 | 10 | 38926 | 2 1/4 | 17.00 |
| 1/2-13 | 4 1/2 | 38326 | 1 1/2 | 2.47 | 7/8-9 | 12 | 38927 | 2 1/4 | 20.40 |
| 1/2-13 | 5 | 38327 | 1 1/2 | 2.75 | 1-8 | 4 | 39122 | 1 3/8 | 8.80 |
| 1/2-13 | 5 1/2 | 38328 | 1 1/2 | 3.02 | 1-8 | 5 | 39123 | 1 7/8 | 11.00 |
| 1/2-13 | 6 | 38329 | 1 1/2 | 3.30 | 1-8 | 6 | 39124 | 2 3/8 | 13.20 |
| 1/2-13 | 7 | 38331 | 1 1/2 | 3.85 | 1-8 | 8 | 39125 | 2 1/2 | 17.60 |
| 1/2-13 | 8 | 38333 | 1 1/2 | 4.40 | 1-8 | 10 | 39126 | 2 1/2 | 22.00 |
| 1/2-13 | 9 | 38334 | 1 1/2 | 4.95 | 1-8 | 12 | 39127 | 2 1/2 | 26.40 |
| 1/2-13 | 10 | 38335 | 1 1/2 | 5.50 | | | | | |
| 1/2-13 | 12 | 38336 | 1 1/2 | 6.60 | | | | | |

Studs Metric



- Material: Stressproof®
862 Tensile (MPa)
689 Yield (MPa)
- Finish: Black Oxide
- Longer or special studs are available on request

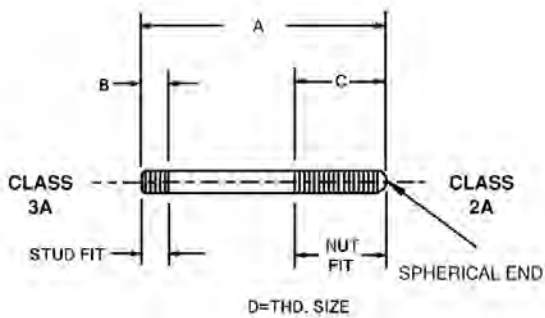
| Thread A | L | Part Number | N | Wt. (kg) |
|------------|-----|--------------|----|----------|
| M6 x 1.0 | 50 | 37771 | 18 | .04 |
| M6 x 1.0 | 66 | 37772 | 25 | .06 |
| M6 x 1.0 | 81 | 37773 | 28 | .06 |
| M6 x 1.0 | 96 | 37774 | 28 | .09 |
| M8 x 1.25 | 50 | 37971 | 18 | .09 |
| M8 x 1.25 | 66 | 37972 | 25 | .11 |
| M8 x 1.25 | 81 | 37973 | 32 | .13 |
| M8 x 1.25 | 96 | 37974 | 32 | .15 |
| M8 x 1.25 | 111 | 37975 | 32 | .18 |
| M10 x 1.5 | 50 | 38171 | 16 | .13 |
| M10 x 1.5 | 66 | 38172 | 23 | .18 |
| M10 x 1.5 | 80 | 38173 | 30 | .20 |
| M10 x 1.5 | 95 | 38174 | 35 | .24 |
| M10 x 1.5 | 110 | 38175 | 35 | .29 |
| M10 x 1.5 | 125 | 38176 | 39 | .31 |
| M10 x 1.5 | 140 | 38177 | 39 | .35 |
| M10 x 1.5 | 155 | 38178 | 39 | .40 |
| M12 x 1.75 | 50 | 38371 | 16 | .18 |
| M12 x 1.75 | 66 | 38372 | 23 | .24 |
| M12 x 1.75 | 81 | 38373 | 31 | .29 |
| M12 x 1.75 | 95 | 38374 | 40 | .33 |
| M12 x 1.75 | 111 | 38375 | 40 | .40 |
| M12 x 1.75 | 125 | 38376 | 40 | .46 |
| M12 x 1.75 | 141 | 38377 | 40 | .53 |
| M12 x 1.75 | 156 | 38378 | 40 | .55 |
| M16 x 2.0 | 80 | 38571 | 29 | .51 |
| M16 x 2.0 | 95 | 38572 | 36 | .59 |
| M16 x 2.0 | 110 | 38573 | 44 | .70 |
| M16 x 2.0 | 125 | 38574 | 47 | .81 |
| M16 x 2.0 | 150 | 38575 | 47 | 1.00 |
| M16 x 2.0 | 175 | 38576 | 47 | 1.17 |
| M16 x 2.0 | 200 | 38577 | 47 | 1.36 |
| M20 x 2.5 | 81 | 38771 | 30 | .84 |
| M20 x 2.5 | 96 | 38772 | 37 | 1.0 |
| M20 x 2.5 | 111 | 38773 | 45 | 1.14 |
| M20 x 2.5 | 126 | 38774 | 52 | 1.25 |
| M20 x 2.5 | 151 | 38775 | 48 | 1.54 |
| M20 x 2.5 | 176 | 38776 | 56 | 1.85 |
| M20 x 2.5 | 201 | 38777 | 56 | 2.16 |

All Dimensions in Millimeters.

Fixture Studs Stainless Steel



- Material: 303 Stainless

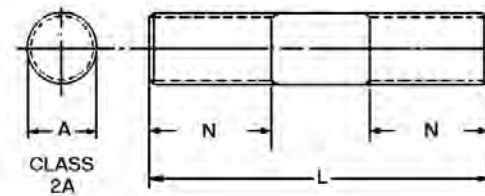


| Part Number | A | Stud Fit B | Nut Fit C | Thread |
|-------------|-------|------------|-----------|---------|
| 37601 | 1 | 7/32 | 1/2 | 10-32 |
| 37602 | 1 1/2 | 7/32 | 3/4 | 10-32 |
| 37603 | 2 | 7/32 | 3/4 | 10-32 |
| 37802 | 1 1/2 | 9/32 | 5/8 | 1/4-20 |
| 37804 | 2 | 9/32 | 3/4 | 1/4-20 |
| 37806 | 2 1/2 | 9/32 | 3/4 | 1/4-20 |
| 37808 | 3 | 9/32 | 1 | 1/4-20 |
| 38002 | 1 1/2 | 11/32 | 5/8 | 5/16-18 |
| 38004 | 2 | 11/32 | 1 | 5/16-18 |
| 38006 | 2 1/2 | 11/32 | 1 1/4 | 5/16-18 |
| 38008 | 3 | 11/32 | 1 3/8 | 5/16-18 |
| 38009 | 3 1/2 | 11/32 | 1 1/2 | 5/16-18 |
| 38010 | 4 | 11/32 | 1 1/2 | 5/16-18 |
| 38201 | 1 5/8 | 11/32 | 3/4 | 3/8-16 |
| 38202 | 2 | 11/32 | 1 | 3/8-16 |
| 38204 | 2 1/2 | 11/32 | 1 1/4 | 3/8-16 |
| 38206 | 3 | 11/32 | 1 3/8 | 3/8-16 |
| 38207 | 3 1/2 | 11/32 | 1 1/2 | 3/8-16 |
| 38208 | 4 | 11/32 | 1 1/2 | 3/8-16 |

Set-Up Studs Stainless Steel



- Material: 303 Stainless



| Part Number | Thread A | L | N |
|-------------|----------|-------|-------|
| 38421 | 1/2-13 | 2 | 3/4 |
| 38422 | 1/2-13 | 2 1/2 | 1 1/8 |
| 38423 | 1/2-13 | 3 | 1 3/8 |
| 38424 | 1/2-13 | 3 1/2 | 1 1/2 |
| 38425 | 1/2-13 | 4 | 1 1/2 |
| 38426 | 1/2-13 | 4 1/2 | 1 1/2 |
| 38427 | 1/2-13 | 5 | 1 1/2 |
| 38428 | 1/2-13 | 5 1/2 | 1 1/2 |
| 38429 | 1/2-13 | 6 | 1 1/2 |
| 38431 | 1/2-13 | 7 | 1 1/2 |
| 38433 | 1/2-13 | 8 | 1 1/2 |
| 38434 | 1/2-13 | 9 | 1 1/2 |
| 38435 | 1/2-13 | 10 | 1 1/2 |
| 38436 | 1/2-13 | 12 | 1 1/2 |

| Part Number | Thread A | L | N |
|-------------|----------|-------|-------|
| 38620 | 5/8-11 | 2 1/2 | 1 1/8 |
| 38621 | 5/8-11 | 3 | 1 3/8 |
| 38622 | 5/8-11 | 3 1/2 | 1 3/4 |
| 38623 | 5/8-11 | 4 | 1 3/4 |
| 38624 | 5/8-11 | 4 1/2 | 1 3/4 |
| 38625 | 5/8-11 | 5 | 1 3/4 |
| 38626 | 5/8-11 | 5 1/2 | 1 3/4 |
| 38627 | 5/8-11 | 6 | 1 3/4 |
| 38629 | 5/8-11 | 7 | 1 3/4 |
| 38631 | 5/8-11 | 8 | 1 3/4 |
| 38632 | 5/8-11 | 9 | 1 3/4 |
| 38633 | 5/8-11 | 10 | 1 3/4 |
| 38634 | 5/8-11 | 12 | 1 3/4 |

| Part Number | Thread A | L | N |
|-------------|----------|-------|-------|
| 38821 | 3/4-10 | 3 | 1 3/8 |
| 38822 | 3/4-10 | 3 1/2 | 1 1/2 |
| 38823 | 3/4-10 | 4 | 1 3/4 |
| 38824 | 3/4-10 | 4 1/2 | 2 |
| 38825 | 3/4-10 | 5 | 2 |
| 38826 | 3/4-10 | 5 1/2 | 2 |
| 38827 | 3/4-10 | 6 | 2 |
| 38829 | 3/4-10 | 7 | 2 |
| 38831 | 3/4-10 | 8 | 2 |
| 38833 | 3/4-10 | 10 | 2 |
| 38834 | 3/4-10 | 12 | 2 |