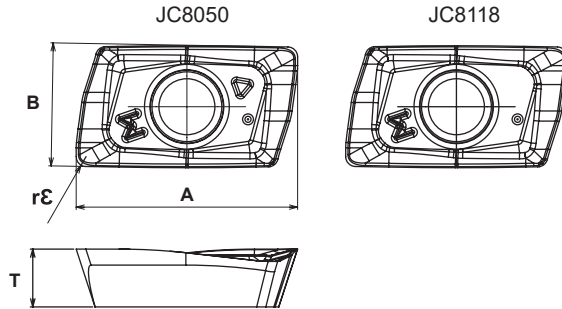


INSERTS



CATALOG NUMBER	TOLERANCE	DIMENSIONS				PVD COATED		UNCOATED
		A	B	T	rE	JC8050	JC8118	FC18
ZOMT160504ZER-PM	M	.709	.394	.185	.015	★	★	
ZOMT160508ZER-PM		.709	.394	.185	.031	•	•	
ZOMT160516ZER-PM		.709	.394	.185	.062	•	•	
ZOMT160520ZER-PM		.709	.394	.185	.078	★	★	
ZOET160530ZER-PM		.709	.394	.185	.118	★	★	
ZOET160508ZER-PM	E	.709	.394	.185	.062	★	★	
ZOET160508ZFR-NL		.709	.394	.185	.062			★

★ Coming soon