



SIC-EVO

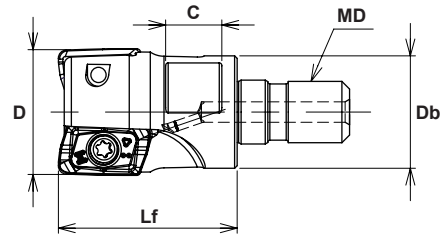
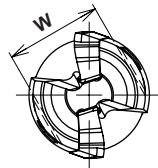
INCH

METRIC

MODULAR HEADS

SSV type

With coolant hole



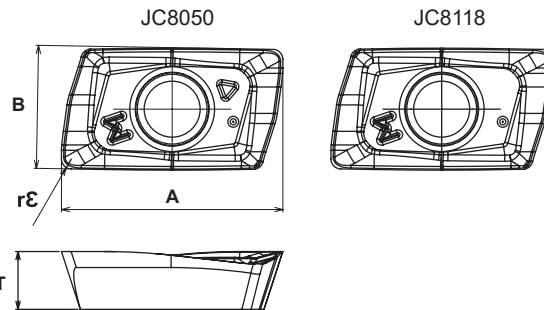
Specifications

	CATALOG NUMBER	STK	DIMENSIONS						Q	INSERT	PARTS Screw & Wrench
			D	Lf	Db	MD	C	W			
INCH	SSV-2100-M12	•	1.00	1.38	0.95	M12	11	19	2	ZOMT1605**ZER-PM ZOET160508ZER-PM ZOET160508ZFR-NL	DSW-4075H T-15
	SSV-3125-M16	•	1.25	1.69	1.10	M16	12	22	3		
	SSV-4150-M16	•	1.50	1.69	1.10	M16	12	22	4		
METRIC	SSV-2025-M12	⊙	25	35	22	M12	11	19	2		
	SSV-2028-M12	⊙	28	35	22	M12	11	19	2		
	SSV-3030-M16	⊙	30	43	29	M16	12	22	3		
	SSV-3032-M16	⊙	32	43	29	M16	12	22	3		
	SSV-3035-M16	⊙	35	43	29	M16	12	22	3		
	SSV-4040-M16	⊙	40	43	29	M16	12	22	4		

⊙ - delivery may be longer

Note: All cutters supplied without inserts, wrench, & moly.

INSERTS



CATALOG NUMBER	TOLERANCE	DIMENSIONS				PVD COATED		UNCOATED
		A	B	T	rE	JC8050	JC8118	FC18
ZOMT160504ZER-PM	M	.709	.394	.185	.015	★	★	
ZOMT160508ZER-PM		.709	.394	.185	.031	•	•	
ZOMT160516ZER-PM		.709	.394	.185	.062	•	•	
ZOMT160520ZER-PM		.709	.394	.185	.078	★	★	
ZOET160530ZER-PM		.709	.394	.185	.118	★	★	
ZOET160508ZER-PM	E	.709	.394	.185	.062	★	★	
ZOET160508ZFR-NL		.709	.394	.185	.062			★

★ Coming soon